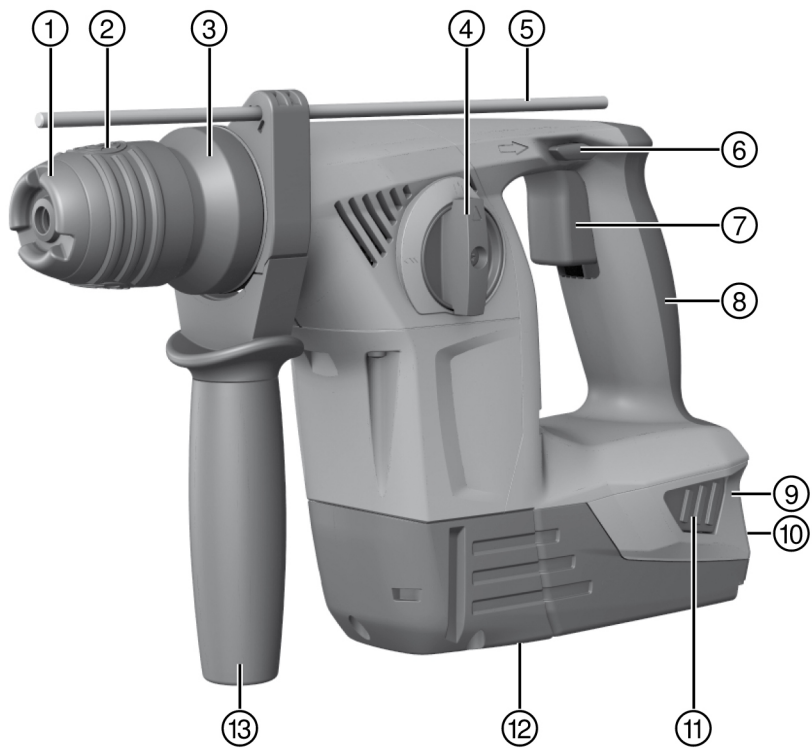
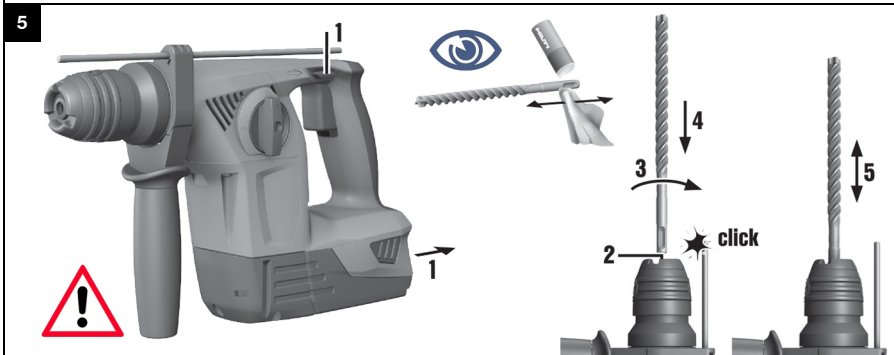
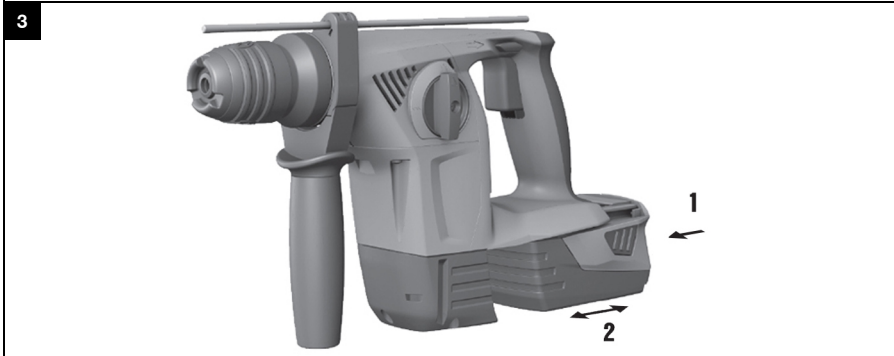
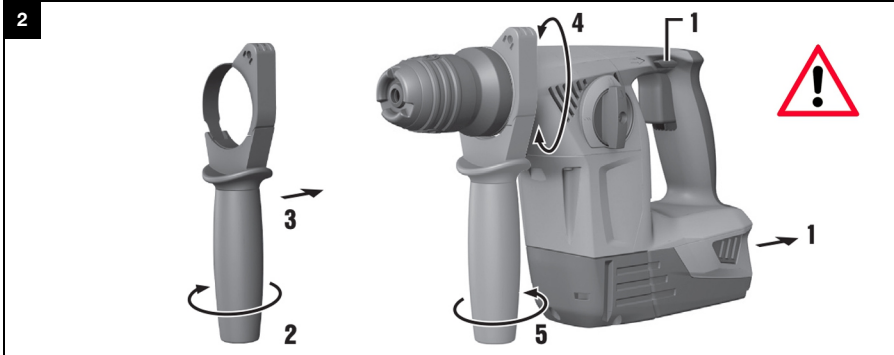




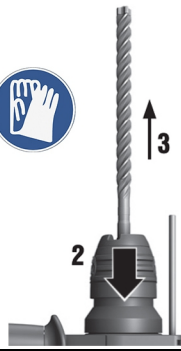
TE 4-A22

English	1
Français	11
Dansk	21
Svenska	31
Norsk	41
Suomi	51
Eesti	61
Latviešu	70
Lietuvių	81
Русский	91
Українська	102
Қазақ	114
Ελληνικά	125
Türkçe	136
عربي	147
日本語	158
한국어	168
繁體中文	177
中文	186

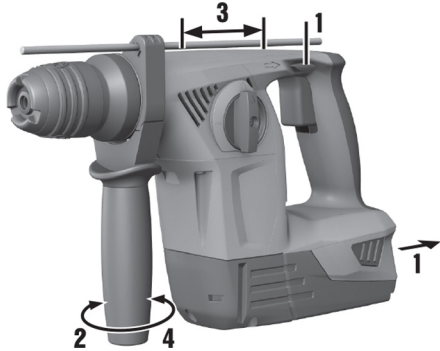




6



7



8



Original operating instructions

1 Information about the documentation

1.1 About this documentation

- Read this documentation before initial operation or use. This is a prerequisite for safe, trouble-free handling and use of the product.
- Observe the safety instructions and warnings in this documentation and on the product.
- Always keep the operating instructions with the product and make sure that the operating instructions are with the product when it is given to other persons.

1.2 Explanation of symbols used

1.2.1 Warnings

Warnings alert persons to hazards that occur when handling or using the product. The following signal words are used:

DANGER

DANGER !

- ▶ Draws attention to imminent danger that will lead to serious personal injury or fatality.

WARNING

WARNING !

- ▶ Draws attention to a potential threat of danger that can lead to serious injury or fatality.

CAUTION

CAUTION !

- ▶ Draws attention to a potentially dangerous situation that could lead to personal injury or damage to the equipment or other property.

1.2.2 Symbols in the documentation

The following symbols are used in this document:

	Read the operating instructions before use.
	Instructions for use and other useful information
	Dealing with recyclable materials
	Do not dispose of electric equipment and batteries as household waste

1.2.3 Symbols in the illustrations

The following symbols are used in illustrations:

	These numbers refer to the corresponding illustrations found at the beginning of these operating instructions
	The numbering reflects the sequence of operations shown in the illustrations and may deviate from the steps described in the text
	Item reference numbers are used in the overview illustrations and refer to the numbers used in the product overview section
	This symbol is intended to draw special attention to certain points when handling the product.



1.3 Product-dependent symbols

1.3.1 Symbols on the product

The following symbols can be used on the product:

	Drilling without hammer action
	Drilling with hammer action (hammer drilling)
	Forward / reverse
	Protection class II (double-insulated)
n_0	Rated speed under no load
	Direct current (DC)
Li-Ion	Li-ion battery
	Hilti Li-ion battery type series used. Observe the information given in the section headed Intended use .
	Never use the battery as a striking tool.
	Do not drop the battery. Never use a battery that has suffered an impact or is damaged in any other way.
	The power tool supports near-field communication (NFC) technology, which is compatible with iOS and Android platforms.

1.4 Product information

products are designed for professional users and only trained, authorized personnel are permitted to operate, service and maintain the products. This personnel must be specifically informed about the possible hazards. The product and its ancillary equipment can present hazards if used incorrectly by untrained personnel or if used not in accordance with the intended use.

The type designation and serial number are printed on the rating plate.

- ▶ Write down the serial number in the table below. You will be required to state the product details when contacting Hilti Service or your local Hilti organization to inquire about the product.

Product information

Rotary hammer	TE 4-A22
Generation	02
Serial no.	

1.5 Declaration of conformity

We declare, on our sole responsibility, that the product described here complies with the applicable directives and standards. A copy of the declaration of conformity can be found at the end of this documentation.

The technical documentation is filed and stored here:

Hilti Entwicklungsgesellschaft mbH | Tool Certification | Hiltistraße 6 | 86916 Kaufering, DE

2 Safety

2.1 General power tool safety warnings

WARNING

Read all safety warnings and all instructions. Failure to follow the warnings and instructions may result in electric shock, fire and/or serious injury.

Save all warnings and instructions for future reference.

Work area safety

- ▶ **Keep work area clean and well lit.** Cluttered or dark areas invite accidents.



- ▶ **Do not operate power tools in explosive atmospheres, such as in the presence of flammable liquids, gases or dust.** Power tools create sparks which may ignite the dust or fumes.
- ▶ **Keep children and bystanders away while operating a power tool.** Distractions can cause you to lose control.

Electrical safety

- ▶ **Avoid body contact with earthed or grounded surfaces, such as pipes, radiators, ranges and refrigerators.** There is an increased risk of electric shock if your body is earthed or grounded.
- ▶ **Do not expose power tools to rain or wet conditions.** Water entering a power tool will increase the risk of electric shock.

Personal safety

- ▶ **Stay alert, watch what you are doing and use common sense when operating a power tool. Do not use a power tool while you are tired or under the influence of drugs, alcohol or medication.** A moment of inattention while operating power tools may result in serious personal injury.
- ▶ **Use personal protective equipment. Always wear eye protection.** Protective equipment such as dust mask, non-skid safety shoes, hard hat, or hearing protection used for appropriate conditions will reduce personal injuries.
- ▶ **Prevent unintentional starting. Ensure the switch is in the off-position before connecting to battery pack, picking up or carrying the tool.** Carrying power tools with your finger on the switch or energising power tools that have the switch on invites accidents.
- ▶ **Remove any adjusting key or wrench before turning the power tool on.** A wrench or a key left attached to a rotating part of the power tool may result in personal injury.
- ▶ **Do not overreach. Keep proper footing and balance at all times.** This enables better control of the power tool in unexpected situations.
- ▶ **Dress properly. Do not wear loose clothing or jewellery. Keep your hair, clothing and gloves away from moving parts.** Loose clothes, jewellery or long hair can be caught in moving parts.
- ▶ **If devices are provided for the connection of dust extraction and collection facilities, ensure these are connected and properly used.** Use of dust collection can reduce dust-related hazards.

Power tool use and care

- ▶ **Do not force the power tool. Use the correct power tool for your application.** The correct power tool will do the job better and safer at the rate for which it was designed.
- ▶ **Do not use the power tool if the switch does not turn it on and off.** Any power tool that cannot be controlled with the switch is dangerous and must be repaired.
- ▶ **Disconnect the battery pack from the power tool before making any adjustments, changing accessories, or storing power tools.** Such preventive safety measures reduce the risk of starting the power tool accidentally.
- ▶ **Store idle power tools out of the reach of children and do not allow persons unfamiliar with the power tool or these instructions to operate the power tool.** Power tools are dangerous in the hands of untrained users.
- ▶ **Maintain power tools. Check for misalignment or binding of moving parts, breakage of parts and any other condition that may affect the power tool's operation. If damaged, have the power tool repaired before use.** Many accidents are caused by poorly maintained power tools.
- ▶ **Keep cutting tools sharp and clean.** Properly maintained cutting tools with sharp cutting edges are less likely to bind and are easier to control.
- ▶ **Use the power tool, accessories and tool bits etc. in accordance with these instructions, taking into account the working conditions and the work to be performed.** Use of the power tool for operations different from those intended could result in a hazardous situation.

Battery tool use and care

- ▶ **Recharge only with the charger specified by the manufacturer.** A charger that is suitable for one type of battery pack may create a risk of fire when used with another battery pack.
- ▶ **Use power tools only with specifically designated battery packs.** Use of any other battery packs may create a risk of injury and fire.
- ▶ **When battery pack is not in use, keep it away from other metal objects, like paper clips, coins, keys, nails, screws or other small metal objects, that can make a connection from one terminal to another.** Shorting the battery terminals together may cause burns or a fire.
- ▶ **Under abusive conditions, liquid may be ejected from the battery; avoid contact. If contact accidentally occurs, flush with water. If liquid contacts eyes, additionally seek medical help.** Liquid ejected from the battery may cause irritation or burns.



Service

- ▶ **Have your power tool serviced by a qualified repair person using only identical replacement parts.** This will ensure that the safety of the power tool is maintained.

2.2 Additional safety instructions for rotary hammer drill**Personal safety**

- ▶ Use the product and accessories only when they are in perfect working order.
- ▶ Never tamper with or modify the product or accessories in any way.
- ▶ Use auxiliary grips supplied with the product. Loss of control can cause personal injury.
- ▶ Apply appropriate safety measures at the opposite side of the workpiece in work that involves breaking through. Parts breaking away could fall out and / or fall down causing injury to other persons.
- ▶ Always hold the tool with both hands on the grips provided. Keep the grips clean and dry.
- ▶ Hold the product by the insulated gripping surfaces when performing work in which the accessory tool might come into contact with concealed wiring. If the accessory tool comes into contact with a live wire, metal parts of the power tool can also become live, resulting in an electric shock.
- ▶ Do not touch rotating parts – risk of injury!
- ▶ Wear eye protection, a hard hat and ear protection and suitable respiratory protection while the product is in use.
- ▶ Wear protective gloves when changing the accessory tool. Touching the accessory tool can result in cuts and burns.
- ▶ Wear eye protection. Flying fragments can injure the body and eyes.
- ▶ Dust produced by grinding, sanding, cutting and drilling can contain dangerous chemicals. Some examples are: lead or lead-based paints; brick, concrete and other masonry products, natural stone and other products containing silicates; certain types of wood, such as oak, beech and chemically treated wood; asbestos or materials that contain asbestos. Determine the exposure of the operator and bystanders by means of the hazard classification of the materials to be worked. Implement the necessary measures to restrict exposure to a safe level, for example by the use of a dust collection system or by the wearing of suitable respiratory protection. The general measures for reducing exposure include:
 - ▶ working in an area that is well ventilated,
 - ▶ avoidance of prolonged contact with dust,
 - ▶ directing dust away from the face and body,
 - ▶ wearing protective clothing and washing exposed areas of the skin with water and soap.
- ▶ Take frequent breaks and do physical exercises to improve the blood circulation in your fingers. High vibration during long periods of work can lead to disorders of the blood vessels and nervous system in the fingers, hands and wrists.

Electrical safety

- ▶ Before beginning work, check the working area for concealed electric cables or gas and water pipes. External metal parts of the product could give you an electric shock or cause an explosion if you accidentally damage an electric cable or a gas or water pipe.

Power tool use and care

- ▶ Switch the product off immediately if the accessory tool jams. The product might twist off-line.
- ▶ Wait until the product has come to a complete stop before you lay it down.

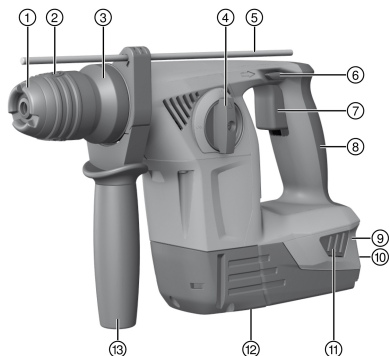
2.3 Careful handling and use of batteries

- ▶ Observe the special guidelines applicable to the transport, storage and use of lithium-ion batteries.
- ▶ Do not expose batteries to high temperatures, direct sunlight or fire.
- ▶ Do not disassemble, crush or incinerate batteries and do not subject them to temperatures over 80 °C (176 °F).
- ▶ Do not use or charge batteries that have suffered mechanical impact, have been dropped from a height or show signs of damage. In this case, always contact your **Hilti Service**.
- ▶ If the battery is too hot to touch it may be defective. Put the battery in a place where it is clearly visible and where there is no risk of fire, at an adequate distance from flammable materials. Allow the battery to cool down. If it is still too hot to touch after an hour, the battery is faulty. Contact **Hilti Service**.



3 Description

3.1 Parts, operating controls and indicators



- ① Dust shield
- ② Chuck
- ③ Accessory tool release
- ④ Function selector switch
- ⑤ Depth gauge
- ⑥ Forward / reverse switch with switch-on interlock
- ⑦ Control switch
- ⑧ Grip
- ⑨ Battery
- ⑩ Charge state and fault display (Li-ion battery)
- ⑪ Battery release buttons
- ⑫ Connection for the TE DRS-4-A(01) dust removal module
- ⑬ Side handle

3.2 Intended use

The product described is a battery-powered rotary hammer. It is designed for hammer drilling in concrete and masonry, for drilling in steel, wood and masonry and for driving and removing screws.

- Use only **Hilti** lithium-ion batteries of the B 22 series with this product.
- Use only **Hilti**-approved battery chargers to charge these batteries. More information is available from your **Hilti Store** or from www.hilti.group

3.3 Lithium-ion battery status display

When the lithium-ion battery is used the charge status can be displayed by tapping one of the battery release buttons.

Status	Meaning
4 LEDs light.	Charge status: 75 % to 100 %
3 LEDs light.	Charge status: 50 % to 75 %
2 LEDs light.	Charge status: 25 % to 50 %
1 LED lights.	Charge status: 10 % to 25 %
1 LED blinks.	Charge status: < 10 %

Indication of the charge status is not possible while the power tool is in operation or immediately after operation. If the battery charge status LEDs flash, please refer to the information given in the Troubleshooting section.

3.4 Items supplied

Rotary hammer, side handle, depth gauge, operating instructions.

The TE DRS-4-A (01) dust removal module greatly reduces dust emissions and is available as an accessory.



4 Technical data

4.1 Rotary hammer

	TE 4-A22
Weight in accordance with EPTA Procedure 01 including B228.0 battery	3.9 kg
Single impact energy in accordance with EPTA procedure 05/2009	2 J
Drilling diameter range in concrete/masonry (hammer drilling)	4 mm ... 28 mm
Drilling diameter range in wood (solid)	3 mm ... 20 mm
Drilling diameter range in metal (solid-head drill bit)	3 mm ... 10 mm

4.2 Noise information and vibration values

The sound pressure and vibration values given in these instructions have been measured in accordance with a standardized test and may be used to compare one electric tool with another. They may be used for a preliminary assessment of exposure. The data given represents the main applications of the electric tool. However, if the electric tool is used for different applications, with different accessory tools, or is poorly maintained, the data may vary. This may significantly increase exposure over the total working period. An accurate estimation of exposure should also take into account the times when the power tool is switched off, or when it is running but not actually being used for a job. This may significantly reduce exposure over the total working period. Identify additional safety measures to protect the operator from the effects of noise and/or vibration, for example: maintenance of the electric tool and the accessories, keeping the hands warm, organization of work patterns.

Noise emission values determined in accordance with EN 60745

Sound (power) level (L_{WA})	99 dB(A)
Uncertainty for the sound power level (K_{WA})	3 dB(A)
Emission sound pressure level (L_{pA})	88 dB(A)
Uncertainty for the sound pressure level (K_{pA})	3 dB(A)

Total vibration determined in accordance with EN 60745

Hammer drilling in concrete ($a_{h, HD}$)	11 m/s ²
Uncertainty (K)	1.5 m/s ²

4.3 Battery

Battery operating voltage	21.6 V
Ambient temperature for operation	-17 °C ... 60 °C
Storage temperature	-20 °C ... 40 °C
Battery charging starting temperature	-10 °C ... 45 °C

5 Operation

5.1 Preparations at the workplace

WARNING

Risk of injury by inadvertent starting!

- ▶ Before inserting the battery, make sure that the product is switched off.
- ▶ Remove the battery before making any adjustments to the power tool or before changing accessories.

Observe the safety instructions and warnings in this documentation and on the product.

5.1.1 Fitting the side handle

1. Release the side handle clamping band by turning the handle grip.



2. Slide the side handle clamping band over the chuck from the front and into the recess provided.
3. Bring the side handle into the desired position.
4. Tighten the side handle clamping band by turning the handle grip.

5.1.2 Fitting the battery

1. Push the battery into the battery interface on the tool until it is heard to engage with a click.
2. Check that the battery is seated securely.

5.1.3 Removing the battery

1. Press the release buttons on the battery.
2. Pull the battery out toward the rear.

5.1.4 Fitting the accessory tool

1. Apply a little grease to the connection end of the accessory tool.
 - ▶ Use only the recommended grease supplied by Hilti. Use of the wrong grease can result in damage to the tool.
2. Push the accessory tool into the chuck as far as it will go (until it engages).
3. After fitting the accessory tool, grip it and pull it in order to check that it is securely engaged.
 - ▶ The product is ready for use.

5.1.5 Removing the accessory tool

CAUTION

Risk of injury by the accessory tool! The accessory tool might be hot or have sharp edges.

- ▶ Wear protective gloves when changing the accessory tool.

- ▶ Pull the chuck back as far as it will go and remove the accessory tool.

5.1.6 Fitting the depth gauge (optional)

1. Release the side handle clamping band by turning the handle grip.
2. Slide the depth gauge from the front into the 2 guide holes provided.
3. Tighten the side handle clamping band by turning the handle grip.

5.2 Types of work

ATTENTION

Risk of damage by incorrect handling!

- ▶ Do not operate the switches for direction of rotation and/or function selection during operation.

Observe the safety instructions and warnings in this documentation and on the product.

5.2.1 Direction of rotation

- ▶ Set the direction of rotation.
 - ▶ The selector switch engages in this position.

5.2.2 Drilling without hammering

- ▶ Set the function selector switch to this symbol:

5.2.3 Hammer drilling

- ▶ Set the function selector switch to this symbol:

6 Care and maintenance

6.1 Care and maintenance

WARNING

Risk of injury with battery inserted !

- ▶ Always remove the battery before carrying out care and maintenance tasks!



Care of the product

- Carefully remove stubborn dirt.
- Carefully clean the air vents, if present, with a dry, soft brush.
- Use only a slightly damp cloth to clean the housing. Do not use cleaning agents containing silicone as these can attack the plastic parts.
- Use a dry, clean cloth to clean the contacts of the product.

Care of the Li-ion batteries

- Never use a battery with clogged air vents. Clean the air vents carefully using a dry, soft brush.
- Avoid unnecessary exposure of the battery to dust and dirt. Never expose the battery to high levels of moisture (e.g. by being dipped in water or left in the rain).
If a battery has been soaked by moisture, treat it as a damaged battery. Isolate it in a non-flammable container and consult **Hilti Service**.
- Keep the battery free of extraneous oil and grease. Do not permit dust or dirt to accumulate unnecessarily on the battery. Clean the battery with a dry, soft brush or a clean, dry cloth. Do not use cleaning agents containing silicone as these can attack the plastic parts.
Do not touch the contacts of the battery and do not remove the factory-applied grease from the contacts.
- Use only a slightly damp cloth to clean the housing. Do not use cleaning agents containing silicone as these can attack the plastic parts.

Maintenance

- Check all visible parts and controls for signs of damage at regular intervals and make sure that they all function correctly.
- Do not use the product if signs of damage are found or if parts malfunction. Immediately have the product repaired by **Hilti Service**.
- After cleaning and maintenance, install all guards and protective devices and check that they are in full working order.



To help ensure safe and reliable operation, use only genuine Hilti spare parts and consumables. Spare parts, consumables and accessories approved by **Hilti** for use with your product can be found at your **Hilti Store** or online at: www.hilti.group

6.2 Cleaning the dust shield

- ▶ Clean the dust shield on the chuck with a dry, clean cloth at regular intervals.
- ▶ Clean the sealing lip by wiping it carefully and then grease it again lightly with **Hilti** grease.
- ▶ It is essential that the dust shield is replaced if the sealing lip is damaged.

7 Transport and storage**7.1 Transport and storage of cordless tools and batteries****Transport** **CAUTION****Accidental starting during transport !**

- ▶ Always transport your products with the batteries removed!
- ▶ Remove the battery/batteries.
- ▶ Never transport batteries loose and unprotected. During transport, batteries should be protected from excessive shock and vibration and isolated from any conductive materials or other batteries that may come in contact with the terminals and cause a short circuit. **Comply with the locally applicable regulations for transporting batteries.**
- ▶ Do not send batteries through the mail. Consult your shipper for instructions on how to ship undamaged batteries.
- ▶ Prior to each use and before and after prolonged transport, check the product and the batteries for damage.

Storage **WARNING****Accidental damage caused by defective or leaking batteries !**

- ▶ Always store your products with the batteries removed!



- ▶ Store the product and the batteries in a cool and dry place. Comply with the temperature limits stated in the technical data.
- ▶ Do not store batteries on the charger. Always remove the battery from the charger when the charging operation has completed.
- ▶ Never leave batteries in direct sunlight, on sources of heat, or behind glass.
- ▶ Store the product and batteries where they cannot be accessed by children or unauthorized persons.
- ▶ Prior to each use and before and after prolonged storage, check the product and the batteries for damage.

8 Troubleshooting


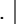
8.1 Troubleshooting

If the trouble you are experiencing is not listed in this table or you are unable to remedy the problem by yourself, please contact **Hilti Service**.



8.2 The rotary hammer is not in working order

Malfunction	Possible cause	Action to be taken
The LEDs indicate nothing.	The battery is not fully inserted.	▶ Push the battery in until it engages with a double click.
	Battery is discharged.	▶ Change the battery and charge the empty battery.
1 LED blinks.	Battery is discharged.	▶ Change the battery and charge the empty battery.
	The battery is too hot or too cold.	▶ Bring the battery to the recommended working temperature.
4 LEDs blink.	The rotary hammer has been overloaded briefly.	▶ Release the control switch and then press it again.

8.3 The rotary hammer is in working order

Trouble or fault	Possible cause	Action to be taken
No hammering action.	The rotary hammer is too cold.	▶ Bring the tip of the drill bit into contact with the working surface, switch the rotary hammer on and allow it to run. If necessary, repeat the procedure until the hammering mechanism begins to operate.
	The function selector switch is set to "Drilling without hammering"  .	▶ Set the function selector switch to "Hammer drilling"  .
	The rotary hammer has been set to reverse rotation.	▶ Move the forward / reverse selector switch to the "Forward" position.
The control switch can't be pressed, i.e. the switch is locked.	The forward / reverse switch is in the middle position.	▶ Push the forward / reverse switch to the right or left.
The drive spindle does not rotate.	The permissible operating temperature of the rotary hammer's electronics has been exceeded.	▶ Allow the rotary hammer to cool down.
	Battery is discharged.	▶ Change the battery and charge the empty battery.
The rotary hammer switches itself off automatically.	The overload cut-out has been activated.	▶ Release the control switch. Allow the rotary hammer to cool down. Press the control switch again. Reduce the load on the tool.



Trouble or fault	Possible cause	Action to be taken
The battery runs down more quickly than usual.	Very low ambient temperature.	▶ Allow the battery to warm up slowly to room temperature.
The battery does not engage with an audible "double click".	The retaining lugs on the battery are dirty.	▶ Clean the retaining lugs and refit the battery.
The rotary hammer or the battery gets very hot.	Electrical fault.	▶ Switch off the rotary hammer immediately. Remove the battery and keep it under observation. Allow it to cool down. Contact Hilti service.
	The rotary hammer has been overloaded (application limit exceeded).	▶ Select a tool that is suitable for its intended use.
The insert tool can't be released.	The chuck is not pulled back fully.	▶ Pull the chuck back as far as it will go and remove the accessory tool.
The tool makes no progress.	The rotary hammer has been set to reverse rotation.	▶ Move the forward / reverse selector switch to the "Forward" position.
	The function selector switch is set to "Drilling without hammering"  .	▶ Set the function selector switch to "Hammer drilling"  .


9 Disposal



WARNING

Risk of injury due to incorrect disposal! Health hazards due to escaping gases or liquids.

- ▶ DO NOT send batteries through the mail!
- ▶ Cover the terminals with a non-conductive material (such as electrical tape) to prevent short circuiting.
- ▶ Dispose of your battery out of the reach of children.
- ▶ Dispose of the battery at your **Hilti Store**, or consult your local governmental garbage disposal or public health and safety resources for disposal instructions.

 Most of the materials from which **Hilti** products are manufactured can be recycled. The materials must be correctly separated before they can be recycled. In many countries, your old tools, machines or appliances can be returned to **Hilti** for recycling. Ask **Hilti** Service or your Hilti sales representative for further information.



- ▶ Do not dispose of power tools, electronic equipment or batteries as household waste!

10 RoHS (Restriction of Hazardous Substances)

Click on the link to go to the table of hazardous substances: qr.hilti.com/r3159232.

There is a link to the RoHS table, in the form of a QR code, at the end of this document.

11 Manufacturer's warranty

- ▶ Please contact your local **Hilti** representative if you have questions about the warranty conditions.



Mode d'emploi original

1 Indications relatives à la documentation

1.1 À propos de cette documentation

- Lire intégralement la présente documentation avant la mise en service. C'est la condition préalablement requise pour assurer la sécurité du travail et un maniement sans perturbations.
- Bien respecter les consignes de sécurité et les avertissements de la présente documentation ainsi que celles figurant sur le produit.
- Toujours conserver le mode d'emploi à proximité du produit et uniquement le transmettre à des tiers avec ce mode d'emploi.

1.2 Explication des symboles

1.2.1 Avertissements

Les avertissements attirent l'attention sur des dangers liés à l'utilisation du produit. Les termes de signalisation suivants sont utilisés :

DANGER

DANGER !

- ▶ Pour un danger imminent qui peut entraîner de graves blessures corporelles ou la mort.

AVERTISSEMENT

AVERTISSEMENT !

- ▶ Pour un danger potentiel qui peut entraîner de graves blessures corporelles ou la mort.

ATTENTION

ATTENTION !

- ▶ Pour une situation potentiellement dangereuse pouvant entraîner des blessures corporelles ou des dégâts matériels.

1.2.2 Symboles dans la documentation

Les symboles suivants sont utilisés dans la présente documentation :

	Lire le mode d'emploi avant d'utiliser l'appareil
	Pour des conseils d'utilisation et autres informations utiles
	Maniement des matériaux recyclables
	Ne pas jeter les appareils électriques et les accus dans les ordures ménagères

1.2.3 Symboles dans les illustrations

Les symboles suivants sont utilisés dans les illustrations :

2	Ces chiffres renvoient à l'illustration correspondante au début du présent mode d'emploi
3	La numérotation détermine la séquence des étapes de travail dans l'image et peut se différencier de celles des étapes de travail dans le texte
11	Les numéros de position sont utilisés dans l'illustration Vue d'ensemble et renvoient aux numéros des légendes dans la section Vue d'ensemble du produit
	Ce signe doit inviter à manier le produit en faisant particulièrement attention.



1.3 Symboles spécifiques au produit

1.3.1 Symboles sur le produit

Les symboles suivants peuvent être utilisés sur le produit :

	Percage sans percussion
	Percage avec percussion
	Sens de rotation droite/gauche
	Classe de protection II (double isolation)
n_0	Vitesse nominale à vide
	Courant continu
Li-Ion	Accu lithium-ions
	Série de type d'accu Li-Ion Hilti utilisée. Observer les instructions au chapitre Utilisation conforme à l'usage prévu .
	Ne jamais utiliser l'accu comme outil de percussion.
	Ne pas laisser tomber l'accu. Ne pas utiliser d'accu ayant subi un choc ou d'autres dommages.
	L'appareil prend en charge la technologie NFC qui est compatible avec les plates-formes iOS et Android.

1.4 Informations produit

Les produits sont destinés aux professionnels et ne doivent être utilisés, entretenus et réparés que par un personnel autorisé et formé. Ce personnel doit être spécialement instruit quant aux dangers inhérents à l'utilisation de l'appareil. Le produit et ses accessoires peuvent s'avérer dangereux s'ils sont utilisés de manière incorrecte par un personnel non qualifié ou de manière non conforme à l'usage prévu.

La désignation du modèle et le numéro de série figurent sur sa plaque signalétique.

- Inscrivez le numéro de série dans le tableau suivant. Les informations produit vous seront demandées lorsque vous contactez nos revendeurs ou services après-vente.

Caractéristiques produit

Perforateur-burineur	TE 4-A22
Génération	02
N° de série	

1.5 Déclaration de conformité

Nous déclarons sous notre seule et unique responsabilité que le produit décrit ici est conforme aux directives et normes en vigueur. Une copie de la Déclaration de conformité se trouve en fin de la présente documentation.

Pour obtenir les documentations techniques, s'adresser à :

Hilti Entwicklungsgesellschaft mbH | Zulassung Geräte | Hiltistraße 6 | 86916 Kaufering, DE

2 Sécurité

2.1 Indications générales de sécurité pour les appareils électriques

AVERTISSEMENT ! Lire et comprendre toutes les consignes de sécurité et instructions. Tout manquement à l'observation des consignes de sécurité et instructions risque de provoquer une électrocution, un incendie et/ou de graves blessures.

Conservez toutes les consignes de sécurité et instructions.



Sécurité sur le lieu de travail

- ▶ **Conserver la zone de travail propre et bien éclairée.** Un lieu de travail en désordre ou mal éclairé augmente le risque d'accidents.
- ▶ **Ne pas faire fonctionner les outils électriques en atmosphère explosive et où se trouvent des liquides, des gaz ou poussières inflammables.** Les outils électriques produisent des étincelles qui peuvent enflammer les poussières ou les fumées.
- ▶ **Maintenir les enfants et les personnes présentes à l'écart pendant l'utilisation de l'outil électroportatif.** En cas d'inattention il y a un risque de perdre le contrôle de l'appareil.

Sécurité relative au système électrique

- ▶ **Éviter les contacts du corps avec des surfaces mises à la terre tels que tuyaux, radiateurs, cuisinières et réfrigérateurs.** Il y a un risque élevé de choc électrique au cas où votre corps serait relié à la terre.
- ▶ **Ne pas exposer les outils électroportatifs à la pluie ou à l'humidité.** La pénétration d'eau à l'intérieur d'un outil électroportatif augmente le risque d'un choc électrique.

Sécurité des personnes

- ▶ **Rester vigilant, surveiller ce que l'on fait. Faire preuve de bon sens en utilisant l'outil électrique. Ne pas utiliser l'outil électrique en étant fatigué ou sous l'emprise de l'alcool, de drogues ou de médicaments.** Un moment d'inattention lors de l'utilisation de l'outil électrique peut entraîner des blessures graves.
- ▶ **Utiliser un équipement de sécurité et toujours porter une protection pour les yeux.** Les équipements de protection personnels tels que masque antipoussière, chaussures de sécurité antidérapantes, casque de protection ou protection acoustique suivant l'utilisation de l'outil électroportatif, réduiront le risque de blessures des personnes.
- ▶ **Éviter une mise en service par mégarde. S'assurer que l'outil électrique est arrêté avant de le brancher à l'accu, de le prendre ou de le porter.** Le fait de porter l'outil électroportatif avec le doigt sur l'interrupteur ou de brancher l'appareil sur la source de courant lorsque l'interrupteur est en position de fonctionnement peut entraîner des accidents.
- ▶ **Retirer tout outil de réglage ou toute clé avant de mettre l'outil électroportatif en fonctionnement.** Une clé ou un outil se trouvant sur une partie en rotation peut causer des blessures.
- ▶ **Adopter une bonne posture. Veiller à toujours garder une position stable et équilibrée.** Cela permet un meilleur contrôle de l'outil électroportatif dans des situations inattendues.
- ▶ **S'habiller de manière adaptée. Ne pas porter de vêtements amples ni de bijoux. Garder les cheveux, les vêtements et les gants à distance des parties en mouvement.** Des vêtements amples, des bijoux ou des cheveux longs peuvent être happés par des parties en mouvement.
- ▶ **Si des dispositifs servant à aspirer ou à recueillir les poussières doivent être utilisés, s'assurer qu'ils sont effectivement raccordés et correctement utilisés.** L'utilisation d'un dispositif d'aspiration de la poussière peut réduire les risques dus aux poussières.

Utilisation et maniement de l'outil électroportatif

- ▶ **Ne pas forcer l'appareil. Utiliser l'outil électroportatif adapté au travail à effectuer.** Un outil électroportatif approprié réalisera mieux le travail et de manière plus sûre au régime pour lequel il a été conçu.
- ▶ **Ne pas utiliser d'outil électroportatif dont l'interrupteur est défectueux.** Tout outil électroportatif qui ne peut plus être mis en ou hors fonctionnement est dangereux et doit être réparé.
- ▶ **Retirer le bloc-accu, avant d'effectuer des réglages sur l'appareil, de changer les accessoires ou de ranger l'appareil.** Cette mesure de précaution empêche une mise en fonctionnement par mégarde de l'outil électroportatif.
- ▶ **Conserver hors de portée des enfants les outils électroportatifs non utilisés. Ne pas permettre l'utilisation de l'appareil à des personnes qui ne se sont pas familiarisées avec celui-ci ou qui n'ont pas lu ces instructions.** Les outils électroportatifs sont dangereux lorsqu'ils sont entre les mains de personnes non initiées.
- ▶ **Prendre soin des outils électriques. Vérifier que les parties en mouvement fonctionnent correctement et qu'elles ne sont pas coincées, et contrôler si des parties sont cassées ou endommagées de sorte que le bon fonctionnement de l'outil électroportatif s'en trouve entravé. Faire réparer les parties endommagées avant d'utiliser l'appareil.** De nombreux accidents sont dus à des outils électroportatifs mal entretenus.
- ▶ **Garder les outils de coupe affûtés et propres.** Des outils destinés à couper correctement entretenus avec des arêtes de coupe tranchantes sont moins susceptibles de bloquer et sont plus faciles à contrôler.
- ▶ **L'outil électroportatif, les accessoires, les outils amovibles, etc. doivent être utilisés conformément à ces instructions. Tenir également compte des conditions de travail et du travail à réaliser.**



L'utilisation des outils électroportatifs à d'autres fins que celles prévues peut entraîner des situations dangereuses.

Utilisation et maniemet de l'outil sur accu

- ▶ **Ne charger les accus que dans des chargeurs recommandés par le fabricant.** Si un chargeur approprié à un type spécifique d'accus est utilisé avec des accus non recommandés pour celui-ci, il y a risque d'incendie.
- ▶ **Dans les outils électroportatifs, utiliser uniquement les accus spécialement prévus pour ceux-ci.** L'utilisation de tout autre accu peut entraîner des blessures et des risques d'incendie.
- ▶ **Tenir l'accu non utilisé à l'écart de tous objets métalliques tels qu'agrafes, pièces de monnaie, clés, clous, vis ou autres, étant donné qu'un pontage peut provoquer un court-circuit.** Un court-circuit entre les contacts d'accu peut provoquer des brûlures ou un incendie.
- ▶ **En cas d'utilisation abusive, du liquide peut sortir de l'accu. Éviter tout contact avec ce liquide.** Le liquide qui sort de l'accu peut entraîner des irritations de la peau ou causer des brûlures. En cas de contact par mégarde, rincer soigneusement avec de l'eau. En cas de contact de fluide avec les yeux, solliciter l'aide d'un personnel médical qualifié.

Service après-vente

- ▶ **L'outil électroportatif doit être réparé uniquement par un personnel qualifié, utilisant exclusivement des pièces de rechange d'origine.** Ceci permet d'assurer la sûreté de l'outil électroportatif.

2.2 Consignes de sécurité supplémentaires spécifiques au perforateur-burineur

Sécurité des personnes

- ▶ Utiliser le produit et les accessoires uniquement s'ils sont en parfait état.
- ▶ Ne jamais entreprendre de manipulation ni de modification sur le produit ou les accessoires.
- ▶ Utiliser les poignées supplémentaires livrées avec le produit. La perte de contrôle peut entraîner des blessures.
- ▶ Lors de travaux d'ajourage, protéger l'espace du côté opposé aux travaux. Des morceaux de matériaux risquent d'être éjectés et / ou de tomber, et de blesser d'autres personnes.
- ▶ Toujours tenir le produit des deux mains par les poignées prévues à cet effet. Tenir les poignées toujours sèches et propres.
- ▶ Tenir le produit par les surfaces de préhension isolées lors de travaux pendant lesquels l'outil amovible risque de toucher des câbles électriques cachés. Le contact avec un câble sous tension risque de mettre les parties métalliques de l'appareil sous tension et de provoquer une décharge électrique.
- ▶ Éviter de toucher des pièces en rotation – Risque de blessures !
- ▶ Pendant l'utilisation du produit, porter des lunettes de protection, un casque de protection, un casque antibruit et une protection respiratoire appropriée.
- ▶ Porter des gants de protection pour changer d'outil. Risque de blessures par coupure et de brûlures au contact avec l'outil amovible.
- ▶ Porter des lunettes de protection. Les éclats de matière peuvent entraîner des blessures corporelles et aux yeux.
- ▶ La poussière générée par le meulage, le ponçage, le tronçonnage et le forage peut contenir des produits chimiques dangereux. Par exemple : plomb ou peinture à base de plomb ; brique, béton et autres produits de maçonnerie, pierre naturelle et autres produits contenant des silicates ; certains bois, tels que le chêne, le hêtre et le bois traité chimiquement ; amiante ou matériaux contenant de l'amiante. Déterminer l'exposition de l'opérateur et personnes se trouvant dans l'entourage en fonction de la classe de danger des matériaux traités. Prendre les mesures nécessaires pour maintenir l'exposition à un niveau sûr, par exemple en utilisant un système de collecte des poussières ou en portant une protection respiratoire appropriée. Mesures générales visant à réduire l'exposition :
 - ▶ Travailler dans un endroit bien ventilé
 - ▶ Éviter le contact prolongé avec la poussière
 - ▶ Faire en sorte que la poussière soit dirigée loin du visage et du corps
 - ▶ Porter des vêtements de protection et laver les zones exposées à l'eau et au savon
- ▶ Faire régulièrement des pauses et des exercices pour favoriser l'irrigation sanguine dans les doigts. En cas de travaux prolongés, les fortes vibrations peuvent perturber la circulation dans les vaisseaux sanguins ou le système nerveux dans les doigts, les mains ou le poignet.

Sécurité relative au système électrique

- ▶ Avant d'entamer le travail, vérifier qu'il n'y a pas de câbles ou gaines électriques, tuyaux de gaz ou d'eau cachés dans la zone d'intervention. Les parties métalliques externes du produit peuvent provoquer un choc électrique ou une explosion si vous endommagez une ligne électrique, une conduite de gaz ou une conduite d'eau.



Utilisation et emploi soigneux de l'outil électroportatif

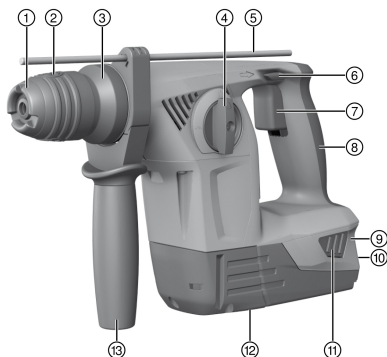
- ▶ Arrêter immédiatement le produit si l'outil amovible se bloque. Le produit peut dévier latéralement.
- ▶ Attendre l'arrêt complet du produit avant de le déposer.

2.3 Utilisation et emploi soigneux des accus

- ▶ Respecter les directives spécifiques relatives au transport, au stockage et à l'utilisation des accus Li-Ion.
- ▶ Ne pas exposer les accus à des températures élevées, ni au rayonnement direct du soleil ni au feu.
- ▶ Les accus ne doivent pas être démontés, écrasés, chauffés à une température supérieure à 80 °C (176 °F) ou jetés au feu.
- ▶ Ne jamais utiliser ni charger d'accus qui ont subi un choc électrique, qui sont tombés de plus d'un mètre ou qui ont été endommagés d'une manière quelconque. Si tel est le cas, il convient de contacter le **S.A.V. Hilti**.
- ▶ Si l'accu est trop chaud pour être touché, il est probablement défectueux. Placer l'accu dans un endroit bien visible, non inflammable et suffisamment éloigné de matériaux inflammables. Laisser l'accu refroidir. Si, après une heure, l'accu est toujours trop chaud pour être saisi, c'est qu'il est défectueux. Contacter le **S.A.V. Hilti**.

3 Description

3.1 Pièces constitutives de l'appareil, éléments de commande et d'affichage



- ① Protection anti-poussière
- ② Mandrin
- ③ Déverrouillage de l'outil
- ④ Sélecteur de fonction
- ⑤ Butée de profundeur
- ⑥ Inverseur du sens de rotation droite / gauche avec dispositif de blocage
- ⑦ Variateur électronique de vitesse
- ⑧ Poignée
- ⑨ Accu
- ⑩ Affichage de l'état de charge et des défauts (accu Li-Ion)
- ⑪ Boutons de déverrouillage pour accu
- ⑫ Raccord pour le module d'aspiration de poussières TE DRS-4-A(01)
- ⑬ Poignée latérale

3.2 Utilisation conforme à l'usage prévu

Le produit décrit est un perceuseur-burineur sur accu. Il est conçu pour percer avec percussion dans du béton et de la maçonnerie, percer dans de l'acier, du bois ou de la maçonnerie et serrer et desserrer de la visserie.

- Pour ce produit, utiliser exclusivement les accus Li-Ion **Hilti** de la série B 22.
- Pour ces accus, n'utiliser que des chargeurs homologués par **Hilti**. Vous trouverez de plus amples informations dans votre **Hilti Store** ou à l'adresse : www.hilti.group



3.3 Affichage de l'état des accus Li-Ion

Lors de l'utilisation des accus Li-Ion, l'état de charge peut être visualisé en appuyant légèrement sur un des boutons de déverrouillage.

État	Signification
4 LED allumées.	État de charge : 75 % à 100 %
3 LED allumées.	État de charge : 50 % à 75 %
2 LED allumées.	État de charge : 25 % à 50 %
1 LED allumée.	État de charge : 10 % à 25 %
1 LED clignote.	État de charge : < 10 %

Il n'est pas possible d'interroger l'indicateur de l'état de charge pendant et immédiatement après les travaux. Si des LED de l'indicateur de l'état de charge de l'accu clignent, se reporter au chapitre Dépannage.

3.4 Éléments livrés

Perforateur-burineur, poignée latérale, butée de profondeur, mode d'emploi.

Le module récupérateur de poussières TE DRS-4-A (01) proposé en tant qu'accessoire permet de travailler sans poussières.

D'autres produits système pour votre produit peuvent être trouvés dans votre **Hilti Store** ou à l'adresse : www.hilti.group

4 Caractéristiques techniques

4.1 Perforateur-burineur

	TE 4-A22
Poids selon EPTA Procedure 01 avec accu B22/8.0	3,9 kg
Énergie libérée par coup selon la procédure EPTA 05/2009	2 J
Plage de perçage dans le béton/la brique (perçage avec percussion)	4 mm ... 28 mm
Plage de perçage dans le bois (mèche monobloc)	3 mm ... 20 mm
Plage de perçage dans le métal (mèche monobloc)	3 mm ... 10 mm

4.2 Valeurs d'émissions acoustiques et de vibrations

Les valeurs de pression acoustique et de vibrations triaxiales mentionnées dans ces instructions ont été mesurées conformément à un procédé de mesure normalisé et peuvent être utilisées comme base de comparaison entre outils électroportatifs. Elles servent également à une évaluation préalable de l'exposition aux bruits et aux vibrations. Les indications fournies correspondent aux principales applications de l'outil électroportatif. Ces données peuvent néanmoins différer si l'outil électroportatif est utilisé pour d'autres applications, avec des outils à monter différents ou que l'entretien s'avère insuffisant. Ceci peut augmenter considérablement les contraintes d'exposition dans tout l'espace de travail. Pour une évaluation précise des expositions, il convient également de prendre en compte les temps durant lesquels l'appareil est arrêté ou marche à vide. Ceci peut réduire considérablement les contraintes d'exposition dans tout l'espace de travail. Par ailleurs, il convient de prendre des mesures de sécurité supplémentaires en vue de protéger l'utilisateur des effets du bruit et/ou des vibrations, telles que : bien entretenir l'outil électroportatif ainsi que les outils à monter, maintenir les mains chaudes, optimiser l'organisation des opérations.

Valeurs d'émissions sonores déterminées conformément à EN 60745

Niveau de puissance acoustique (L_{WA})	99 dB(A)
Incertitude sur le niveau de puissance acoustique (K_{WA})	3 dB(A)
Niveau de pression acoustique d'émission (L_{pA})	88 dB(A)
Incertitude sur le niveau de pression acoustique (K_{pA})	3 dB(A)

Niveau global de vibrations déterminé conformément à la norme EN 60745

Perçage avec percussion dans le béton ($a_{h, HD}$)	11 m/s ²
Incertitude (K)	1,5 m/s ²



4.3 Batterie

Tension nominale de l'accu	21,6 V
Température de service en cours de service	-17 °C ... 60 °C
Température de stockage	-20 °C ... 40 °C
Température de l'accu au début de la charge	-10 °C ... 45 °C

5 Utilisation

5.1 Préparatifs



AVERTISSEMENT

Risque de blessures du fait d'une mise en marche inopinée !

- ▶ Avant d'insérer l'accu, s'assurer que le produit correspondant est bien sur arrêt.
- ▶ Retirer le bloc-accu, avant d'effectuer des réglages sur l'appareil ou de changer les accessoires.

Bien respecter les consignes de sécurité et les avertissements de la présente documentation ainsi que celles figurant sur le produit.

5.1.1 Montage de la poignée latérale

1. Tourner le dispositif de serrage (collier de serrage) sur la poignée latérale pour desserrer.
2. Pousser le dispositif de serrage (collier de serrage) vers l'avant sur le porte-outil jusqu'à la rainure prévue à cet effet.
3. Placer la poignée latérale dans la position souhaitée.
4. Tourner le dispositif de serrage (collier de serrage) sur la poignée latérale pour serrer.

5.1.2 Introduction de l'accu

1. Insérer l'accu dans l'appareil jusqu'à ce qu'il s'encliquette avec un clic audible.
2. Vérifier que l'accu est bien en place.

5.1.3 Retrait de l'accu

1. Appuyer sur les boutons de déverrouillage de l'accu.
2. Retirer l'accu vers l'arrière.

5.1.4 Mise en place de l'outil amovible

1. Graisser légèrement l'emmanchement de l'outil amovible.
 - ▶ Utiliser exclusivement de la graisse Hilti d'origine. Une graisse inadéquate peut provoquer des dommages sur l'appareil.
2. Emmancher l'outil amovible à fond dans le porte-outil jusqu'à ce qu'il s'encliquette.
3. Une fois mis en place, vérifier que l'outil est bien serré dans le dispositif de verrouillage en tirant dessus.
 - ▶ Le produit est prêt à fonctionner.

5.1.5 Retrait de l'outil amovible



ATTENTION

Risque de blessures entraînées par l'outil amovible ! L'outil amovible peut être brûlant ou présenter des arêtes vives.

- ▶ Porter des gants de protection pour changer d'outil amovible.
- ▶ Retirer le dispositif de verrouillage de l'outil jusqu'à la butée et sortir l'outil amovible.

5.1.6 Montage de la butée de profondeur (en option)

1. Tourner le dispositif de serrage (collier de serrage) sur la poignée latérale pour desserrer.
2. Faire glisser la butée de profondeur vers l'avant dans les 2 orifices de guidage prévus à cet effet.
3. Tourner le dispositif de serrage (collier de serrage) sur la poignée latérale pour serrer.



5.2 Travail

ATTENTION

Risque d'endommagement du fait d'un mauvais maniement !


- ▶ Ne pas actionner l'interrupteur de sens de rotation et/ou de sélection de fonction pendant le fonctionnement.

Bien respecter les consignes de sécurité et les avertissements de la présente documentation ainsi que celles figurant sur le produit.


5.2.1 Sens de rotation

- ▶ Régler le sens de rotation.
 - ▶ L'interrupteur s'encliquette dans cette position.

5.2.2 Perçage sans percussion

- ▶ Tourner le sélecteur de fonction sur ce symbole : .

5.2.3 Perçage avec percussion

- ▶ Tourner le sélecteur de fonction sur ce symbole : .

6 Nettoyage et entretien

6.1 Nettoyage et entretien

AVERTISSEMENT

Risque de blessures lorsque l'accu est inséré !

- ▶ Toujours retirer l'accu avant tous travaux de nettoyage et d'entretien !

Entretien du produit

- Éliminer avec précaution les saletés récalcitrantes.
- Le cas échéant, nettoyer soigneusement les ouïes d'aération à l'aide d'une brosse sèche et douce.
- Nettoyer le carter de l'appareil uniquement avec un chiffon légèrement humide. Ne pas utiliser de nettoyeurs à base de silicone car ceci pourrait attaquer les pièces en plastique.
- Utiliser un chiffon propre et sec pour nettoyer les contacts du produit.

Entretien des accus Li-ion

- Ne jamais utiliser un accu dont les ouïes d'aération sont bouchées. Nettoyer soigneusement les ouïes d'aération à l'aide d'une brosse sèche et douce.
- Éviter d'exposer inutilement l'accu à la poussière ou à la saleté. Ne jamais exposer l'accu à une forte humidité (par exemple en l'immergeant dans de l'eau ou en le laissant sous la pluie).
Si l'accu a été trempé, le traiter comme un accu endommagé. L'isoler dans un récipient ininflammable et s'adresser au S.A.V. **Hilti**.
- Veiller à ce que l'accu soit toujours exempt de traces de graisse et d'huile étrangères. Ne pas laisser de la poussière ou de la saleté s'accumuler inutilement sur l'accu. Nettoyer l'accu avec une brosse sèche et douce ou un chiffon propre et sec. Ne pas utiliser de nettoyeurs à base de silicone car ceci pourrait attaquer les pièces en plastique.
Ne pas toucher les contacts de l'accu et ne pas enlever la graisse appliquée en usine sur les contacts.
- Nettoyer le carter de l'appareil uniquement avec un chiffon légèrement humide. Ne pas utiliser de nettoyeurs à base de silicone car ceci pourrait attaquer les pièces en plastique.

Entretien

- Vérifier régulièrement qu'aucune pièce visible n'est endommagée et que les organes de commande sont parfaitement opérationnels.
- Ne pas utiliser le produit en cas d'endommagements et/ou de dysfonctionnements. Faire immédiatement réparer le produit par le S.A.V. **Hilti**.
- Après des travaux de nettoyage et d'entretien, vérifier si tous les équipements de protection sont bien en place et fonctionnent parfaitement.



i Pour une utilisation en toute sécurité, utiliser uniquement des pièces de rechange et consommables d'origine. Vous trouverez les pièces de rechange, consommables et accessoires autorisés par Hilti convenant pour votre produit dans le centre **Hilti Store** ou sous : www.hilti.group

6.2 Nettoyage de la protection anti-poussière

- ▶ Nettoyer régulièrement la protection anti-poussière au niveau du mandrin au moyen d'un chiffon propre et sec.
- ▶ Essuyer la lèvres d'étanchéité avec précaution et la graisser à nouveau légèrement avec de la graisse Hilti.
- ▶ Si la lèvres d'étanchéité est endommagée, remplacer impérativement la protection anti-poussière.

7 Transport et stockage

7.1 Transport et stockage des outils sur accu et des accus

Transport

ATTENTION

Mise en marche inopinée lors du transport !

- ▶ Toujours retirer les accus avant de transporter les produits !
- ▶ Retirer le ou les accus.
- ▶ Ne jamais transporter les accus en vrac. Pendant le transport, les accus doivent être protégés des vibrations et chocs excessifs, isolés de tout matériau conducteur ou autre accu, pour éviter qu'ils n'entrent en contact avec d'autres pôles de batterie et qu'ils provoquent un court-circuit. **Tenir compte des prescriptions locales pour le transport d'accus.**
- ▶ Ne pas envoyer les accus par la poste. S'adresser à un service d'expédition s'il faut envoyer des accus non endommagés.
- ▶ Contrôler l'état du produit et des accus avant chaque utilisation, ainsi qu'avant et après tout transport prolongé.

Stockage

AVERTISSEMENT

Endommagement involontaire du fait d'accus défectueux ou de chute d'accu !

- ▶ Toujours retirer les accus avant de stocker les produits !
- ▶ Stocker si possible le produit et les accus dans un endroit sec et frais. Respecter les valeurs limites de température indiquées dans les caractéristiques techniques.
- ▶ Ne pas stocker les accus sur le chargeur. Retirer toujours l'accu du chargeur après la charge.
- ▶ Ne jamais stocker les accus exposés au soleil, sur des sources de chaleur ou derrière des vitres.
- ▶ Stocker le produit et les accus à l'abri des enfants et des personnes non autorisées.
- ▶ Contrôler l'état du produit et des accus avant chaque utilisation, ainsi qu'avant et après tout stockage prolongé.

8 Guide de dépannage

8.1 Aide au dépannage

En cas de défaillances non énumérées dans ce tableau ou auxquelles il n'est pas possible de remédier sans aide, contacter le S.A.V. Hilti.



8.2 Le perceuse-burineur n'est pas en état de marche

Défaillance	Causes possibles	Solution
Les LEDs n'indiquent rien.	L'accu n'est pas complètement encliqueté.	▶ Encliqueter l'accu d'un « double-clic ».
	Décharger l'accu.	▶ Remplacer l'accu et charger l'accu vide.
1 LED clignote.	Décharger l'accu.	▶ Remplacer l'accu et charger l'accu vide.





Défaillance	Causes possibles	Solution
1 LED clignote.	Accu trop chaud ou trop froid.	► Amener l'accu à la température de service recommandée.
4 LEDs clignent.	Surcharge momentanée du perforateur-burineur.	► Relâcher le variateur électronique de vitesse et l'actionner à nouveau.

8.3 Le perforateur-burineur est en état de marche

Défaillance	Causes possibles	Solution
Absence de percussion.	Perforateur-burineur trop froid.	► Poser le perforateur-burineur sur le support et le laisser tourner à vide. Répéter si nécessaire jusqu'à ce que le mécanisme de frappe fonctionne.
	Sélecteur de fonction sur "Perçage sans percussion"  .	► Tourner le sélecteur de fonction sur "Perçage avec percussion"  .
	Perforateur-burineur réglé sur le sens de rotation gauche.	► Mettre l'inverseur du sens de rotation droite / gauche sur rotation droite.
Impossible d'enfoncer le variateur électronique de vitesse ou le variateur est bloqué.	Inverseur du sens de rotation droite / gauche sur la position médiane.	► Pousser l'inverseur du sens de rotation droite / gauche vers la droite ou la gauche.
La broche de l'appareil ne tourne pas.	Dépassement de la température de service admissible pour le système électronique du perforateur-burineur.	► Laisser le perforateur-burineur refroidir.
	Décharger l'accu.	► Remplacer l'accu et charger l'accu vide.
Le perforateur-burineur s'arrête automatiquement.	La protection électronique contre les surcharges réagit.	► Relâcher le variateur électronique de vitesse. Laisser le perforateur-burineur refroidir. Réactionner le variateur électronique de vitesse. Réduire la charge de l'appareil.
L'accu se vide plus rapidement que d'habitude.	Température ambiante très basse.	► Laisser l'accu se réchauffer lentement à la température ambiante.
L'accu ne s'encliquette pas avec un « double-clic » audible.	Ergots d'encliquetage encrassés sur l'accu.	► Nettoyer les ergots d'encliquetage et réencliqueter l'accu dans son logement.
Important dégagement de chaleur dans le perforateur-burineur ou dans l'accu.	Défaut électrique	► Arrêter immédiatement le perforateur-burineur. Retirer l'accu et l'examiner. Le laisser refroidir. Contacter le S.A.V. Hilti .
	Charge excessive du perforateur-burineur (limite d'emploi dépassée).	► Utiliser un perforateur-burineur approprié au type de travail envisagé.
L'outil ne sort pas du dispositif de verrouillage.	Le mandrin n'est pas complètement ouvert.	► Retirer le dispositif de verrouillage de l'outil jusqu'à la butée et sortir l'outil.
L'outil ne perce pas.	Perforateur-burineur réglé sur le sens de rotation gauche.	► Mettre l'inverseur du sens de rotation droite / gauche sur rotation droite.



Défaillance	Causes possibles	Solution
L'outil ne perce pas.	Sélecteur de fonction sur "Perçage sans percussion"  .	► Tourner le sélecteur de fonction sur "Perçage avec percussion"  .


9 Recyclage



AVERTISSEMENT

Risque de blessures en cas d'élimination incorrecte ! Émanations possibles de gaz et de liquides nocives pour la santé.

- Ne pas envoyer ni expédier d'accus endommagés !
- Recouvrir les raccords avec un matériau non conducteur pour éviter tout court-circuit.
- Éliminer les accus en veillant à ce qu'ils soient hors de la portée des enfants.
- Éliminer l'accu en le déposant auprès du **Hilti Store** local ou s'adresser à l'entreprise de collecte des déchets compétente.

 Les produits **Hilti** sont fabriqués pour une grande partie en matériaux recyclables. Le recyclage présuppose un tri adéquat des matériaux. **Hilti** reprend les appareils usagés dans de nombreux pays en vue de leur recyclage. Consulter le service clients **Hilti** ou un conseiller commercial.



- Ne pas jeter les appareils électriques, électroniques et accus dans les ordures ménagères !

10 RoHS (directive relative à la limitation d'utilisation des substances dangereuses)

Le tableau des substances dangereuses est accessible au moyen du lien suivant : qr.hilti.com/r3159232. Vous trouverez à la fin de cette documentation, sous forme de code QR, un lien menant au tableau RoHS.

11 Garantie constructeur

- En cas de questions sur les conditions de garantie, veuillez vous adresser à votre partenaire **Hilti** local.

Original brugsanvisning

1 Oplysninger vedrørende dokumentationen

1.1 Vedrørende denne dokumentation

- Læs denne dokumentation igennem før ibrugtagning. Det er en forudsætning for sikkert arbejde og korrekt håndtering.
- Følg sikkerheds- og advarselshenvisningerne i denne dokumentation og på produktet.
- Opbevar altid brugsanvisningen sammen med produktet, og overdrag det kun til andre personer sammen med denne anvisning.

1.2 Tegnforklaring

1.2.1 Advarsler

Advarsler advarer mod farer ved håndtering af produktet. Følgende signalord anvendes:



FARE

FARE !

- Betegner en umiddelbart truende fare, der kan medføre alvorlige kvæstelser eller døden.



ADVARSEL

ADVARSEL !

- Står ved en potentielt truende fare, der kan medføre alvorlige kvæstelser eller døden.



⚠ FORSIGTIG

FORSIGTIG !

► Advarer om en potentielt farlig situation, der kan forårsage personskader eller materielle skader.

1.2.2 Symboler i denne dokumentation

Følgende symboler anvendes i denne dokumentation:

	Læs brugsanvisningen før brug
	Anvisninger for anvendelse og andre nyttige oplysninger
	Håndtering af genvindbare materialer
	Elektriske maskiner og batterier må ikke bortskaffes som almindeligt husholdningsaffald

1.2.3 Symboler i illustrationer

Følgende symboler anvendes på illustrationer:

2	Disse tal henviser til de forskellige illustrationer i begyndelsen af brugsanvisningen
3	Nummereringen udtrykker arbejdsstrinnenes rækkefølge på illustrationen og kan afvige fra arbejdsstrinnene i teksten
11	Positionsnumre anvendes i illustrationen Oversigt og refererer til tallene i symbolforklaringen i afsnittet Produktoversigt
	Dette symbol skal sikre skærpet opmærksomhed ved omgang med produktet.

1.3 Produktspecifikke symboler

1.3.1 Symboler på produktet

Følgende symboler kan forekomme på produktet:

	Boring uden slagfunktion
	Boring med slagfunktion (hammerboring)
	Højre-/venstreløb
	Kapslingsklasse II (dobbeltisoleret)
n_0	Nominelt omdrejningstal ubelastet
	Jævnstrøm
Li-Ion	Lithium-ion-batteri
	Anvendt Hilti lithium-ion-batteriserie. Overhold oplysningerne i kapitlet Tilsigtet anvendelse .
	Brug aldrig batteriet som slagværktøj.
	Lad ikke batteriet falde på gulvet. Brug ikke et batteri, der har fået et slag eller på anden vis er beskadiget.
	Maskinen understøtter NFC-teknologi, som er kompatibel med iOS- og Android-platforme.

1.4 Produktoplysninger

HILTI-produkter er beregnet til professionel brug og må kun betjenes, efterses og vedligeholdes af autoriseret og instrueret personale. Dette personale skal i særdeleshed informeres om de potentielle farer,



der er forbundet med anvendelsen af denne maskine. Der kan opstå farlige situationer ved anvendelse af produktet og det tilhørende udstyr, hvis det anvendes af personer, der ikke er blevet undervist i dens brug, eller hvis det ikke anvendes korrekt i henhold til forskrifterne i denne brugsanvisning.

Typebetegnelse og serienummer fremgår af typeskiltet.

- ▶ Notér serienummeret i den efterfølgende tabel. Du skal bruge produktoplysningerne ved henvendelser til vores lokale afdeling eller vores serviceværksted.

Produktoplysninger

Borehammer	TE 4-A22
Generation	02
Serienummer	

1.5 Overensstemmelseserklæring

Vi erklærer som eneansvarlige, at det beskrevne produkt er i overensstemmelse med gældende direktiver og standarder. Sidst i dette dokument finder du et billede af overensstemmelseserklæringen.

Den tekniske dokumentation er arkiveret her:

Hilti Entwicklungsgesellschaft mbH | Zulassung Geräte | Hiltistraße 6 | 86916 Kaufering, DE

2 Sikkerhed

2.1 Generelle sikkerhedsanvisninger for elværktøj

⚠ ADVARSEL! Læs alle sikkerhedsanvisninger og instruktioner. Hvis sikkerhedsanvisningerne og instruktionerne ikke overholdes, er der risiko for elektrisk stød, brand og/eller alvorlige personskader.

Opbevar alle sikkerhedsanvisninger og instruktioner til senere brug.

Arbejdspladssikkerhed

- ▶ **Sørg for at holde arbejdsområdet ryddeligt og godt oplyst.** Uorden eller uoplyste arbejdsområder øger faren for uheld.
- ▶ **Brug ikke elværktøj i eksplosionstruede omgivelser, hvor der er brændbare væsker, gasser eller støv.** Elværktøj kan slå gnister, der kan antænde støv eller dampe.
- ▶ **Sørg for, at andre personer og ikke mindst børn holdes væk fra arbejdsområdet, når elværktøjet er i brug.** Hvis man distraheres, kan man miste kontrollen over maskinen.

Elektrisk sikkerhed

- ▶ **Undgå kropskontakt med jordforbundne overflader som f.eks. rør, radiatorer, komfurer og køleskabe.** Hvis din krop er jordforbundet, øges risikoen for elektrisk stød.
- ▶ **Elværktøj må ikke udsættes for regn eller fugt.** Indtrængning af vand i elværktøj øger risikoen for elektrisk stød.

Personlig sikkerhed

- ▶ **Det er vigtigt at være opmærksom, se, hvad man laver, og bruge elværktøjet fornuftigt. Anvend aldrig elværktøj, hvis du er træt eller påvirket af stoffer, alkohol eller medicin.** Et øjeblikvis uopmærksomhed under brugen af elværktøjet kan medføre alvorlige personskader.
- ▶ **Brug beskyttelsesudstyr, og hav altid beskyttelsesbriller på.** Brug af sikkerhedsudstyr som f.eks. støvmaske, skridsikkert fodtøj, beskyttelseshjelm eller høreværn afhængigt af elværktøjets type og anvendelse nedsætter risikoen for personskader.
- ▶ **Undgå utilsigtet igangsætning. Kontrollér, at elværktøjet er frakoblet, før du slutter det til batteriet, tager det op eller transporterer det.** Undgå at bære elværktøjet med fingeren på afbryderen, og sørg for, at det ikke er tændt, når det slutes til nettet, da dette øger risikoen for personskader.
- ▶ **Fjern indstillingsværktøj eller skruenøgler, inden elværktøjet tændes.** Hvis et stykke værktøj eller en nøgle sidder i en roterende maskindel, er der risiko for personskader.
- ▶ **Undgå at arbejde i unormale kropstillinger. Sørg for at stå sikkert, mens der arbejdes, og kom ikke ud af balance.** Det er derved nemmere at kontrollere elværktøjet, hvis der skulle opstå uventede situationer.
- ▶ **Brug egnet arbejdstøj. Undgå løse beklædningsgenstande eller smykker. Hold hår, tøj og handsker væk fra dele, der bevæger sig.** Dele, der er i bevægelse, kan gribe fat i løstsiddende tøj, smykker eller langt hår.
- ▶ **Hvis støvudsugnings- og opsamlingsudstyr kan monteres, er det vigtigt, at dette tilsluttes og benyttes korrekt.** Ved at anvende en støvudsugning er det muligt at nedsætte risiciene som følge af støv.



Anvendelse og pleje af elværktøjet

- ▶ **Undgå at overbelaste maskinen. Brug altid en maskine, der er beregnet til det stykke arbejde, der skal udføres.** Med det rigtige værktøj arbejder man bedst og mest sikkert inden for det angivne effektområde.
- ▶ **Brug ikke elværktøj, hvis afbryderen er defekt.** En maskine, der ikke kan startes og stoppes, er farlig og skal repareres.
- ▶ **Fjern batteriet, inden du foretager indstillinger, skifter tilbehørsdele eller lægger maskinen væk.** Disse sikkerhedsforanstaltninger forhindrer utilsigtet start af elværktøjet.
- ▶ **Opbevar ubenyttede elværktøjer uden for børns rækkevidde. Lad aldrig personer, der ikke er fortrolige med elværktøjet eller ikke har gennemlæst sikkerhedsanvisningerne benytte dette.** Elværktøj er farligt, hvis det benyttes af ukyndige personer.
- ▶ **Sørg for, at pleje elværktøj omhyggeligt. Kontrollér, om bevægelige dele fungerer korrekt og ikke sidder fast, og om delene er brækket eller beskadiget, således at elværktøjets funktion påvirkes. Få beskadigede dele repareret, inden elværktøjet tages i brug.** Mange uheld skyldes dårligt vedligeholdte elværktøjer.
- ▶ **Sørg for, at skæreværktøjer er skarpe og rene.** Omhyggeligt vedligeholdte skæreværktøjer med skarpe skærekanter sætter sig ikke så hurtigt fast og er nemmere at føre.
- ▶ **Anvend elværktøj, tilbehør, indsatsværktøj osv. i overensstemmelse med disse anvisninger. Tag hensyn til arbejdsforholdene og det arbejde, der skal udføres.** I tilfælde af anvendelse af maskinen til formål, som ligger uden for det fastsatte anvendelsesområde, kan der opstå farlige situationer.

Anvendelse og pleje af batteridrevet elværktøj

- ▶ **Oplad kun batterier i ladere, der er anbefalet af fabrikanten.** Der er risiko for brand, hvis en lader, der er beregnet til et bestemt batteri, anvendes til opladning af en anden batteritype.
- ▶ **Brug kun de batterier, der er beregnet til elværktøjet.** Brug af andre batterier øger risikoen for personskader og er forbundet med brandfare.
- ▶ **Ikke benyttede batterier må ikke komme i berøring med kontorclips, mønter, nøgler, søm, skruer eller andre små metalgenstande, da disse kan kortslutte kontakterne.** En kortslutning mellem batterikontakterne øger risikoen for personskader i form af forbrændinger.
- ▶ **Hvis batteriet anvendes forkert, kan der løbe væske ud af batteriet. Undgå at komme i kontakt med denne væske.** Batterivæske kan give hudirritation eller forbrændinger. Hvis det alligevel skulle ske, skylles med vand. Søg læge, hvis væsken kommer i øjnene.

Service

- ▶ **Sørg for, at elværktøjet kun repareres af kvalificerede fagfolk, og at der altid benyttes originale reservedele.** Dermed sikres størst mulig elværktøjsikkerhed.

2.2 Yderligere sikkerhedsanvisninger for borehammer

Personlig sikkerhed

- ▶ Anvend kun produktet og tilbehør i teknisk fejlfri stand.
- ▶ Foretag aldrig manipulationer eller ændringer på produkt eller tilbehør.
- ▶ Brug de ekstrahåndgreb, som følger med produktet. Hvis du mister kontrollen, kan det medføre personskader.
- ▶ Ved gennembrydningsarbejde skal du huske at sikre området på den modsatte side. Nedbrydningsdele kan falde ud og/eller ned og volde skade på andre personer.
- ▶ Hold altid fast i produktet med begge hænder på de dertil beregnede håndtag. Sørg for, at håndgrebene er tørre og rene.
- ▶ Hold elværktøjet på de isolerede grebsflader, når du udfører opgaver, hvor indsatsværktøjet kan ramme skjulte strømledninger. Ved kontakt med en spændingsførende ledning kan også metalliske værktøjsdele sættes under spænding, hvilket kan medføre elektrisk stød.
- ▶ Undgå berøring af roterende dele - fare for personskader!
- ▶ Brug beskyttelsesbriller, beskyttelseshjelm, høreværn og et egnet åndedrætsværn under brugen af produktet.
- ▶ Brug beskyttelseshandsker, når du skifter værktøj. Berøring af indsatsværktøjet kan medføre snitsår og forbrændinger.
- ▶ Brug øjenværn. Splinterne fra materialet kan medføre skader på lemmer og øjne.



- ▶ Støv, der dannes ved slibning, skæring og boring, kan indeholde farlige kemikalier. Nogle eksempler er: Bly eller maling på blybasis; Tegl, beton og andre murværksprodukter, natursten og andre silikatholdige produkter; Bestemte træsorter som eg, bøg og kemisk behandlet træ; Asbest eller asbestholdige materialer. Bestem eksponeringen for brugeren og omkringstående personer ved hjælp af fareklassen for de materialer, der arbejdes på. Træf de nødvendige foranstaltninger for at holde eksponeringen på et sikkert niveau, f.eks. ved at bruge et støvopsamlingsystem eller brug af et passende åndedrætsværn. Generelle foranstaltninger til at reducere eksponeringen omfatter bl.a.:
 - ▶ Arbejde i et godt ventileret område,
 - ▶ Undgå længere tids kontakt med støv,
 - ▶ Lede støv bort fra ansigt og krop,
 - ▶ Brug beskyttende beklædning og vaske eksponerede områder med vand og sæbe.
- ▶ Hold hyppigt pauser, og lav øvelser, så fingrene får bedre blodgennemstrømning. Ved længerevarende arbejde kan vibrationer medføre forstyrrelser af fingrenes, hændernes eller håndleddenes blodkar og nervesystem.

Elektrisk sikkerhed

- ▶ Kontrollér før påbegyndelse af arbejdet arbejdsområdet for skjulte elektriske ledninger, gas- og vandrør, f.eks. med en metaldetektor. Udvendige metaldele på produktet kan medføre elektrisk stød eller forårsage en eksplosion, hvis du beskadiger en elledning, et gasrør eller et vandrør.

Omhyggelig omgang med og brug af elværktøj

- ▶ Sluk omgående produktet, hvis indsatsværktøjet blokeres. Produktet kan trække til siden.
- ▶ Vent, indtil produktet er standset helt, før du lægger det fra dig.

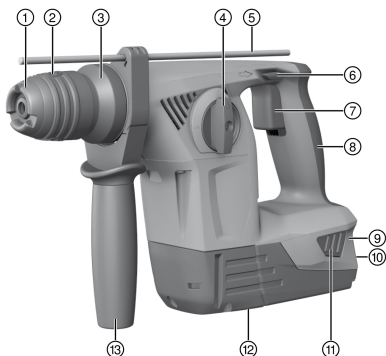
2.3 Omhyggelig omgang med og brug af batterier

- ▶ Læs de særlige retningslinjer for transport, opbevaring og brug af lithium-ion-batterier.
- ▶ Hold batterier på sikker afstand af høje temperaturer, direkte solindstråling og ild.
- ▶ Batterierne må ikke adskilles, klemmes, opvarmes til over 80 °C eller brændes.
- ▶ Anvend og oplad ikke batterier, som har fået et slag, er faldet på gulvet fra mere end en meters højde eller på anden vis er blevet beskadiget. Kontakt i så fald altid **Hilti Service**.
- ▶ Hvis batteriet er for varmt til at kunne røres, kan det være defekt. Anbring batteriet på et overskueligt, ikke-brændbart sted med tilstrækkelig afstand til brændbare materialer. Lad batteriet køle af. Hvis batteriet efter en time fortsat er for varmt til at kunne røres, er det defekt. Kontakt **Hilti Service**.



3 Beskrivelse

3.1 Maskinkomponenter, betjenings- og visningselementer



- ① Støvkappe
- ② Værktøjsholder
- ③ Frigøring af værktøj
- ④ Funktionsvælger
- ⑤ Dybdestop
- ⑥ Omskifter til valg af højre-/venstrelob med startspærre
- ⑦ Afbryder
- ⑧ Håndgreb
- ⑨ Batteri
- ⑩ Ladetilstands- og fejlvisning (lithium-ion-batteri)
- ⑪ Frigøringsknapper til batteri
- ⑫ Tilslutning til støvmodul TE DRS-4-A(01)
- ⑬ Sidegreb

3.2 Tilsigtet anvendelse

Det beskrevne produkt er en batteridrevet borehammer. Det er beregnet til boring i stål, træ og murværk, til hammerboring i beton og murværk og til iskruning og løsning af skruer.

- Anvend kun **Hilti** Li-Ion-batterier i typeserien B 22 til dette produkt.
- Anvend kun ladere, som **Hilti** har godkendt, til disse batterier. Yderligere oplysninger finder du i din **Hilti Store** eller under: www.hilti.group

3.3 Indikator for lithium-ion-batteriet

Ved anvendelse af lithium-ion-batterier er det muligt at få vist ladetilstanden ved at berøre frigøringsknapperne med fingrene.

Tilstand	Betydning
4 lysdioder lyser.	Ladetilstand: 75 % til 100 %
3 lysdioder lyser.	Ladetilstand: 50 % til 75 %
2 lysdioder lyser.	Ladetilstand: 25 % til 50 %
1 lysdiode lyser.	Ladetilstand: 10 % til 25 %
1 lysdiode blinker.	Ladetilstand: < 10 %

Under arbejdet og lige efter er det ikke muligt at få vist ladetilstanden. Hvis lysdioderne på batteriets ladetilstandsindikator blinker, henvises til beskrivelsen i kapitlet Fejløgning.

3.4 Leveringsomfang

Borehammer, sidegreb, dybdestop, brugsanvisning.

Støvmodul TE DRS-4-A (01) er tilbehør til at skabe støvfrit arbejde.



Andre systemprodukter, som er godkendt til dit produkt, finder du i **Hilti Store** eller på: www.hilti.group

4 Tekniske data

4.1 Borehammer

	TE 4-A22
Vægt i henhold til EPTA Procedure 01 inklusive batteri B228.0	3,9 kg
Enkeltslagsenergi i overensstemmelse med EPTA-procedure 05/2009	2 J
Boreområde i beton/murværk (hammerboring)	4 mm ... 28 mm
Boreområde i træ (massivt bor)	3 mm ... 20 mm
Boreområde i metal (massivt bor)	3 mm ... 10 mm

4.2 Støjinformation og vibrationsværdier

Lydtryk- og vibrationsværdier i denne brugsanvisning er målt i henhold til en standardiseret målemetode og kan anvendes til sammenligning af forskellige elværktøjer. De kan også anvendes til en foreløbig vurdering af den eksponering, brugeren udsættes for. De anførte data repræsenterer elværktøjets primære anvendelsesformål. Hvis elværktøjet imidlertid anvendes til andre formål, med andre indsatsværktøjer eller utilstrækkelig vedligeholdelse, kan dataene afvige. Dette kan forøge den eksponering, som brugeren udsættes for, i hele arbejdstiden markant. For at opnå en præcis vurdering af den eksponering, som brugeren udsættes for, bør også den tid, hvor maskinen er slukket eller blot kører uden at blive anvendt, inddrages. Dette kan reducere den eksponering, som brugeren udsættes for, i hele arbejdstiden markant. Fastlæg yderligere sikkerhedsforanstaltninger til beskyttelse af brugeren mod støj- og/eller vibrationspåvirkninger, f.eks. er det vigtigt at vedligeholde elværktøj og indsatsværktøj, at holde hænderne varme og at organisere arbejdsprocesserne.

Støjemissionsværdier målt iht. EN 60745

Lydeffektniveau (L_{WA})	99 dB(A)
Usikkerhed, lydeffektniveau (K_{WA})	3 dB(A)
Lydtrykniveau (L_{pA})	88 dB(A)
Usikkerhed, lydtrykniveau (K_{pA})	3 dB(A)

Samlede vibrationsværdier målt iht. EN 60745

Hammerboring i beton ($a_{h, HD}$)	11 m/s^2
Usikkerhed (K)	1,5 m/s^2

4.3 Batteri

Batteriets driftsspænding	21,6 V
Omgivende temperatur under drift	-17 °C ... 60 °C
Opbevaringstemperatur	-20 °C ... 40 °C
Batteriets temperatur ved start af ladning	-10 °C ... 45 °C

5 Betjening

5.1 Forberedelse af arbejdet

ADVARSEL

Fare for personskader på grund af utilsigtet start!

- ▶ Før isætning af batteriet skal du kontrollere, at det tilhørende produkt er slukket.
- ▶ Fjern batteriet fra maskinen, inden du foretager indstillinger eller skifter tilbehørsdele på den.

Følg sikkerheds- og advarselshenvisningerne i denne dokumentation og på produktet.

5.1.1 Montering af sidegreb

1. Drej på grebet for at løsne sidegrebets holder (spændebånd).



2. Skub holderen (spændebånd) på forfra over værktøjsholderen frem til den dertil beregnede not.
3. Anbring sidegrebet i den ønskede position.
4. Drej på grebet for at spænde sidegrebets holder (spændebånd).

5.1.2 Isætning af batteri

1. Sæt batteriet i maskinholderen, indtil det går hørbart i indgreb.
2. Kontrollér, at batteriet er sat korrekt i.

5.1.3 Fjernelse af batteri

1. Tryk på batteriets frigøringsknapper.
2. Træk batteriet tilbage og ud.

5.1.4 Isætning af indsatsværktøj

1. Smør indsatsværktøjets indstiksende med et tyndt lag fedt.
 - ▶ Anvend kun originalt fedt fra Hilti. En forkert fedttype kan medføre skader på maskinen.
2. Sæt indsatsværktøjet i værktøjsholderen indtil anslag, og lad det gå i indgreb.
3. Kontrollér efter isætning, at værktøjet sidder sikkert fast ved at trække i det.
 - ▶ Produktet er klar til brug.

5.1.5 Udtagning af indsatsværktøj

FORSIGTIG

Fare for personskader på grund af indsatsværktøj! Indsatsværktøjet kan være meget varmt eller have skarpe kanter.

- ▶ Brug beskyttelseshandsker ved skift af indsatsværktøjet.

- ▶ Træk værktøjsslåsen tilbage indtil anslag, og tag indsatsværktøjet ud.

5.1.6 Montering af dybdestop (ekstratilbehør)

1. Drej på grebet for at løsne sidegrebets holder (spændebånd).
2. Skub dybdestoppet på forfra ind i de dertil beregnede 2 styrehuller.
3. Drej på grebet for at spænde sidegrebets holder (spændebånd).

5.2 Arbejde

VIGTIGT

Fare for beskadigelse på grund af forkert håndtering!

- ▶ Tryk ikke på kontakten for rotationsretning og/eller funktionsvalg under brugen.

Følg sikkerheds- og advarselshenvisningerne i denne dokumentation og på produktet.

5.2.1 Omdrejningsretning

- ▶ Indstil omdrejningsretningen.
 - ▶ Omskifteren går i hak i denne stilling.

5.2.2 Boring uden slagfunktion

- ▶ Sæt funktionsvælgeren på dette symbol:

5.2.3 Boring med slagfunktion

- ▶ Sæt funktionsvælgeren på dette symbol:

6 Rengøring og vedligeholdelse

6.1 Rengøring og vedligeholdelse

ADVARSEL

Fare for personskader ved isat batteri !

- ▶ Fjern altid batteriet før alle pleje- og vedligeholdelsesarbejder!



Pleje af produktet

- Fjern fastsiddende snavs med forsigtighed.
- Eventuelle ventilationsåbninger skal rengøres forsigtigt med en tør, blød børste.
- Rengør kun huset med en hårdt opvredet klud. Brug ikke silikoneholdige plejemidler, da de kan angribe plastdelene.
- Anvend en ren, tør klud til rengøring af produktets kontakter.

Pleje af Li-ion-batterier

- Anvend aldrig et batteri med tilstoppede ventilationsåbninger. Rengør forsigtigt ventilationsåbningerne med en tør, blød børste.
- Undgå, at batteriet unødigt udsættes for støv og snavs. Udsæt aldrig batteriet for høj fugtighed (f.eks. dyppe det i vand eller lade det stå ude i regnvej). Hvis et batteri er blevet gennemvådt, skal det behandles som et beskadiget batteri. Isolér det i en ikke-brændbar beholder, og kontakt **Hilti Service**.
- Hold batteriet frit for udefrakommende olie og fedt. Lad ikke unødigt støv og snavs samle sig på batteriet. Rengør batteriet med en tør, blød børste eller en ren, tør klud. Brug ikke silikoneholdige plejemidler, da de kan angribe plastdelene. Berør ikke batteriets kontakter, og fjern ikke fedtsmøringen fra fabrikken fra kontakterne.
- Rengør kun huset med en hårdt opvredet klud. Brug ikke silikoneholdige plejemidler, da de kan angribe plastdelene.

Vedligeholdelse

- Kontrollér regelmæssigt alle synlige dele for skader og betjeningselementerne for fejlfri funktion.
- Anvend ikke produktet i tilfælde af beskadigelse og/eller funktionsfejl. Få omgående produktet repareret af **Hilti Service**.
- Monter alle beskyttelsesanordninger efter pleje- og vedligeholdelsesarbejder, og kontrollér dem for fejlfri funktion.



Anvend kun originale reservedele og forbrugsmaterialer af hensyn til en sikker drift. Reservedele, forbrugsmaterialer og tilbehør til dit produkt, som **Hilti** har godkendt, finder du i din **Hilti Store** eller under: www.hilti.group

6.2 Rengøring af støvkappen

- ▶ Rengør regelmæssigt støvkappen på værktøjsholderen med en ren, tør klud.
- ▶ Tør forsigtigt tætningen ren, og påfør den derefter et tyndt lag **Hilti**-fedt.
- ▶ Udskift altid støvkappen, hvis tætningen er beskadiget.

7 Transport og opbevaring

7.1 Transport og opbevaring af batteridrevet værktøj og batterier

Transport



Utsigtet start ved transport !

- ▶ Transportér altid dine produkter uden isat batteri!
- ▶ Tag batteriet/batterierne af.
- ▶ Transportér aldrig batterier liggende løst og ubeskyttet. Under transporten bør batterierne beskyttes mod hårde slag og vibrationer og isoleres fra enhver form for ledende materialer eller andre batterier, så de ikke kommer i kontakt med andre batteripoler og forårsager en kortslutning. **Overhold de lokale transportforskrifter for batterier.**
- ▶ Batterier må ikke sendes med posten. Henvend dig til et transportfirma, hvis du ønsker at sende ubeskadigede batterier.
- ▶ Kontrollér produktet og batterierne for skader hver gang før brug og før og efter længere transport.

Opbevaring



Utsigtet beskadigelse på grund af defekte eller utætte batterier !

- ▶ Opbevar altid dine produkter uden isat batteri!



- ▶ Opbevar produkt og batterier køligt og tørt. Overhold de temperaturgrænser, der fremgår af de tekniske data.
- ▶ Opbevar ikke batterier i laderen. Tag batteriet ud af laderen, når opladningen er gennemført.
- ▶ Opbevar aldrig batterier i direkte sollys, på varmekilder eller i et vindue.
- ▶ Opbevar produkt og batterier utilgængeligt for børn og uvedkommende personer.
- ▶ Kontrollér produktet og batterierne for skader hver gang før brug og før og efter længere tids opbevaring.

8 Fejlsøgning



8.1 Fejlafhjælpning

Ved fejl, som ikke fremgår af denne tabel, eller som du ikke selv kan afhjælpne, beder vi dig om at kontakte Hilti Service.

8.2 Borehammeren er ikke funktionsdygtig

Fejl	Mulig årsag	Løsning
Lysdioder er ikke aktive.	Batteriet er ikke korrekt isat.	▶ Bring batteriet i indgreb med et dobbeltklik.
	Aflad batteri.	▶ Udskift batteriet, og oplad det tomme batteri.
1 lysdiode blinker.	Aflad batteri.	▶ Udskift batteriet, og oplad det tomme batteri.
	Batteriet er for varmt eller for koldt.	▶ Bring batteriet op på den anbefalede arbejdstemperatur.
4 lysdioder blinker.	Borehammer kortvarigt overbelastet.	▶ Slip afbryderen, og betjen den igen.

8.3 Borehammeren er funktionsdygtig

Fejl	Mulig årsag	Løsning
Ingen slagfunktion.	Borehammer for kold.	▶ Sæt borehammeren på underlaget, og lad den køre i tomgang. Gentag om nødvendigt proceduren, indtil slagmekanismen arbejder.
	Funktionsvælger på "Boring uden slagfunktion"  .	▶ Sæt funktionsvælgeren på "Hammerboring"  .
	Borehammer indstillet til venstre-løb.	▶ Indstil omskifteren til valg af højre-/venstre-løb til højreløb.
Omdrejningsreguleringen kan ikke trykkes ned eller er blokeret.	Omskifter til valg af højre-/venstre-løb i midterposition.	▶ Tryk omskifteren til valg af højre-/venstre-løb til højre eller venstre.
Maskinens spindel roterer ikke.	Den maks. tilladte driftstemperatur i borehammerens elektroniske system er overskredet.	▶ Lad borehammeren køle af.
	Aflad batteri.	▶ Udskift batteriet, og oplad det tomme batteri.
Borehammeren slukkes automatisk.	Overbelastningsbeskyttelsen aktiveres.	▶ Slip afbryderen. Lad borehammeren køle af. Betjen afbryderen igen. Reducer maskinens belastning.
Batteriet aflades hurtigere end normalt.	Meget lav omgivende temperatur.	▶ Varm langsomt batteriet op til rumtemperatur.
Batteriet går ikke i indgreb med et tydeligt dobbeltklik.	Låsetapperne på batteriet er beskidte.	▶ Rengør låsetapperne, og bring batteriet i indgreb igen.



Fejl	Mulig årsag	Løsning
Kraftig varmeudvikling i borehammer eller batteri.	Elektrisk defekt	► Sluk omgående borehammeren. Tag batteriet ud, og hold øje med det. Lad det køle af. Kontakt Hilti Service .
	Borehammer overbelastet (anvendelsesgrænse overskredet).	► Vælg en maskine, der egner sig til opgaven.
Værktøjet kan ikke frigøres.	Borepatronen er ikke trukket helt tilbage.	► Træk værktøjslåsen tilbage indtil anslag, og tag værktøjet ud.
Værktøjet trænger ikke ind.	Borehammer indstillet til venstreløb.	► Indstil omskifteren til valg af højre-/venstreløb til højreløb.
	Funktionsvælger på "Boring uden slagfunktion"	► Sæt funktionsvælgeren på "Hammerboring"

9 Bortskaffelse



ADVARSEL

Fare for personskader på grund af ukorrekt bortskaffelse! Sundhedsfare på grund af udtrængen af gasser eller væsker.

- Beskadede batterier må under ingen omstændigheder sendes!
- Tildæk kontakterne med et ikke-ledende materiale, så kortslutninger undgås.
- Bortskaf batterier på en sådan måde, at børn ikke kan få fat på dem.
- Bortskaf batteriet hos din **Hilti Store**, eller henvend dig til det ansvarlige renovationsfirma.

Størstedelen af de materialer, som anvendes ved fremstillingen af **Hilti**-produkter, kan genvindes. Materialerne skal dog sorteres, før de kan genvindes. I mange lande kan du aflevere dine udtjente produkter til **Hilti**, som derefter genvinder dem. Spørg **Hilti**s kundeservice eller din forhandler.



- Elværktøj, elektriske maskiner og batterier må ikke bortskaffes sammen med almindeligt husholdningsaffald!

10 RoHS (direktiv til begrænsning af anvendelsen af farlige stoffer)

Under følgende link finder du tabellen med farlige stoffer: qr.hilti.com/r3159232.

Et link til RoHS-tabellen finder du i slutningen af denne dokumentation som QR-kode.

11 Producentgaranti

- Hvis du har spørgsmål vedrørende garantibetingelserne, bedes du henvende dig til din lokale **Hilti**-partner.

Originalbrugsanvisning

1 Uppgifter för dokumentation

1.1 Om denna dokumentation

- Läs denna dokumentation innan du börjar ta enheten i drift. Det är en förutsättning för säkert arbete och problemfri hantering.
- Observera de säkerhets- och varningsanvisningar som du hittar i dokumentationen och på själva enheten.
- Förvara alltid bruksanvisningen tillsammans med produkten och överlämna aldrig produkten till någon annan utan att bifoga den.



1.2 Teckenförklaring

1.2.1 Varningar

Varningarna är till för att varna för risker i samband med användning av produkten. Följande riskindikeringar används:



FARA

FARA !

- ▶ Anger överhängande risker som kan leda till svåra personskador eller dödsolycka.



VARNING

VARNING !

- ▶ Anger potentiella risker som kan leda till svåra personskador eller dödsfall.



FÖRSIKTIGHET

FÖRSIKTIGHET !

- ▶ Används för att uppmärksamma om en potentiell risksituation som kan leda till skador på person eller utrustning.

1.2.2 Symboler i dokumentationen

I den här dokumentationen används följande symboler:

	Läs bruksanvisningen före användning
	Anmärkningar och annan praktisk information
	Hantering av återvinningsbara material
	Elverktyg och batterier får inte kastas i hushållssoporna

1.2.3 Symboler i bilderna

Följande symboler används i bilder:

	Dessa siffror hänvisar till motsvarande bild i början av bruksanvisningen
	Numreringen återger ordningsföljden hos arbetsmomenten på bilden och kan skilja sig från arbetsmomenten i texten
	På bilden Översikt används positionsnummer som hänvisar till siffrorna i teckenförklaringen i avsnittet Produktöversikt
	Det här tecknet är till för att du ska vara extra uppmärksam på något som gäller hur du hanterar produkten.

1.3 Produktberoende symboler

1.3.1 Symboler på produkten

Följande symboler kan förekomma på produkten:

	Borring utan slag
	Borring med slag (hammarborring)
	Rotationsriktning
	Isolationsklass II (dubbelisolerad)
n_0	Nominellt varvtal, obelastat



	Likström
Li-Ion	Litiumjonbatteri
	Hilti-litiumjonbatteriserie som används. Observera uppgifterna i kapitlet Avsedd användning .
	Använd aldrig batteriet som slagverktyg.
	Låt inte batteriet falla ner på marken. Använd inte batterier som har utsatts för slag eller på annat sätt har skadats.
	Verktyget stöder NFC-teknik, som är kompatibel med iOS- och Android-plattformar.

1.4 Produktinformation

HILTI-produkter är avsedda för professionella användare och får endast användas, underhållas och repareras av auktoriserad, utbildad personal. Personalen måste vara särskilt informerad om de risker som finns. Produkten och dess tillbehör kan utgöra en risk om den används på ett felaktigt sätt av utbildad personal eller inte används enligt föreskrifterna.

Typbeteckning och serienummer anges på typskylten.

- ▶ Använd de serienummer som anges i följande tabell. Du behöver produktuppgifterna när du kontaktar vår återförsäljare eller serviceverkstad.

Produktdetaljer

Borrhammare	TE 4-A22
Generation	02
Serienr	

1.5 Försäkran om överensstämmelse

Vi försäkras på eget ansvar att den produkt som beskrivs här överensstämmer med tillämpliga direktiv och standarder. En bild på försäkran om överensstämmelse hittar du i slutet av dokumentationen.

Den tekniska dokumentationen finns sparad här:

Hilti Entwicklungsgesellschaft mbH | Zulassung Geräte | Hiltistraße 6 | 86916 Kaufering, Tyskland

2 Säkerhet

2.1 Allmänna säkerhetsföreskrifter för elverktyg

⚠ WARNING! Läs alla säkerhetsföreskrifter och anvisningar. Om säkerhetsföreskrifterna och anvisningarna inte följs finns risk för elektriska stöt, brand och/eller svåra skador.

Förvara alla säkerhetsföreskrifter och anvisningarna på ett säkert ställe för framtida användning.

Säker arbetsmiljö

- ▶ **Håll arbetsområdet rent och väl belyst.** Oordning eller bristfällig belysning på arbetsplatsen kan leda till olyckor.
- ▶ **Arbeta inte med elverktyget i omgivning med explosionsrisk där det finns brännbara vätskor, gaser eller damm.** Elverktyg alstrar gnistor som kan antända dammet eller gaserna.
- ▶ **Håll barn och obehöriga personer på betryggande avstånd under arbetet med elverktyget.** Om du störs av obehöriga personer kan du förlora kontrollen över verktyget.

Elektrisk säkerhet

- ▶ **Undvik kroppskontakt med jordade ytor som rör, värmeelement, spisar och kylskåp.** Det finns en större risk för elstöt om din kropp är jordad.
- ▶ **Skydda elverktyget från regn och väta.** Tränger vatten in i ett elverktyg ökar risken för elstöt.

Personsäkerhet

- ▶ **Var uppmärksam, se upp med vad du gör och använd elverktyg med förnuft.** Använd aldrig elverktyg om du är trött eller påverkad av droger, alkohol eller medicin. En kort sekund av bristande uppmärksamhet när du arbetar med ett elverktyg kan leda till att du skadar dig själv eller någon annan svårt.



- ▶ **Bär alltid personlig skyddsutrustning och skyddsglasögon.** Genom att använda personlig skyddsutrustning som t.ex. dammskyddsmask, halkfria säkerhetsskor, hjälm eller hörselskydd, beroende på vilket elverktyg du använder och till vad, minskar du risken för kroppsskada.
- ▶ **Undvik oavsiktlig igångsättning. Kontrollera att elverktyget är avstängt innan du ansluter det till batteriet, tar upp det eller bär det.** Om du bär elverktyget med fingret på strömbrytaren eller ansluter ett tillkopplat verktyg till nätströmmen kan en olycka inträffa.
- ▶ **Ta bort alla inställningsverktyg och skruvnycklar innan du kopplar in elverktyget.** Ett verktyg eller en nyckel i en roterande komponent kan leda till skador.
- ▶ **Undvik en onormal kroppshållning. Se till att du står stadigt och håller balansen.** Då kan du lättare kontrollera elverktyget i oväntade situationer.
- ▶ **Bär lämpliga kläder. Bär inte löst hängande kläder eller smycken. Håll håret, kläderna och hämskarna på avstånd från rörliga delar.** Löst hängande kläder, smycken och långt hår kan dras in av roterande delar.
- ▶ **När du använder elverktyg med anordningar för uppsugning och uppsamling av damm, bör du kontrollera att dessa anordningar är rätt monterade och används korrekt.** Används en dammsugare kan faror som orsakas av damm minskas.

Användning och hantering av elprodukter

- ▶ **Överbelasta inte verktyget. Använd elverktyg som är avsedda för det aktuella arbetet.** Med ett lämpligt elverktyg kan du arbeta bättre och säkrare inom angivet effektområde.
- ▶ **Använd aldrig elverktyget om strömbrytaren är defekt.** Ett elverktyg som inte kan kopplas in eller ur är farligt och måste repareras.
- ▶ **Sa ut batteriet innan du gör inställningar, byter tillbehör eller lägger ifrån dig verktyget.** Denna skyddsåtgärd förhindrar att du eller någon annan råkar sätta igång elverktyget av misstag.
- ▶ **Förvara elprodukter oåtkomligt för barn. Produkten får inte användas av personer som inte är vana eller inte har läst dessa anvisningar.** Elprodukter är farliga om de används av oerfarna personer.
- ▶ **Underhåll elverktygen noggrant. Kontrollera att rörliga komponenter fungerar felfritt och inte kärvar och att komponenter inte har brustit eller skadats så att elverktygets funktion påverkas negativt. Se till att skadade delar repareras innan verktyget används igen.** Många olyckor orsakas av dåligt skötta elverktyg.
- ▶ **Håll insatsverktygen skarpa och rena.** Omsorgsfullt skötta insatsverktyg med skarpa eggar kommer inte så lätt i kläm och går lättare att styra.
- ▶ **Använd produkten, tillbehör, insatsverktyg osv. enligt dessa anvisningar. Ta hänsyn till arbetsvillkoren och arbetsmomenten.** Används produkten på icke ändamålsenligt sätt kan farliga situationer uppstå.

Användning och hantering av batteriverktyg

- ▶ **Ladda endast batterierna i de laddare som tillverkaren har rekommenderat.** Brandrisk kan uppstå om en laddare som är avsedd för en viss typ av batterier används för andra batterityper.
- ▶ **Använd endast batterier som är avsedda för aktuellt elverktyg.** Används andra batterier finns det risk för kroppsskada och brand.
- ▶ **Håll gem, mynt, nycklar, spikar, skruvar och andra små metallföremål på avstånd från reservbatterier för att undvika kortslutning av kontakterna.** En kortslutning av batteriets kontakter kan leda till brännskador eller brand.
- ▶ **Om batteriet används på fel sätt kan vätska rinna ur batteriet. Undvik kontakt med vätskan.** Batterivätskan kan orsaka hudirritation eller brännskada. Vid oavsiktlig kontakt, skölj med vatten. Kontakta läkare om vätskan kommer i kontakt med ögonen.

Service

- ▶ **Låt endast kvalificerad fackpersonal reparera produkten och använd då endast originalreservdelar.** Detta garanterar att produktens säkerhet upprätthålls.

2.2 Ytterligare säkerhetsföreskrifter för borrhammare

Personsäkerhet

- ▶ Använd endast produkten och dess tillbehör om den är fullt funktionsduglig.
- ▶ Produkten eller dess tillbehör får inte byggas om eller ändras.
- ▶ Använd de extrahandtag som levereras tillsammans med produkten. Tappar du kontrollen över produkten kan det leda till skador.
- ▶ Vid genombrottsarbeten, tänk på att säkra området på motstående sida. Annars finns det risk för att det material som lossnar ramlar ner eller skjuter iväg och skadar människor i närheten.
- ▶ Håll alltid produkten i handtagen med båda händerna. Håll alltid handtaget torrt och rent.



- ▶ Håll i produktens isolerade greppytor när du utför arbeten där insatsverktyget riskerar att stöta på dolda elledningar. Vid kontakt med en spänningssatt ledning kan metalldelar på verktyget spänningssättas och ge dig en stöt.
- ▶ Rör inte vid roterande delar – risk för personskada!
- ▶ Använd alltid skyddsglasögon, skyddshjälm, hörselskydd och lämpligt andningsskydd när du använder produkten.
- ▶ Använd skyddshandskar vid verktygsbyte. Det finns risk för skär- och brännskador vid beröring av nyss använda insatsverktyg.
- ▶ Använd skyddsglasögon. Splitter kan skada oskyddade kroppsdelar och ögon.
- ▶ Damm som uppstår vid slipning, polering, kapning och borring kan innehålla farliga kemikalier. Exempel på sådana är: bly eller blybaserade färger, tegel, betong och andra murverksprodukter, natursten och andra produkter som innehåller silikat, Vissa träslag som ek och bok samt kemiskt behandlat trä, asbest eller material som innehåller asbest. Fastställ exponeringen för användaren och personer i närheten av arbetsområdet genom att kontrollera vilken riskklass det material som ska bearbetas tillhör. Vidta nödvändiga åtgärder för att hålla exponeringen på en säker nivå. Använd t.ex. ett dammuppsamlingssystem eller bär lämpligt andningsskydd. Allmänna åtgärder för att minska exponeringen är:
 - ▶ Arbeta i ett välventilerat utrymme,
 - ▶ Undvik längre kontakt med damm,
 - ▶ Led bort damm från ansiktet och kroppen,
 - ▶ Bär skyddskläder och tvätta exponerade områden med tvål och vatten.
- ▶ Ta ofta paus i arbetet och utför fingerövningar som ökar blodgenomströmningen i fingrarna. Vid långvarigt, ihållande arbete kan de starka vibrationerna ge besvär i blodkärl och nerver i fingrarna, händerna och handlederna.

Elektrisk säkerhet

- ▶ Undersök om det finns dolda el-, gas- och vattenledningar inom arbetsområdet innan du påbörjar arbetet. Utanpåliggande metalldelar på produkten kan orsaka elstöt eller explosion om du skadar en el-, gas- eller vattenledning.

Omsorgsfull hantering och användning av elverktyg

- ▶ Stäng genast av produkten om insatsverktyget blockeras. Produkten kan vridas i sidled.
- ▶ Vänta tills produkten har stannat helt innan du lägger den ifrån dig.

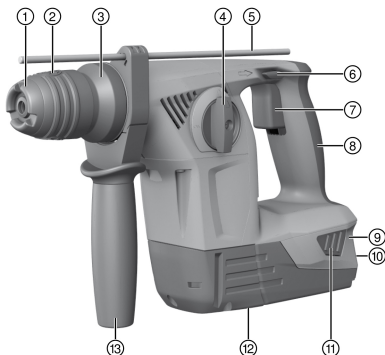
2.3 Omsorgsfull hantering och användning av batterier

- ▶ Observera de särskilda föreskrifterna för transport, förvaring och användning av litiumjonbatterier.
- ▶ Utsätt inte batterierna för höga temperaturer, direkt solljus eller eld.
- ▶ Batterier får inte tas isär, klämmas, upphettas till mer än 80 °C (176 °F) eller brännas upp.
- ▶ Använd eller ladda inte batterier som tagit emot slag, har fallit från över en meters höjd eller är skadade på något annat sätt. I sådana fall, kontakta **Hilti-service**.
- ▶ Om batteriet är så hett att du inte kan ta i det kan det vara defekt. Ställ batteriet på en plats där inget riskerar att fatta eld och på betryggande avstånd från brännbart material. Låt batteriet svalna. Om batteriet efter en timme fortfarande är så hett att det inte går att ta i är det defekt. Kontakta **Hilti-service**.



3 Beskrivning

3.1 Verktygets delar, reglage och indikeringar



- ① Dammskydd
- ② Chuck
- ③ Chuckhylsa
- ④ Funktionsväljare
- ⑤ Djupmått
- ⑥ Omkopplare för höger- och vänstervarv med påkopplingsspärr
- ⑦ Strömbrytare
- ⑧ Handtag
- ⑨ Batteri
- ⑩ Laddningsstatus- och felindikering (litiumjonbatteri)
- ⑪ Låsknapp för batteriet
- ⑫ Anslutning för dammsugarmodul TE DRS-4-A(01)
- ⑬ Sidohandtag

3.2 Avsedd användning

Den beskrivna produkten är en batteridrivna borrhämmare. Den är avsedd för borring i stål, trä och tegel, för hammarborring i betong och tegel och för skruvdragnig.

- Använd endast **Hilti** litiumjonbatterier av typen Li-Ion B 22 med produkten.
- Använd endast batteriladdare som är godkända av **Hilti** till dessa batterier. Mer information finns i din **Hilti Store** eller på: www.hilti.group

3.3 Indikering för litiumjonbatteriet

När du använder litiumjonbatteriet kan du ta reda på vad det har för laddningsstatus genom att trycka på en av utlösningknapparna.

Status	Betydelse
4 lysdioder lyser.	Laddningsstatus: 75 % till 100 %
3 lysdioder lyser.	Laddningsstatus: 50 % till 75 %
2 lysdioder lyser.	Laddningsstatus: 25 % till 50 %
1 lysdiod lyser.	Laddningsstatus: 10 % till 25 %
1 LED blinkar.	Laddningsstatus: < 10 %

Under pågående arbete och strax efteråt går det inte att läsa av laddningsstatus. Läs anvisningarna i kapitlet Felsökning om batteriets lysdioder för laddningsindikering blinkar.

3.4 Leveransinnehåll

Borrhämmare, sidohandtag, djupmått, bruksanvisning.

Dammsugarmodulen TE DRS-4-A (01) rekommenderas som tillbehör för arbeten där det inte uppstår så mycket damm.



Dessutom finns fler systemprodukter för din produkt både i närmaste **Hilti Store** och på nätet: www.hilti.group

4 Teknisk information

4.1 Borrhammare

	TE 4-A22
Vikt enligt EPTA Procedure 01 inklusive batteri B228.0	3,9 kg
Enkelslagsenergi enligt EPTA-direktivet 05/2009	2 J
Borrhålsdiameter i betong/tegel (hammarborring)	4 mm ... 28 mm
Borrhålsdiameter i trä (solitt borr)	3 mm ... 20 mm
Borrhålsdiameter i metall (solitt borr)	3 mm ... 10 mm

4.2 Bullerinformation och vibrationsvärden

De ljudtrycks- och vibrationsvärden som anges i anvisningarna har uppmätts med en standardiserad mätmetod och kan användas för att jämföra olika elverktyg med varandra. De kan också användas för att göra en preliminär uppskattning av exponeringarna. De angivna värdena representerar borrhammarens huvudsakliga användning. När elverktyget begagnas inom andra områden, med andra insatsverktyg eller med otillräckligt underhåll, kan mätning ge avvikande värden. Det innebär att exponeringen under den totala arbetstiden kan ökas betydligt. För att uppskattningen av exponeringarna ska bli exakt bör man också räkna in de tider då verktyget är frånkopplat, eller då det är tillkopplat men inte används. Detta kan minska exponeringen betydligt under den totala arbetstiden. Vidta även andra säkerhetsåtgärder för att skydda användaren mot effekterna av buller och/eller vibrationer, exempelvis: Underhåll av elverktyg och insatsverktyg, möjlighet att hålla händerna varma, organisation av arbetsförloppen.

Värden för bulleremission bestämda enligt EN 60745

Ljudeffektnivå (L_{WA})	99 dB(A)
Osäkerhet ljudeffektnivå (K_{WA})	3 dB(A)
Ljudtrycksnivå (L_{pA})	88 dB(A)
Osäkerhet ljudtrycksnivå (K_{pA})	3 dB(A)

Totala vibrationsvärden har uppmätts i överensstämmelse med EN 60745

Hammarborring i betong ($a_{h, HD}$)	11 m/s ²
Osäkerhet (K)	1,5 m/s ²

4.3 Batteri

Batteriets driftspänning	21,6 V
Omgivningstemperatur vid drift	-17 °C ... 60 °C
Förvaringstemperatur	-20 °C ... 40 °C
Batteritemperatur när laddningen påbörjas	-10 °C ... 45 °C

5 Användning

5.1 Förberedelser för arbete

VARNING

Risk för personskada till följd av oavsiktlig start!

- ▶ Kontrollera att produkten är avstängd innan du sätter i batteriet.
- ▶ Ta alltid bort batteriet innan du gör några inställningar på verktyget eller byter tillbehördelar.

Observera de säkerhets- och varningsanvisningar som du hittar i dokumentationen och på själva enheten.

5.1.1 Montera sidohandtag

1. Vrid på handtaget för att lossa sidohandtagsfästet (spännbandet).



2. Skjut fästet framifrån över chucken tills det går i det därför avsedda spåret.
3. Placera sidohandtaget i önskat läge.
4. Vrid på handtaget för att spänna fast sidohandtagsfästet (spännbandet).

5.1.2 Sätta i batteriet

1. Sätt i batteriet i verktygshållaren så att du hör att det klickar fast.
2. Kontrollera att batteriet sitter stadigt.

5.1.3 Ta ut batteriet

1. Tryck på knappen för batteriets låsspärr.
2. Dra batteriet bakåt och ut.

5.1.4 Byta insatsverktyg

1. Fetta in insticksänden på insatsverktyget en aning.
 - ▶ Använd endast originalfett från Hilti. En felaktigt fett kan orsaka skador på verktyget.
2. Stick in insatsverktyget i chucken så att det går i lås.
3. Dra i verktyget efter isättningen för att kontrollera att det sitter ordentligt fast.
 - ▶ Nu är produkten färdig att användas.

5.1.5 Ta ur insatsverktyg

FÖRSIKTIGHET

Risk för personskada från insatsverktyg! Insatsverktyget kan vara hett och ha skarpa kanter.

- ▶ Använd alltid skyddshandskar när du byter insatsverktyg.

- ▶ Dra chuckhylsan tillbaka till anslag och ta ut insatsverktyget.

5.1.6 Montera djupmått (tillval)

1. Vrid på handtaget för att lossa sidohandtagsfästet (spännbandet).
2. Skjut in djupmättet framifrån i de två genomföringshål.
3. Vrid på handtaget för att spänna fast sidohandtagsfästet (spännbandet).

5.2 Arbeta

VARNING

Risk för skador till följd av felaktig hantering!


- ▶ Använd inte rotationsriktningsomställaren och/eller funktionsväljaren under drift.

Observera de säkerhets- och varningsanvisningar som du hittar i dokumentationen och på själva enheten.

5.2.1 Rotationsriktning

- ▶ Ställ in rotationsriktning.
 - ▶ Omkopplaren snäpps fast i den här positionen.

5.2.2 Borring utan slag

- ▶ Ställ funktionsväljaren på den här symbolen: .

5.2.3 Borring med slag

- ▶ Ställ funktionsväljaren på den här symbolen: .

6 Skötsel och underhåll

6.1 Skötsel och underhåll

VARNING

Risk för personskada vid anslutet batteri !

- ▶ Ta alltid bort batteriet innan skötsel och underhåll utförs!



Skötsel av produkten

- Ta försiktigt bort smuts som sitter fast.
- Rengör ventilationsspringorna försiktigt med en torr och mjuk borste i förekommande fall.
- Rengör höljet bara med en lätt fuktad trasa. Använd inte rengöringsmedel med silikon, eftersom det kan skada plastdelarna.
- Använd en ren och torr trasa för att rengöra produktens kontakter.

Skötsel av litiumjonbatterier

- Använd aldrig ett batteri med tilltäppta ventilationsspringor. Rengör ventilationsspringorna försiktigt med en torr och mjuk borste.
- Undvik att utsätta batteriet för damm eller smuts i onödan. Utsätt aldrig batteriet för hög fuktighet (t.ex. sänka ner det i vatten eller lämna det ute i regnet).
Om ett batteri har blivit blött behandlar du det som ett skadat batteri. Isolera det i en icke brännbar behållare och kontakta **Hilti**-service.
- Håll batteriet fritt från främmande olja och fett. Låt inte onödigt mycket damm eller smuts ansamlas på batteriet. Rengör batteriet med en mjuk borste eller en ren och torr trasa. Använd inte rengöringsmedel med silikon, eftersom det kan skada plastdelarna.
Rör inte vid batteriets kontakter och ta inte bort fett som har applicerats på kontakterna i fabriken.
- Rengör höljet bara med en lätt fuktad trasa. Använd inte rengöringsmedel med silikon, eftersom det kan skada plastdelarna.

Underhåll

- Kontrollera regelbundet att inga synliga delar har skadats och att alla reglage fungerar som de ska.
- Använd inte produkten om den uppvisar skador eller funktionsstörningar. Låt **Hilti Service** reparera produkten omgående.
- Efter skötsel- och underhållsarbeten ska alla skyddsanordningar monteras igen och kontrolleras.



Använd endast originalreservdelar och förbrukningsmaterial för säker drift. Godkända reservdelar, förbrukningsmaterial och tillbehör till din produkt från **Hilti** hittar du i närmaste **Hilti Store** eller på www.hilti.group

6.2 Rengöring av dammskyddskåpan

- ▶ Rengör regelbundet dammskyddet på chucken med en ren, torr torkduk.
- ▶ Torka försiktigt läpptätningen ren och fetta på nytt i den lätt med **Hilti**-fett.
- ▶ Byt ut dammskyddet om läpptätningen har skadats.

7 Transport och förvaring

7.1 Transport och förvaring av sladdlösa verktyg och batterier

Transport

FÖRSIKTIGHET

Oavsiktlig start under transport. !

- ▶ Transportera alltid produkten utan insatta batterier.
- ▶ Ta ut batteriet/batterierna.
- ▶ Transportera aldrig batterierna löst liggande. Under transport ska batterierna skyddas mot alltför hårda stötar och vibrationer samt hållas isolerade från eventuella ledande material eller andra batterier så att de inte kommer i kontakt med andra batteripoler och orsakar en kortslutning. **Observera lokala transportföreskrifter för batterier.**
- ▶ Batterier får inte skickas per post. Vänd dig till ett fraktbolag om du vill skicka intakta batterier.
- ▶ Kontrollera produkt och batterier före varje användning samt före och efter längre transport för att se till att de inte är skadade.

Förvaring

VARNING

Oavsiktlig skada på grund av trasiga eller läckande batterier. !

- ▶ Förvara alltid produkten utan insatta batterier.
- ▶ Förvara produkt och batterier svalt och torrt. Följ de temperaturgränsvärden som anges i den tekniska informationen.



- ▶ Förvara inte batterierna i batteriladdaren. Ta alltid ur batteriet ur laddaren när laddningen är klar.
- ▶ Förvara aldrig batterier i solen, på värmekällor eller bakom glas.
- ▶ Förvara produkt och batteri utom räckhåll för barn och obehöriga personer.
- ▶ Kontrollera produkt och batterier före varje användning samt före och efter längre tids förvaring för att se till att de inte är skadade.

8 Felsökning


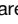
8.1 Felsökning

Kontakta **Hilti Service** om det uppstår ett fel som inte finns med i den här tabellen eller som du inte lyckas åtgärda på egen hand.



8.2 Borrhammaren fungerar inte

Fel	Möjlig orsak	Lösning
Lysdioderna visar inget.	Batteriet har inte satts in helt.	▶ Sätt in batteriet så att ett dubbelklick hörs.
	Batteriet är urladdat.	▶ Byt batteri och ladda det tomma batteriet.
1 lysdiod blinkar.	Batteriet är urladdat.	▶ Byt batteri och ladda det tomma batteriet.
	Batteriet för varmt eller för kallt.	▶ Låt batteriet få rekommenderad arbetstemperatur.
4 lysdioder blinkar.	Borrhammaren har överlastats under en kortare tid.	▶ Släpp strömbrytaren och tryck in den igen.

8.3 Borrhammaren fungerar

Fel	Möjlig orsak	Lösning
Inget slag.	Borrhammaren är för kall.	▶ Sätt borrhammaren på underlaget och kör den i tomgång. Upprepa detta om så krävs, tills slagmekanismen kommer igång.
	Funktionsväljaren på "borrning utan slag"  .	▶ Sätt funktionsväljaren på "hammarbörning"  .
	Borrhammaren har kopplats till vänstervarv.	▶ Ställ omkopplaren för höger- och vänstervarv på högervarv.
Strömbrytaren kan inte tryckas ner resp. är spärrad.	Omkopplaren för höger- och vänstervarv i mittenläge.	▶ Tryck omkopplaren för höger- och vänstervarv åt höger eller vänster.
Verktygsspindeln roterar inte.	Tillåten drifttemperatur för borrhammarens elektronik har överskridits.	▶ Låt borrhammaren svalna.
	Batteriet är urladdat.	▶ Byt batteri och ladda det tomma batteriet.
Borrhammaren kopplas från automatiskt.	Överlastskyddet utlöses.	▶ Släpp strömbrytaren. Låt borrhammaren svalna. Använd strömbrytaren igen. Minska verktygsbelastningen.
Batteriet laddas ur fortare än vanligt.	Mycket låg omgivningstemperatur.	▶ Låt batteriet långsamt värmas upp till rumstemperatur.
Batteriet hakar inte i med ett hörbart "dubbelklick".	Batteriets låsmekanism är smutsig.	▶ Rengör låsmekanismen och sätt in batteriet igen.




Fel	Möjlig orsak	Lösning
Stark värmeutveckling i borrhammaren eller batteriet.	Elektriskt fel	► Koppla genast från borrhammaren. Ta bort batteriet och granska det. Låt det svalna. Kontakta Hilti-service .
	Borrhammaren har överlastats (applikationsgräns överskriden).	► Välj ett verktyg som passar för uppgiften.
Det går inte att ta ut insatsverktyget ur chucken.	Chucken har inte dragits tillbaka helt.	► Dra chuckhylsan tillbaka till anslag och ta ut verktyget.
Insatsverktyget tränger inte in i underlaget.	Borrhammaren har kopplats till vänsterverv.	► Ställ omkopplaren för höger- och vänsterverv på högerverv.
	Funktionsväljaren på "borrning utan slag"  .	► Sätt funktionsväljaren på "hammarbörning"  IT .

9 Avfallshantering

VARNING

Risk för personskada på grund av felaktig avfallshantering! Hälsorisk på grund av läckande gaser eller syror.

- Skicka aldrig iväg skadade batterier!
- Täck anslutningarna med ett icke ledande material för att förhindra kortslutningar.
- Kasserar batterier så att de inte kan hamna i händerna på barn.
- Kasserar batteriet hos din **Hilti Store** eller vänd dig till närmaste återvinningscentral.

 **Hilti**-produkter är till stor del tillverkade av återvinningsbara material. En förutsättning för återvinning är att materialen separeras på rätt sätt. I många länder tar **Hilti** tillbaka din gamla enhet för återvinning. Fråga **Hilti** kundservice eller din säljare.



- Kasta inte elverktyg, elektronisk apparatur och batterier i hushållssoporna.

10 RoHS (föreskrifter för begränsning av användningen av farliga ämnen)

Använd den här länken för att komma till tabellen över farliga ämnen: qr.hilti.com/r3159232.

En länk till RoHS-tabellen hittar du i slutet på det här dokumentet i form av en QR-kod.

11 Tillverkargaranti

- Vänd dig till din lokala **Hilti**-representant om du har frågor om garantivillkoren.

Original bruksanvisning

1 Informationsjon om dokumentasjonen

1.1 Om denne dokumentasjonen

- Les denne dokumentasjonen før du tar produktet i bruk. Dette er en forutsetning for sikkerhet under arbeidet og problemfritt bruk.
- Følg sikkerhetshenvisningene og advarslene i denne dokumentasjonen og på produktet.
- Oppbevar alltid bruksanvisningen på produktet, og lever bruksanvisningen fra deg sammen med produktet hvis det overtas av andre personer.

1.2 Symbolforklaring

1.2.1 Farehenvisninger

Farehenvisninger advarer mot farer under håndtering av produktet. Følgende signalord brukes:



FARE
FARE !

- For en umiddelbart truende fare som kan føre til alvorlige personskader eller død.

ADVARSEL
ADVARSEL !

- Varsler en mulig fare som kan føre til alvorlige personskader eller død.

FORSIKTIG
FORSIKTIG !

- Varsler om en mulig farlig situasjon som kan føre til personskade eller materiell skade.

1.2.2 Symboler i dokumentasjonen

Følgende symboler brukes i denne dokumentasjonen:

	Les bruksanvisningen før bruk
	Anvisninger om bruk og annen nyttig informasjon
	Håndtering av resirkulerbare materialer
	Ikke kast elektriske apparater eller batterier i husholdningsavfallet

1.2.3 Symboler i illustrasjoner

Følgende symboler brukes i illustrasjonene:

	Disse tallene henviser til illustrasjonen foran i denne bruksanvisningen
	Nummereringen angir rekkefølgen for arbeidstrinnene på bildet og kan avvike fra arbeidstrinnene i teksten
	Posisjonsnumrene brukes i illustrasjonen Oversikt og henviser til numrene på teksten i avsnittet Produktoversikt
	Dette symbolet betyr at håndtering av produktet krever stor grad av oppmerksomhet.

1.3 Produktavhengige symboler

1.3.1 Symboler på produktet

Følgende symboler kan brukes på produktet:

	Boring uten slag
	Boring med slag (hammerboring)
	Høyre-/venstregang
	Beskyttelsesklasse II (dobbelisolert)
n_0	Nominelt tomgangsturtall
	Likestrøm
Li-ion	Li-ion-batteri
	Benyttet Hilti li-ion-batteriserie. Følg anvisningene i kapitlet Forskriftsmessig bruk .
	Bruk aldri batteriet som slagverktøy.



	Ikke mist ned batteriet. Ikke bruk et batteri som har vært utsatt for støt eller er skadet på annen måte.
	Maskinen støtter NFC-teknologi som er kompatibel med iOS- og Android-plattformer.

1.4 Produktinformasjon

HILTI-produkter er laget for profesjonell bruk og må kun brukes, vedlikeholdes og repareres av kyndig personell. Dette personellet må informeres om eventuelle farer som kan oppstå. Produktet og tilleggsutstyr kan utgjøre en fare hvis det betjenes av ukvalifisert personell eller det benyttes feil.

Typebetegnelse og serienummer står på typeskiltet.

- ▶ Skriv inn serienummeret i tabellen nedenfor. Du trenger produktopplysningene ved henvendelser til Hilti representant eller servicesenter.

Produktspesifikasjoner

Borhammer	TE 4-A22
Generasjon	02
Serienummer	

1.5 Samsvarserklæring

Vi erklærer herved at produktet som er beskrevet her, overholder gjeldende normer og direktiver. Du finner et bilde av samsvarserklæringen på slutten av denne dokumentasjonen.

Den tekniske dokumentasjonen er lagret her:

Hilti Entwicklungsgesellschaft mbH | Zulassung Geräte | Hiltistraße 6 | 86916 Kaufering, DE

2 Sikkerhet

2.1 Generelle sikkerhetsregler for elektroverktøy

⚠ ADVARSEL! Les alle sikkerhetsanvisninger og andre anvisninger. Manglende overholdelse av sikkerhetsanvisninger og andre anvisninger kan medføre elektrisk støt, brann og/eller alvorlige skader. Overhold alle sikkerhetsanvisninger og instruksjoner i hele bruksperioden.

Sikkerhet på arbeidsplassen

- ▶ **Hold arbeidsområdet rent og godt opplyst.** Rotete eller dårlig belyste arbeidsområder kan føre til ulykker.
- ▶ **Bruk ikke elektroverktøyet i eksplosjonsfarlige omgivelser hvor det befinner seg brennbare flytende stoffer, gasser eller støv.** Elektroverktøy lager gnister som kan antenne støv eller damp.
- ▶ **Hold barn og andre personer på sikker avstand mens elektroverktøyet brukes.** Hvis du blir forstyrret under arbeidet, kan du miste kontrollen over verktøyet.

Elektrisk sikkerhet

- ▶ **Unngå kroppskontakt med jordete overflater som rør, radiatorer, komfyrer og kjøleskap.** Risikoen for elektrisk støt er høyere når kroppen er jordnet.
- ▶ **Hold elektroverktøyet unna regn og fuktighet.** Risikoen for elektrisk støt øker ved inntrenging av vann i et elektroverktøy.

Personsikkerhet

- ▶ **Vær oppmerksom, pass på hva du gjør, og gå fornuftig fram under arbeidet med et elektroverktøy. Ikke bruk elektroverktøy når du er trøtt eller påvirket av narkotika, alkohol eller medikamenter.** Et øyeblikks uoppmerksomhet ved bruk av elektroverktøyet kan være nok til å forårsake alvorlige personskader.
- ▶ **Bruk alltid personlig verneutstyr og vernebriller.** Bruk av personlig verneutstyr som støvmaske, sklisikre vernesko, hjelm eller hørselsvern – avhengig av type og bruk av elektroverktøyet – reduserer risikoen for skader.
- ▶ **Unngå utilsiktet start. Forsikre deg om at elektroverktøyet er slått av før du kobler det til stikkontakten eller batteriet, løfter eller flytter på det.** Hvis du holder fingeren på bryteren når du bærer elektroverktøyet, eller kobler elektroverktøyet til strøm i innkoblet tilstand, kan dette føre til uhell.
- ▶ **Fjern justeringsverktøy og skrunøkkel før du slår på elektroverktøyet.** Et verktøy eller en nøkkel som befinner seg i en roterende maskindel, kan føre til skader.



- ▶ **Unngå uhensiktsmessige arbeidsposisjoner. Sørg for å stå stødig og i balanse.** Dermed kan du kontrollere elektroverktøyet bedre i uventede situasjoner.
- ▶ **Bruk egnede klær. Ikke bruk vide klær eller smykker. Hold hår, tøy og hansker unna deler som beveger seg.** Løstsittende tøy, smykker eller langt hår kan komme inn i deler som beveger seg.
- ▶ **Hvis det er montert støvavsugs- og oppsamlingsinnretninger, må det kontrolleres at disse er koblet til og blir brukt på riktig måte.** Bruk av støvavsug kan redusere faremomentene i forbindelse med støv.

Bruk og behandling av elektroverktøyet

- ▶ **Ikke overbelast verktøyet. Bruk et elektroverktøy som er beregnet til den type arbeid du vil utføre.** Med et passende elektroverktøy arbeider du bedre og sikrer i det angitte effektområdet.
- ▶ **Ikke bruk elektroverktøy med defekt bryter.** Et elektroverktøy som ikke lenger kan slås av eller på, er farlig og må repareres.
- ▶ **Fjern batteriet før du foretar maskininnstillinger, skifter tilbehørsdeler eller legger vekk maskinen.** Disse tiltakene forhindrer en utilsiktet start av elektroverktøyet.
- ▶ **Oppbevar elektroverktøy som ikke brukes utenfor barns rekkevidde. La ikke personer som ikke er fortrolige med eller ikke har lest instruksjonene, bruke verktøyet.** Elektroverktøy er farlige når de brukes av uerfarne personer.
- ▶ **Sørg for grundig stell av elektroverktøy. Kontroller at bevegelige deler på elektroverktøyet fungerer feilfritt og ikke klemmes fast, og om deler er brukket eller skadet, slik at dette innvirker på elektroverktøyet funksjon. La skadde deler repareres før elektroverktøyet brukes.** Mange ulykker er et resultat av dårlig vedlikeholdte elektroverktøy.
- ▶ **Hold skjæreverktøy skarpe og rene.** Godt vedlikeholdte skjæreverktøy med skarpe skjærekanten blir sjeldnere fastklemt og er lettere å styre.
- ▶ **Bruk elektroverktøy, tilbehør, arbeidsverktøy osv. i overensstemmelse med denne anvisningen. Ta hensyn til arbeidsforholdene og arbeidet som skal utføres.** Bruk av elektroverktøy til andre formål enn det som er angitt, kan føre til farlige situasjoner.

Bruk og behandling av det batteridrevne elektroverktøyet

- ▶ **Bruk kun ladere som er anbefalt av produsenten når du skal lade batteriene.** Det oppstår brannfare når det brukes andre batterier i en lader enn dem laderen er egnet for.
- ▶ **Bruk bare batterier som er beregnet for de forskjellige elektroverktøyene.** Bruk av andre batterier kan medføre skader og brannfare.
- ▶ **Unngå å oppbevare ubrukte batterier i nærheten av binders, mynter, nøkler, nagler, skruer eller andre små metallgjenstander som kan forårsake kortslutning av kontakten.** En kortslutning mellom batterikontaktene kan føre til forbrenning eller brann.
- ▶ **Ved feil bruk kan væske lekk fra batteriet. Unngå kontakt med denne væsken.** Batterivæske som renner ut, kan føre til iritasjoner på huden eller forbrenninger. Ved tilfeldig kontakt må det skylles med vann. Hvis det kommer væske i øynene, må du i tillegg oppsøke lege.

Service

- ▶ **Elektroverktøyet må kun repareres av kvalifisert fagpersonale og kun med originale reservedeler.** Slik opprettholdes elektroverktøyet sikkerhet.

2.2 Ekstra sikkerhetsanvisninger for borhammer

Personsikkerhet

- ▶ Bruk produktet og tilbehøret bare i teknisk feilfri stand.
- ▶ Ikke foreta manipulering eller endring av produktet eller tilbehør.
- ▶ Bruk håndtakene som leveres med produktet. Tap av kontroll kan føre til personskader.
- ▶ Ved gjennombruddsarbeider må området på den andre siden sikres. Deler som brytes ut, kan falle ut og/eller ned og skade andre personer.
- ▶ Hold alltid maskinen fast med begge hender i håndtakene som er beregnet til formålet. Hold håndtakene tørre og rene.
- ▶ Hold produktet i de isolerte håndtakene når du utfører arbeid der verktøyet kan komme i kontakt med elektriske ledninger. Kontakt med en spenningsførende ledning kan også sette maskinens metalldele under spenning og føre til elektrisk støt.
- ▶ Unngå å berøre de roterende delene. Fare for personskader!
- ▶ Benytt øyevern, hjelm, hørselsvern og en egnet støvmaske ved bruk av produktet.
- ▶ Bruk vernehansker ved skifte av verktøy. Berøring av innsatsverktøyet kan føre til kuttskader og forbrenninger.
- ▶ Bruk øyevern. Splintret materiale kan skade kroppen og øynene.



- ▶ Støv som oppstår ved sliping, smergling, kapping og boring kan inneholde farlige kjemikalier. Noen eksempler er: bly eller blybasert maling; tegl, betong og andre murverksprodukter, naturstein og andre silikatholdige produkter; bestemt tresorter, slik som eik, bøk og kjemisk behandlet trevirke; asbest eller asbestholdige materialer. Kartlegg hvor eksponert brukeren og personer i nærheten er ved hjelp av fareklassen til materialene som det arbeides med. Treff nødvendige tiltak for å holde eksponeringen på et trygt nivå, f.eks. ved å bruke et støvoppsamlingsystem eller egnet åndedrettsvern. Til de generelle tiltakene for å redusere eksponeringen hører:
 - ▶ arbeid i et godt ventilert område,
 - ▶ unngå langvarig kontakt med støv,
 - ▶ led bort støv fra ansikt og kropp,
 - ▶ bruk verneutstyr og vask eksponerte områder med vann og såpe.
- ▶ Ta hyppige pauser og gjør øvelser for å øke blodgjennomstrømmingen i fingrene. Ved langvarig arbeid kan kraftige vibrasjoner føre til forstyrrelser i blodkar eller nervesystemet i fingre, hender eller håndledd.

Elektrisk sikkerhet

- ▶ Kontroller før arbeidet påbegynnes at det ikke finnes skjulte strømedninger, gass- eller vannrør i arbeidsområdet. Utvendige metalldele på produktet kan forårsake elektrisk støt eller en eksplosjon dersom du skader en strømedning, et gass- eller vannrør.

Forsiktig behandling og bruk av elektroverktøy

- ▶ Slå produktet av umiddelbart hvis innsatsverktøyet setter seg fast. Produktet kan gli ut til siden.
- ▶ Vent til produktet har stanset helt før du legger det fra deg.

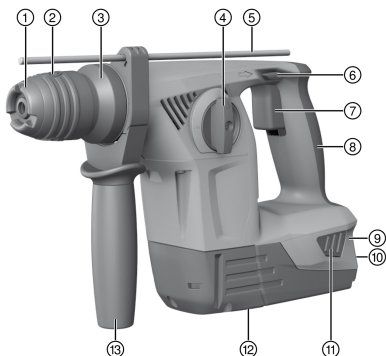
2.3 Aktsom håndtering og bruk av batterier

- ▶ Ta hensyn til spesielle retningslinjer for transport, lagring og bruk av Li-Ion-batterier.
- ▶ Hold batteriene unna høye temperaturer, direkte solskinn og åpen ild.
- ▶ Batteriene må ikke tas fra hverandre, klemmes, varmes opp over 80 °C (176 °F) eller brennes.
- ▶ Ikke bruk eller lad opp batterier som har fått et støt, har falt ned over en meter eller er skadet på annen måte. Kontakt i slike tilfeller alltid **Hilti service**.
- ▶ Hvis batteriet er for varmt til å ta i, kan det være defekt. Plasser batteriet på et synlig, ikke brennbart sted med tilstrekkelig avstand til brennbare materialer. La batteriet avkjøles. Hvis batteriet fremdeles er for varmt til å ta i etter en time, er det defekt. Kontakt **Hilti service**.



3 Beskrivelse

3.1 Maskinkomponenter, betjeningslementer og grafiske elementer



- ① Støvkappe
- ② Chuck
- ③ Verktøyutløser
- ④ Funksjonsvelger
- ⑤ Dybdeanlegg
- ⑥ Bryter for høyre-/venstregang med innkoblingssperre
- ⑦ Kontrollbryter
- ⑧ Håndtak
- ⑨ Batteri
- ⑩ Lade- og feilindikator (Li-Ion-batteri)
- ⑪ Låseknapper for batteri
- ⑫ Tilkobling for støvmodul TE DRS-4-A(01)
- ⑬ Sidehåndtak

3.2 Forskriftsmessig bruk

Det beskrevne produktet er en batteridrevet borhammer. Den er beregnet til hammerboring i betong og mur, boring i stål, tre og mur og til innskruing og løsning av skruer.

- Til dette produktet må det bare brukes **Hilti** Li-Ion-batterier i serien B 22.
- Bruk bare ladere som er godkjent av **Hilti** til disse batteriene. Du finner mer informasjon i **Hilti Store** eller under: www.hilti.group

3.3 Indikator for Li-Ion-batteriet

Ved bruk av Li-Ion-batterier kan ladenivået vises ved å trykke på en av låseknappene.

Tilstand	Betydning
4 LED-er lyser.	Ladenivå: 75 % til 100 %
3 LED-er lyser.	Ladenivå: 50 % til 75 %
2 LED-er lyser.	Ladenivå: 25 % til 50 %
1 LED lyser.	Ladenivå: 10 % til 25 %
1 LED blinker.	Ladenivå: < 10 %

Mens arbeidet pågår, og umiddelbart etterpå, er det ikke mulig å vise ladenivået. Ved blinkende LED-er på batteriets ladenivåindikator må du følge henvisningene i kapitlet om feilsøking.

3.4 Dette følger med:

Borhammer, sidehåndtak, dybdeanlegg, bruksanvisning.

Støvmodulen TE DRS-4-A (01) tilbys som tilbehør for å kunne arbeide med liten støvdannelse.

I tillegg finner du tillatte systemprodukter til produktet hos nærmeste **Hilti Store** eller under: www.hilti.group



4 Tekniske data

4.1 Borhammer

	TE 4-A22
Vekt i henhold til EPTA Procedure 01 med batteri B228.0	3,9 kg
Enkeltslagenergi i henhold til EPTA-prosedyre 05/2009	2 J
Boreområde i betong/mur (hammerboring)	4 mm ... 28 mm
Boreområde i tre (massivt bor)	3 mm ... 20 mm
Boreområde i metall (massivt bor)	3 mm ... 10 mm

4.2 Støyinformasjon og vibrasjonsverdier

Lydtrykk- og vibrasjonsverdiene som er angitt i denne bruksanvisningen, er målt i samsvar med en normert målemetode og kan brukes til sammenligning av elektroverktøy. De egner seg også til en foreløpig vurdering av eksponeringene. De angitte dataene representerer de viktigste bruksområdene for elektroverktøyet. Men hvis elektroverktøyet brukes til andre formål, med avvikende innsatsverktøy eller med utilstrekkelig vedlikehold, kan dataene avvike. Dette kan øke eksponeringene betraktelig gjennom hele arbeidsperioden. For å få en nøyaktig vurdering av eksponeringene må man også ta hensyn til tidsrommene da maskinen er slått av eller er i gang, men ikke i drift. Dette kan redusere eksponeringene betraktelig gjennom hele arbeidsperioden. Fastsett ekstra sikkerhetstiltak for å beskytte operatøren mot effekten av støy og/eller vibrasjoner, for eksempel: Vedlikehold av elektroverktøy og innsatsverktøy, holde hendene varme, organisering av arbeidsprosesser.

Støyutslippsverdier målt i henhold til EN 60745

Lydeffektnivå (L_{WA})	99 dB(A)
Usikkerhet lydeffektnivå (K_{WA})	3 dB(A)
Avgitt lydtrykk (L_{pA})	88 dB(A)
Usikkerhet lydtrykknivå (K_{pA})	3 dB(A)

Totale vibrasjonsverdier målt i henhold til EN 60745

Hammerboring i betong ($a_{h, HD}$)	11 m/s ²
Usikkerhet (K)	1,5 m/s ²

4.3 Batteri

Batteriets driftsspenning	21,6 V
Omgivelsestemperatur under drift	-17 °C ... 60 °C
Lagringstemperatur	-20 °C ... 40 °C
Batteritemperatur ved ladestart	-10 °C ... 45 °C

5 Betjening

5.1 Klargjøring til arbeidet

ADVARSEL

Fare for personskader på grunn av utilsiktet start!

- ▶ Før batteriet settes i, må det kontrolleres at det tilhørende produktet er slått av.
- ▶ Fjern batteriet før du foretar maskininnstillinger eller skifter tilbehørsdeler.

Følg sikkerhetshenvisningene og advarslene i denne dokumentasjonen og på produktet.

5.1.1 Montere sidehåndtak

1. Vri på håndtaket for å løse holderen (klemmen) på sidehåndtaket.
2. Skyv holderen (klemmen) forfra over chucken til kilesporet som er beregnet til dette.
3. Plasser sidehåndtaket i ønsket stilling.
4. Vri på håndtaket for å stramme holderen (klemmen) på sidehåndtaket.



5.1.2 Sette inn batteri

1. Sett batteriet inn i holderen på maskinen til det klikker hørbart på plass.
2. Kontroller at batteriet sitter godt fast.

5.1.3 Ta ut batteriet

1. Trykk på låseknappene på batteriet.
2. Trekk batteriet ut bakover.

5.1.4 Sette i innsatsverktøy

1. Smør innstikkenden til innsatsverktøyet med litt fett.
 - ▶ Bruk bare originalfett fra Hilti. Feil fett kan forårsake skade på maskinen.
2. Sett innsatsverktøyet helt inn i chucken slik at det klikker på plass.
3. Trekk i verktøyet etter at du har satt det i, for å forsikre deg om at det er godt festet.
 - ▶ Produktet er klart til bruk.

5.1.5 Ta ut innsatsverktøyet

FORSIKTIG

Fare for personskade på grunn av innsatsverktøy! Innsatsverktøyet kan være varmt og ha skarpe kanter.

- ▶ Bruk vernehansker når du skifter innsatsverktøy.

- ▶ Trekk verktøylåsen tilbake til anslag og ta ut innsatsverktøyet.

5.1.6 Montere dybdeanlegg (ekstraustyr)

1. Vri på håndtaket for å løsne holderen (klemmen) på sidehåndtaket.
2. Skyv dybdeanlegget forfra inn i de to føringshullene som er beregnet for dette.
3. Vri på håndtaket for å stramme holderen (klemmen) på sidehåndtaket.

5.2 Arbeid

OBS

Fare for materiell skade på grunn av feilhåndtering!

- ▶ Ikke betjen bryteren for rotasjonsretning og/eller funksjonsvalg under drift.

Følg sikkerhetsanvisningene og advarslene i denne dokumentasjonen og på produktet.

5.2.1 Rotasjonsretning

- ▶ Still inn rotasjonsretningen.
 - ▶ Bryteren låses i denne posisjonen.

5.2.2 Boring uten slag

- ▶ Still inn funksjonsvelgeren på dette symbolet:

5.2.3 Boring med slag

- ▶ Still inn funksjonsvelgeren på dette symbolet:

6 Service og vedlikehold

6.1 Service og vedlikehold

ADVARSEL

Fare for personskader på grunn av isatt batteri !

- ▶ Ta alltid ut batteriet før stell og vedlikeholdsarbeid!

Pleie av produktet

- Fjern forsiktig gjenstridig smuss.
- Rengjør ventilasjonsåpningene, der slike finnes, forsiktig med en tørr og myk børste.



- Rengjør huset bare med en lett fuktet klut. Ikke bruk silikonholdige pleiemidler, ettersom dette kan angripe plastdelene.
- Bruk en ren og tørr klut for å rengjøre kontaktene på produktet.

Vedlikehold av li-ion-batterier

- Bruk aldri et batteri med tilstoppede ventilasjonsåpninger. Rengjør ventilasjonsåpningene forsiktig med en tørr og myk børste.
- Unngå at batteriet unødig utsettes for støv eller smuss. Utsett aldri batteriet for høy fuktighet (f.eks. ved å senke det ned i vann eller la det stå i regn).
Hvis et batteri blir gjennomvått, skal du behandle det som et skadd batteri. Isoler det i en ikke-brennbar beholder og kontakt **Hilti service**.
- Hold batteriet fritt for fremmed olje og fett. Ikke la unødig støv eller smuss samle seg på batteriet. Rengjør batteriet med en tørr og myk børste eller en ren og tørr klut. Ikke bruk silikonholdige pleiemidler, ettersom dette kan angripe plastdelene.
Ikke berør kontaktene på batteriet, og ikke fjern fett som er smurt på kontaktene fra fabrikk.
- Rengjør huset bare med en lett fuktet klut. Ikke bruk silikonholdige pleiemidler, ettersom dette kan angripe plastdelene.

Vedlikehold

- Kontroller alle synlige deler regelmessig mht. skade og alle betjeningslementer mht. feilfri funksjon.
- Ved skader og/eller funksjonsfeil må produktet ikke brukes. Få produktet omgående reparert av **Hilti service**.
- Monter alle beskyttelsesinnretninger etter pleie- og vedlikeholdsarbeid, og kontroller at de fungerer feilfritt.



Av hensyn til sikkerheten må du bare bruke originale reservedeler og forbruksmateriell. Reservedeler, forbruksmaterialer og tilbehør som er godkjent av **Hilti**, finner du hos **Hilti Store** eller på: www.hilti.group

6.2 Rengjøring av støvbeskyttelseskappen

- ▶ Rengjør støvbeskyttelseskappen på chucken med en ren, tørr klut.
- ▶ Tørk pakningen forsiktig ren og smør den inn med litt **Hilti-smørefett**.
- ▶ Støvbeskyttelseskappen må alltid byttes hvis pakningen er skadet.

7 Transport og lagring

7.1 Transport og lagring av batteriverktøy og batterier

Transport



Utsikket start under transport !

- ▶ Transporter alltid produktene dine uten batterier!
- ▶ Ta ut batteri(er).
- ▶ Batterier må aldri transporteres løst. Under transport må batteriene beskyttes mot kraftige støt og vibrasjoner og isoleres fra ledende materialer og andre batterier, slik at de ikke kan komme i berøring med andre batteripoler og dermed forårsake kortslutning. **Følg lokale transportforskrifter for batterier.**
- ▶ Batterier må ikke sendes i posten. Kontakt et transportfirma hvis du vil sende uskadde batterier.
- ▶ Kontroller produkt og batterier med henblikk på skader før hver bruk samt før og etter lengre transport.

Lagring



Utsikket skade på grunn av defekte batterier eller lekkasje fra batterier !

- ▶ Oppbevar alltid produktene dine uten batterier!
- ▶ Oppbevar produkt og batterier kjølig og tørt. Ta hensyn til temperaturrensene som er angitt under tekniske data.
- ▶ Ikke oppbevar batterier på laderen. Ta alltid batteriet ut av laderen etter ferdig lading.
- ▶ Batterier må aldri oppbevares i solen, på varmekilder eller bak glass.
- ▶ Oppbevar produktet og batterier utenfor barns og uvedkommendes rekkevidde.
- ▶ Kontroller produkt og batterier med henblikk på skader før hver bruk samt før og etter lengre tids lagring.



8 Feilsøking

8.1 Feilsøking

Ved feil som ikke står i denne tabellen eller som du selv ikke kan rette opp, må du kontakte **Hilti Service**.

8.2 Borhammeren er ikke operativ

Feil	Mulig årsak	Løsning
LED-ene vises ikke.	Batteriet er ikke satt helt i.	► La batteriet gå i lås med et dobbeltklikk.
	Utladet batteri.	► Skift batteri og lad tomt batteri.
1 LED blinker.	Utladet batteri.	► Skift batteri og lad tomt batteri.
	Batteriet er for varmt eller for kaldt.	► Bring batteriet til anbefalt driftstemperatur.
4 LED-er blinker.	Borhammer kortvarig overbelastet.	► Slipp kontrollbryteren og trykk den inn på nytt.

8.3 Borhammeren er operativ

Feil	Mulig årsak	Løsning
Slageffekt uteblir.	Borhammeren for kald.	► Sett borhammeren på underlaget og la den gå på tomgang. Gjenta hvis nødvendig til slagverket arbeider.
	Funksjonsvelger på "Boring uten slag" .	► Sett funksjonsvelgeren på "Hammerboring" T .
	Borhammer koblet i venstregang.	► Still inn høyregang med bryteren for høyre-/venstregang.
Kontrollbryteren kan ikke trykkes inn eller er blokkert.	Bryteren for høyre-/venstregang er i midtstilling.	► Trykk bryteren for høyre-/venstregang mot høyre eller venstre.
Maskinens spindel dreier ikke.	Den tillatte driftstemperaturen for elektronikken i borhammeren er overskredet.	► La borhammeren avkjøles.
	Utladet batteri.	► Skift batteri og lad tomt batteri.
Borhammeren slår seg av automatisk.	Overbelastningsvernet utløses.	► Slipp kontrollbryteren. La borhammeren avkjøles. Trykk ned kontrollbryteren igjen. Reduser maskinbelastningen.
Batteriet blir tomt raskere enn vanlig.	Svært lave omgivelsestemperaturer.	► Varm batteriet langsomt opp til romtemperatur.
Batteriet festes ikke med et hørbart dobbeltklikk.	Festetappene på batteriet er skitne.	► Rengjør festetappene og sett batteriet inn igjen.
Sterk varmeutvikling i borhammeren eller batteriet.	Elektrisk defekt	► Slå borhammeren av umiddelbart. Ta ut batteriet og undersøk det. La det avkjøles. Kontakt Hilti service .
	Borhammer overbelastet (bruksgrense overskredet).	► Velg en maskin som er tilpasset bruksområdet.
Verktøyet løsner ikke fra chucken.	Chucken er ikke trukket helt tilbake.	► Trekk verktøylåsen tilbake til anslag og ta ut verktøyet.
Verktøyet trenger ikke inn i materialet.	Borhammer koblet i venstregang.	► Still inn høyregang med bryteren for høyre-/venstregang.
	Funksjonsvelger på "Boring uten slag" .	► Sett funksjonsvelgeren på "Hammerboring" T .



9 Kassering

ADVARSEL

Fare for personskade ved ikke-forskriftsmessig kassering! Gasser eller væsker som lekker ut, utgjør en helsefare.

- ▶ Ikke send skadde batterier i posten eller på annen måte!
- ▶ Dekk til kontaktene med et ikke-ledende materiale for å unngå kortslutning.
- ▶ Kasser batterier slik at de er utilgjengelige for barn.
- ▶ Lever inn batteriet i nærmeste **Hilti Store**, eller kontakt et lokalt renovasjonsfirma.

Hilti produkter er i stor grad laget av gjenvinnbare materialer. Riktig materialsortering er en forutsetning for gjenvinning. I mange land tar **Hilti** imot ditt gamle apparat for gjenvinning. Spør **Hilti** kundeservice eller forhandleren.



- ▶ Kast aldri elektroverktøy, elektronisk utstyr eller batterier i husholdningsavfallet!

10 RoHS (direktiv for begrensning av bruk av farlige stoffer)

Under følgende lenke finner du tabellen over farlige stoffer: qr.hilti.com/r3159232.

Du finner en lenke til RoHS-tabellen helt til slutt i denne dokumentasjonen som QR-kode.

11 Produsentgaranti

- ▶ Når det gjelder spørsmål om garantibetingelser, ber vi deg kontakte din lokale **Hilti**-partner.

Alkuperäiset ohjeet

1 Dokumentaation tiedot

1.1 Tästä dokumentaatiosta

- Lue ehdottomasti tämä dokumentaatio ennen tuotteen käyttöönottoa. Se on turvallisen työn teon ja tuotteen ongelmattoman käsittelyn perusedellytys.
- Noudata tässä dokumentaatiossa ja tuotteessa olevia turvallisuus- ja varoitushuomautuksia.
- Säilytä käyttöohje aina tuotteen yhteydessä ja varmista, että käyttöohje on mukana, kun luovutat tuotteen toiselle henkilölle.

1.2 Merkkien selitykset

1.2.1 Varoitushuomautukset

Varoitushuomautukset varoittavat tuotteen käyttöön liittyvistä vaaroista. Seuraavia varoitustekstejä käytetään:

VAKAVA VAARA

VAKAVA VAARA !

- ▶ Varoittaa uhkaavasta vaaratilanteesta, josta voi seurauksena olla vakava loukkaantuminen tai jopa kuolema.

VAARA

VAARA !

- ▶ Varoittaa mahdollisesta vaarasta, josta voi seurauksena olla vakava loukkaantuminen tai kuolema.

VAROITUS

HUOMIO !

- ▶ Varoittaa mahdollisesta vaaratilanteesta, josta voi seurata loukkaantuminen tai aineellinen vahinko.



1.2.2 Symbolit dokumentaatioissa

Tässä dokumentaatioissa käytetään seuraavia symboleita:

	Lue käyttöohje ennen käyttämistä
	Toimintaohjeita ja muuta hyödyllistä tietoa
	Kierrätyskelpoisten materiaalien käsittely
	Älä hävitä sähkölaitteita ja akkuja tavallisen sekajätteen mukana

1.2.3 Symbolit kuvissa

Kuvissa käytetään seuraavia symboleita:

	Nämä numerot viittaavat vastaavaan kuvaan tämän käyttöohjeen alussa
	Numerointi kertoo työvaiheiden järjestyksen kuvissa ja saattaa poiketa numeroinnista tekstissä
	Kohtanumeroita käytetään kuvassa Yleiskuva , ja ne viittaavat kuvatekstien numerointiin kappaleessa Tuoteyhteenveto
	Tämän merkin tarkoitus on kiinnittää erityinen huomiosi tuotteen käyttöön ja käsittelyyn.

1.3 Tuotekohtaiset symbolit

1.3.1 Symbolit tuotteessa

Tuotteessa voidaan käyttää seuraavia symboleita:

	Poraus ilman iskua
	Poraaminen iskulla (iskuporaus)
	Suunnanvaihtokytkin vasemmalle/oikealle
	Suojausluokka II (kaksinkertainen eristys)
	Nimellisjoutokäyntikierrosluku
	Tasavirta
	Litiumioniakku
	Käytettävien Hilti -litiumioniakkujen tyyppisarja. Ota kappaleessa Tarkoituksenmukainen käyttö annetut tiedot huomioon.
	Älä koskaan käytä akkua lyöntityökaluna.
	Älä päästä akkua putoamaan. Älä käytä akkua, johon on kohdistunut isku tai joka on muutoin vaurioitunut.
	Tämä kone tukee iOS- ja Android-alustojen kanssa yhteensopivaa NFC-tekniologiaa.

1.4 Tuotetiedot

HILTI -tuotteet on tarkoitettu ammattikäyttöön, ja niitä saa käyttää, huoltaa tai korjata vain valtuutettu, koulutettu henkilö. Käyttäjän pitää olla hyvin perillä käyttöön liittyvistä vaaroista. Tuote ja sen varusteet saattavat aiheuttaa vaaratilanteita, jos kokemattomat henkilöt käyttävät tuotetta ohjeiden vastaisesti tai muutoin asiattomasti.

Tyypimerkinnän ja sarjanumeron löydät tyyppikilvestä.



- Kirjoita sarjanumero oheiseen taulukkoon. Tuotteen tiedot tarvitaan, jos esität kysymyksiä myynti- tai huoltoedustajallemme.

Tuotetiedot

Poravasara	TE 4-A22
Sukupolvi	02
Sarjanumero	

1.5 Vaatimustenmukaisuusvakuutus

Vakuutamme, että tässä kuvattu tuote täyttää voimassa olevien direktiivien ja standardien vaatimukset. Kuva vaatimustenmukaisuusvakuutuksesta on tämän dokumentaation lopussa.

Tekninen dokumentaatio löytyy tästä:

Hilti Entwicklungsgesellschaft mbH | Zulassung Geräte | Hiltistraße 6 | 86916 Kaufering, DE

2 Turvallisuus

2.1 Sähkötyökaluja koskevat yleiset turvallisuusohjeet

⚠ VAARA! Lue kaikki turvallisuus- ja käyttöohjeet. Turvallisuus- ja käyttöohjeiden noudattamatta jättäminen saattaa johtaa sähköiskuun, tulipaloon ja/tai vakavaan loukkaantumiseen. Säilytä kaikki turvallisuus- ja käyttöohjeet huolellisesti vastaisen varalle.

Työpaikan turvallisuus

- **Pidä työskentelyalue siistinä ja hyvin valaistuna.** Työpaikan epäjärjestys ja valaisemattomat työalueet voivat johtaa tapaturmiin.
- **Älä käytä sähkötyökalua räjähdysalttiissa ympäristössä, jossa on syttyvää nestettä, kaasua tai pölyä.** Sähkötyökalut synnyttävät kipinöitä, jotka saattavat sytyttää pölyn tai höyryä.
- **Pidä lapset ja sivulliset loitolla sähkötyökalua käyttäessäsi.** Voit menettää laitteen hallinnan huomiosi suuntautuessa muualle.

Sähköturvallisuus

- **Vältä koskettamasta maadotettuihin pintoihin kuten putkiin, pattereihin, liesiin ja jääkaappeihin.** Sähköiskun vaara kasvaa, jos kehosi maadottuu.
- **Älä aseta sähkötyökalua alttiiksi sateelle tai kosteudelle.** Veden tunkeutuminen sähkötyökalun sisään lisää sähköiskun vaaraa.

Henkilöturvallisuus

- **Ole valpas, kiinnitä huomiota työskentelyysi ja noudata tervettä järkeä sähkötyökalua käyttäessäsi.** Älä käytä sähkötyökalua, jos olet väsynyt tai huumeiden, alkoholin tai lääkkeiden vaikutuksen alaisena. Sähkötyökalua käytettäessä hetkellinenkin varomattomuus saattaa aiheuttaa vakavia vammoja.
- **Käytä henkilökohtaisia suojavarusteita ja aina suojalaseja.** Henkilökohtaiset suojavarusteet, kuten hengityssuojain, luistamattomat turvajalkineet, kypärä ja kuulosuojaimet, pienentävät oikein käytettyinä loukkaantumisriskiä sähkötyökalun käyttötilanteesta riippuen.
- **Varo tahatonta käynnistämistä. Varmista, että sähkötyökalu on kytketty pois päältä, ennen kuin liität siihen akun, otat sen käteesi tai kannat sitä.** Jos kannat sähkötyökalua sormi käyttökytkimellä tai liität pistokkeen pistorasiaan käyttökytkimen ollessa käyntiasennossa, altistat itsesi onnettomuuksille.
- **Poista kaikki säätötyökalut ja ruuvitaltat, ennen kuin käynnistät sähkötyökalun.** Työkalu tai avain, joka sijaitsee laitteen pyöriässä osassa, saattaa johtaa loukkaantumiseen.
- **Vältä vaikeita työskentelyasentoja. Varmista aina tukeva seisoma-asento ja tasapaino.** Siten voit paremmin hallita sähkötyökalua odottamattomissa tilanteissa.
- **Käytä työhäsi soveltuvia vaatteita. Älä käytä löysiä työvaatteita tai koruja. Pidä hiukset, vaatteet ja käsineet loitolla liikkuvista osista.** Väljät vaatteet, korut ja pitkät hiukset voivat takertua liikkuviin osiin.
- **Jos pölynpoisto- ja keräilylaitteita voidaan asentaa, sinun on tarkastettava, että ne on liitetty oikein ja että niitä käytetään oikealla tavalla.** Pölynpoistovarustuksen käyttö vähentää pölyn aiheuttamia vaaroja.

Sähkötyökalun käyttö ja käsittely

- **Älä ylikuormita laitetta. Käytä kyseiseen työhön tarkoitettua sähkötyökalua.** Sopivaa sähkötyökalua käyttäen työskentelet paremmin ja varmemmin tehoalueella, jolle sähkötyökalu on tarkoitettu.
- **Älä käytä sähkötyökalua, jonka käyttökytkin ei toimi.** Sähkötyökalu, jota ei enää voida käynnistää ja pysäyttää käyttökytkimellä, on vaarallinen ja se täytyy korjata.



- ▶ **Irrota akku, ennen kuin muutat laitteen asetuksia tai vaihdat lisävarusteosia, tai kun lopetat laitteen käyttämisen.** Tämä turvatoimenpide estää sähkötyökalun tahattoman käynnistysriskin.
- ▶ **Säilytä sähkötyökalut poissa lasten ulottuvilta, kun niitä ei käytetä. Älä anna toisten henkilöiden käyttää sähkötyökalua, elleivät he ole perehtyneet sen käyttöön ja lukeneet käyttöohjeita.** Sähkötyökalut ovat vaarallisia, jos niitä käyttävät kokemattomat henkilöt.
- ▶ **Hoida sähkötyökalujasi huolellisesti. Tarkasta, että liikkuvat osat toimivat moitteettomasti eivätkä ole puristuksissa, ja tarkasta myös, ettei sähkötyökalussa ole murtuneita tai vaurioituneita osia, jotka saattaisivat haitata sen toimintaa. Korjauta vaurioituneet osat ennen työkalun käyttämistä.** Usein loukkaantumisten ja tapaturmien syynä on sähkötyökalujen laiminlyöty huolto.
- ▶ **Pidä terät terävinä ja puhtaina.** Huolella hoidetut terät, joiden leikkausreunat ovat teräviä, eivät jumita herkästi, ja niillä työnteko on kevyempää.
- ▶ **Käytä sähkötyökalua, lisävarusteita ja tarvikkeita, teriä jne. niiden käyttöohjeiden mukaisesti. Ota tällöin työolosuhteet ja suoritettava työtehtävä huomioon.** Sähkötyökalun käyttö muuhun kuin sille tarkoitettuun käyttöön saattaa johtaa vaarallisiin tilanteisiin.

Akkukäyttöisen sähkötyökalun käyttö ja käsittely

- ▶ **Lataa akku vain valmistajan suositamalla laturilla.** Jos laturi on tarkoitettu vain tietyn akkumallin lataamiseen, palovaara on olemassa, jos laturia käytetään muiden akkujen lataamiseen.
- ▶ **Käytä ainoastaan juuri kyseiseen sähkötyökaluun tarkoitettua akkua.** Jonkun muun akun käyttö saattaa johtaa loukkaantumiseen ja tulipaloon.
- ▶ **Pidä irrallinen akku loitolla metalliesineistä, kuten paperinliittimistä, kolikoista, avaimista, nauhoista, ruuveista tai muista pienistä metalliesineistä, jotka voivat oikosulkea akun liittimet.** Akun liittimien välinen oikosulku saattaa aiheuttaa palovammoja tai johtaa tulipaloon.
- ▶ **Väärästä käytöstä johtuen saattaa akusta vuotaa nestettä, jota ei saa koskettaa. Vältä kosketusta sen kanssa.** Akusta vuotava neste saattaa aiheuttaa ärsytystä ja palovammoja. Huuhtele kosketuskohta vedellä. Jos nestettä pääsee silmiin, tarvitaan lisäksi lääkärin apua.

Huolto

- ▶ **Anna koulutettujen ammattihenkilöiden korjata sähkötyökalusi ja hyväksy korjauksiin vain alkupe räisiä varaosia.** Siten varmistat, että sähkötyökalu säilyy turvallisena.

2.2 Lisää poravararoiden turvallisuusohjeita

Henkilöturvallisuus

- ▶ Käytä vain tuotetta ja lisävarusteita, jotka ovat teknisesti moitteettomassa kunnossa.
- ▶ Älä koskaan tee tuotteeseen tai lisävarusteisiin minkäänlaisia muutoksia.
- ▶ Käytä tuotteen mukana toimitettuja lisäkäsikahvoja. Hallinnan menettäminen saattaa aiheuttaa loukkaantumisia.
- ▶ Kun teet reikiä, varmista työstettävän kohdan taustapuoli. Putoamaan tai sinkoutumaan pääsevät palaset voivat aiheuttaa muille vammoja.
- ▶ Pidä tuotteesta aina kiinni käsikahvoista molemmin. Pidä käsikahvat kuivina ja puhtaina.
- ▶ Pidä tuotteesta kiinni vain sen eristetyistä kahvapinnoista, jos teet työtä, jossa työkaluterä saattaa osua rakenteen sisällä olevaan virtajohtoon. Jos terä osuu virtajohtoon, tuotteen metalliosiin saattaa johtua virta, jolloin saatat saada sähköiskun.
- ▶ Varo, ettet koske pyöriviin osiin - loukkaantumisvaara!
- ▶ Tuotetta käyttäessäsi käytä silmäsuojaimia, suojakypärää, kuulosuojaimia ja soveltuvaa hengityssuojainta.
- ▶ Käytä työkaluterän vaihdossa suojakäsineitä. Työkaluterän koskettaminen saattaa aiheuttaa haavoja ja palovammoja.
- ▶ Käytä suojalaseja. Sirpaleet saattavat aiheuttaa vammoja ja vahingoittaa silmiä.
- ▶ Hiottaessa, kiillotettaessa, leikattaessa ja porattaessa syntyvä pöly saattaa sisältää vaarallisia kemikaaleja. Niistä esimerkkejä ovat: lyijy tai lyijypitoiset maalit; tiili, betoni ja muut muuraustuotteet, luonnonkivi ja muut siikaatteja sisältävät tuotteet; tietyt puulajit kuten tammi, pyökki ja kemiallisesti käsitellyt puut; asbesti tai asbestia sisältävät materiaalit. Määritä työstettävien materiaalien vaaraluokituksen perusteella käyttäjän ja lähellä olevien henkilöiden altistumisvaara. Ryhdy tarvittaviin toimenpiteisiin altistumisen pitämiseksi turvallisella tasolla, esimerkiksi käytettävä pölynkeräysjärjestelmä tai soveltuvaa hengityssuojainta. Altistumisen määrää pienentäviä yleisluonteisia toimenpiteitä ovat:
 - ▶ työn tekeminen hyvin tuulettuvassa tilassa,
 - ▶ pitkään kestävä pölyaltistuksen välttäminen,
 - ▶ pölyn ohjaaminen pois kasvoilta ja keholta,
 - ▶ suojavaatetuksen käyttö ja kehon altistuneiden kohtien pesu vedellä ja saippualla.



- Pidä työssäsi usein taukoja, joiden aikana tee sormien verenkiertoa parantavia sormivoimisteluliikkeitä. Pitempään jatkuva työnteko saattaa tänä vuoksi aiheuttaa verenkiertohäiriöitä tai sormien, käsien ja ranteiden hermokipuja.

Sähköturvallisuus

- Tarkasta ennen työn aloittamista, onko työskentelyalueella rakenteiden sisälle asennettuja sähköjohtoja tai kaasu- ja vesiputkia. Tuotteen ulkopinnan metalliosista saatat saada sähköiskun tai aiheuttaa räjähdyksen, jos vahingossa osut sähköjohtoon, kaasuputkeen tai vesiputkeen.

Sähkötökalujen käyttö ja hoito

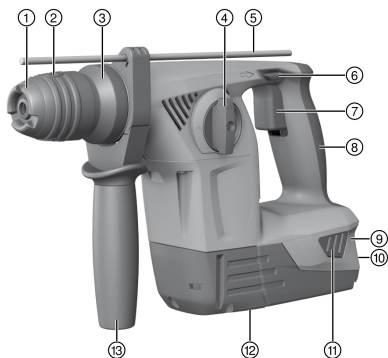
- Kytke tuote heti pois päältä, jos työkaluterä jumittuu. Tuote saattaa pyrkiä liikkumaan sivusuunnassa.
- Odota, että tuote on täysin pysähtynyt, ennen kuin lasket sen kädestäsi.

2.3 Akkujen käyttö ja hoito

- Ota litiumioniakkujen kuljettamisesta, varastoinnista ja käyttämisestä annetut erityisohjeet huomioon.
- Suojaa akut korkeilta lämpötiloilta, suoralta auringonpaisteelta ja avotulelta.
- Akkuja ei saa avata, puristaa, kuumentaa lämpötilaan yli 80 °C (176 °F) tai polttaa.
- Älä käytä tai lataa akkua, joka on saanut iskun, joka on pudonnut yli metrin korkeudelta tai joka on muulla tavoin vaurioitunut. Tällaisessa tapauksessa ota aina yhteys **Hilti -huoltoon**.
- Jos akku on liian kuuma koskea, se saattaa olla vaurioitunut. Laita akku palovaarattomaan paikkaan ja riittävän etäälle syttyivistä materiaaleista. Anna akun jäähtyä. Jos akku vielä tunnin kuluttuakin on liian kuuma koskea, akku on vaurioitunut. Ota yhteys **Hilti-huoltoon**.

3 Kuvaus

3.1 Koneen osat, käyttö- ja näyttöelementit 1



- ① Pölysuojus
- ② Istukka
- ③ Työkaluterän lukituksen vapautus
- ④ Toimintatavan valintakytkin
- ⑤ Syvyysrajoitin
- ⑥ Suunnannvaihtokytkin jossa päälle kytkemisen salpa
- ⑦ Käyttökytkin
- ⑧ Käsikahva
- ⑨ Akku
- ⑩ Lataustila- ja häiriönäyttö (litiumioniakku)
- ⑪ Akun lukituksen vapautuspainikkeet
- ⑫ Liitäntä pölynpoistovarustukselle TE DRS-4-A(01)
- ⑬ Sivukahva

3.2 Tarkoituksenmukainen käyttö

Kuvattu tuote on akkukäyttöinen poravasara. Se on tarkoitettu poraamiseen teräkseen, puuhun sekä tiileen ja muuraukseen, poraamiseen iskulla betoniin, tiileen ja muuraukseen sekä ruuvien kiertämiseen.



- Käytä tämän tuotteen yhteydessä vain tyyppisarjan B 22 **Hilti**-litiumioniakkuja.
- Käytä näiden akkujen lataamiseen vain lataureita, jotka **Hilti** on hyväksynyt. Lisätietoja saat **Hilti Store** -liikkeestä ja osoitteesta: **www.hilti.group**

3.3 Li-ioniakun lataustilan näyttö

Litiumioniakkua käytettäessä akun lataustila näytetään, kun jotakin akun lukituksen vapautuspainikkeista painetaan kevyesti.

Tila	Merkitys
4 LED-merkkivaloa palaa.	Lataustila: 75 % ... 100 %
3 LED-merkkivaloa palaa.	Lataustila: 50 % ... 75 %
2 LED-merkkivaloa palaa.	Lataustila: 25 % ... 50 %
1 LED-merkkivalo palaa.	Lataustila: 10 % ... 25 %
1 LED-merkkivalo vilkkuu.	Lataustila: < 10 %

Lataustilan tarkastaminen koneen käytön aikana tai välittömästi käyttämisen jälkeen ei ole mahdollista. Jos akun lataustilan LED-merkkivalot vilkkuvat, ota ohjeet kappaleessa Vianmääritys huomioon.

3.4 Toimituksen sisältö

Poravasara, sivukahva, syvyyssrajoitin, käyttöohje.

Pölynpoistovarustus TE DRS-4-A (01) on lisävaruste töiden pölyttömään tekemiseen.

Muita tälle tuotteelle hyväksytyjä järjestelmätuotteita löydät **Hilti Store** -liikkeestä tai nettiosoitteesta: **www.hilti.group**

4 Tekniset tiedot

4.1 Poravasara

	TE 4-A22
Paino EPTA Procedure 01 mukaan sis. akku B228.0	3,9 kg
Yhden iskun energia EPTA 05/2009 mukaan	2 J
Poraaminen betoniin / tiileen (poraaminen iskulla)	4 mm ... 28 mm
Poraaminen puuhun (puuporanterät)	3 mm ... 20 mm
Metalliin porattavan reiän halkaisija	3 mm ... 10 mm

4.2 Melutiedot ja värinäarvot

Tässä käyttöohjeessa annetut äänenpaine- ja värinäarvot on mitattu standardoitujen mittausmenetelmien mukaisesti, ja näitä arvoja voidaan käyttää sähkötyökalujen vertailussa. Ne soveltuvat myös altistumisten tilapäiseen arviointiin. Annetut arvot koskevat sähkötyökalun pääasiallisia käyttötarkoituksia. Jos sähkötyökalua kuitenkin käytetään muihin tarkoituksiin, poikkeavia työkaluja tai teriä käyttäen tai puutteellisesti huollettuna, arvot voivat poiketa tässä ilmoitetuista. Tämä saattaa merkittävästi lisätä altistumista koko työskentelyajan aikana. Altistumisia tarkasti arvioitaessa on otettava huomioon myös ne ajat, jolloin kone on kytketty pois päältä tai jolloin kone on päällä, mutta sillä ei tehdä varsinaista työtä. Tämä saattaa merkittävästi vähentää altistumista koko työskentelyajan aikana. Käyttäjän suojaamiseksi melun ja/tai värinän vaikutukselta ryhdy tarpeellisiin turvatoimenpiteisiin kuten: Sähkötyökalun ja siihen kiinnitettävien työkalujen huolto, käsien lämpiminä pitäminen, työtehtävien organisointi.

Standardin EN 60745 mukaan määritetyt melupäästöarvot

Melutehotaso (L_{WA})	99 dB(A)
Äänitehotason epävarmuus (K_{WA})	3 dB(A)
Melupäästön äänenpainetaso (L_{pA})	88 dB(A)
Äänenpainetaso epävarmuus (K_{pA})	3 dB(A)

Standardin EN 60745 mukaisesti määritetyt värinän kokonaisarvot

Iskuporaaminen betoniin ($a_{n, HD}$)	11 m/s ²
Epävarmuus (K)	1,5 m/s ²



4.3 Akku

Akkutoimintajännite	21,6 V
Ympäristön lämpötila käytettäessä	-17 °C ... 60 °C
Varastointilämpötila	-20 °C ... 40 °C
Akun lämpötila lataamisen alkaessa	-10 °C ... 45 °C

5 Käyttö

5.1 Työkohteen valmistelu



VAARA

Loukkaantumiswaara vahingossa käynnistymisen seurauksena!

- ▶ Varmista ennen akun kiinnittämistä, että tuote on kytketty pois päältä.
- ▶ Irrota akku, ennen kuin muutat koneen säätöjä tai vaihdat lisävarusteosia.

Noudata tässä dokumentaatiossa ja tuotteessa olevia turvallisuus- ja varoitushuomautuksia.

5.1.1 Sivukahvan kiinnitys 2

1. Kierrä kahvaa sivukahvan kiinnittimen (kiinnityspanta) avaamiseksi.
2. Työnnä kiinnitin (kiinnityspanta) edestäpäin istukan päälle sille tarkoitettuun uraan saakka.
3. Aseta sivukahva haluamaasi asentoon.
4. Kierrä kahvaa sivukahvan kiinnittimen (kiinnityspanta) kiinni kiristämiseksi.

5.1.2 Akun kiinnitys 3

1. Aseta akku koneikiinnikkeeseen siten, että se kuultavasti lukittuu.
2. Tarkasta, että akku on kunnolla kiinni.

5.1.3 Akun irrotus 4

1. Paina akun lukituksen vapautuspainikkeita.
2. Vedä akku taaksepäin irti.

5.1.4 Työkaluterän kiinnitys 5

1. Rasvaa työkaluterän istukkapää kevyesti.
 - ▶ Käytä vain alkuperäistä Hilti-rasvaa. Vääränlainen rasva voi vaurioittaa konetta.
2. Laita työkalu istukkaan vasteeseen saakka ja varmista, että se lukittuu paikalleen.
3. Tarkasta työkaluterän kunnollinen lukittuminen vetämällä työkaluterästä.
 - ▶ Tuote on toimintavalmis.

5.1.5 Työkaluterän irrotus 6



VAROITUS

Työkaluterän aiheuttama loukkaantumiswaara! Työkaluterä voi olla kuuma tai teräväreunainen.

- ▶ Käytä suojakäsineitä, kun vaihdat työkaluterää.

- ▶ Vedä työkaluterän lukitsin taaksepäin vasteeseen saakka ja irrota työkaluterä.

5.1.6 Syvyysrajoittimen (lisävaruste) kiinnitys 7

1. Kierrä kahvaa sivukahvan kiinnittimen (kiinnityspanta) avaamiseksi.
2. Työnnä syvyysrajoitin edestäpäin sille tarkoitettuihin 2 ohjainreikään.
3. Kierrä kahvaa sivukahvan kiinnittimen (kiinnityspanta) kiinni kiristämiseksi.

5.2 Työskentely



HUOMIO

Vaurioitumisvaara väärän käsittelyn seurauksena!

- ▶ Älä käytä suunnanvaihdon ja/tai toimintatavan valinnan kytkimiä koneen käytön aikana.




Nuodata tässä dokumentaatioissa ja tuotteessa olevia turvallisuus- ja varoitusuhomautuksia.


5.2.1 Pyörimissuunta

- ▶ Valitse pyörimissuunta.
 - ▶ Kytkin lukittuu tähän asentoon.

5.2.2 Poraus ilman iskua

- ▶ Aseta toimintatapavalitsin tämän symbolin kohdalle: .

5.2.3 Poraaminen iskulla

- ▶ Aseta toimintatapavalitsin tämän symbolin kohdalle: .

6 Huolto ja kunnossapito

6.1 Huolto, hoito ja kunnossapito



VAARA

Loukkaantumisvaara jos akku paikallaan !

- ▶ Irrota akku aina ennen hoito- ja kunnostustöitä!

Tuotteen hoito

- Puhdista pinttynyt lika varovasti.
- Jos tuotteessa on jäähdytysilmaraat, puhdista ne varovasti kuivalla ja pehmeällä harjalla.
- Puhdista kotelon pinnat vain kevyesti kostutetulla kankaalla. Älä käytä silikonia sisältäviä hoitoaineita, sillä ne saattavat vaurioittaa muoviosia.
- Käytä tuotteen liittimien puhdistamiseen vain puhdasta ja kuivaa kangaspalaa.

Litiumioniakkujen hoito

- Älä koskaan käytä akkua, jos sen jäähdytysilmaraat ovat tukkeutuneet. Puhdista jäähdytysilmaraat varovasti kuivalla, pehmeällä harjalla.
- Vältä altistamista akkua tarpeettomasti pölylle tai lialle. Älä koskaan altista akkua suurelle kosteudelle (esimerkiksi upota veteen tai jätä sateeseen).
Jos akku on pahoin kastunut, käsittele sitä kuin vaurioitunutta akkua. Eristä akku palamattomasta materiaalista valmistettuun astiaan ja ota yhteys **Hilti**-huoltoon.
- Pidä akku öljyttömänä ja rasvattomana. Älä anna pölyn ja lian kertyä akun pintaan. Puhdista akku kuivalla, pehmeällä harjalla tai puhtaalla, kuivalla kankaalla. Älä käytä silikonia sisältäviä hoitoaineita, sillä ne saattavat vaurioittaa muoviosia.
Älä kosketa akun liittimiä äläkä poista akun liittimiin tehtaalla laitettua rasvaa.
- Puhdista kotelon pinnat vain kevyesti kostutetulla kankaalla. Älä käytä silikonia sisältäviä hoitoaineita, sillä ne saattavat vaurioittaa muoviosia.

Kunnossapito

- Tarkasta säännöllisin välein kaikkien näkyvien osien mahdolliset vauriot ja käyttöelementtien moitteeton toiminta.
- Jos havaitsit vaurioita ja/tai toimintahäiriöitä, älä käytä tuotetta. Korjauta tuote viipymättä **Hilti**-huollossa.
- Hoito- ja kunnostustöiden jälkeen kiinnitä kaikki suojalaitteet takaisin ja tarkasta niiden moitteeton toiminta.



Käyttöturvallisuuden varmistamiseksi käytä vain alkuperäisiä varaosia ja käyttömateriaaleja. **Hiltin** tälle tuotteelle hyväksymiä varaosia, kulutusmateriaaleja ja lisävarusteita löydät **Hilti Store** -liikkeestä tai osoitteesta: www.hilti.group

6.2 Pölysuojuksen puhdistus

- ▶ Puhdista istukan pölysuojus säännöllisin välein puhtaalla, kuivalla kankaalla.
- ▶ Pyyhi tiivistehuuli varovasti puhtaaksi ja rasvaa se kevyesti **Hilti**-rasvalla.
- ▶ Pölysuojus on ehdottomasti vaihdettava, jos sen tiivistehuuli on vaurioitunut.



7 Kuljetus ja varastointi

7.1 Akkukäyttöisten työkalujen ja akkujen kuljetus ja varastointi

Kuljettaminen

VAROITUS

Käynnistyminen vahingossa kuljetuksen aikana !

- ▶ Kuljeta tuotteesi aina akku irrotettuna!
- ▶ Irrota akku/akut.
- ▶ Älä koskaan kuljeta akkuja irrallaan muiden tavaroiden joukossa. Akut on suojattava kuljetuksen ajaksi kovilta iskulta ja tärinältä, ja ne on eristettävä kaikenlaisista sähköä johtavista materiaaleista ja muista akuista, jotta niiden navat eivät pääse kosketuksiin muiden akkujen napojen kanssa. Seurauksena saattaisi olla oikosulku. **Noudata maakohtaisia akkujen kuljetusmääräyksiä.**
- ▶ Akkuja ei saa koskaan lähettää postitse. Käännä kuljetusyrityksen puoleen, kun haluat lähettää vauriottomia akkuja.
- ▶ Tarkasta tuotteen ja akun mahdolliset vauriot aina ennen käyttöä sekä ennen pitkää kuljetusta ja sen jälkeen.

Varastointi

VAARA

Viallinen tai vuotava akku voi aiheuttaa vaurioita !

- ▶ Varastoi tuotteesi aina akku irrotettuna!
- ▶ Varastoi tuote ja akut viileässä ja kuivassa paikassa. Ota teknisissä tiedoissa annetut lämpötilarajat huomioon.
- ▶ Akkuja ei saa säilyttää laturissa. Irrota akku laturista aina latauksen päätyttyä.
- ▶ Älä koskaan varastoi akkuja auringonpaisteessa, lämmönlähteen päällä tai ikkunan vieressä.
- ▶ Varastoi tuote ja akut lasten ja asiattomien henkilöiden ulottumattomissa.
- ▶ Tarkasta tuotteen ja akun mahdolliset vauriot aina ennen käyttöä sekä ennen pitkää varastointia ja sen jälkeen.

8 Vianmääritys

8.1 Apua häiriötilanteisiin

Häiriöissä, joita ei ole kuvattu tässä taulukossa tai joita et itse pysty poistamaan, ota yhteys **Hilti**-huoltoon.

8.2 Poravasara ei ole toimintakykyinen

Häiriö	Mahdollinen syy	Ratkaisu
LED-merkkivalot eivät näytä mitään.	Akku ei kunnolla kiinni.	▶ Kiinnitä akku siten, että se lukittuu paikalleen kuultavasti kaksi kertaa naksauten.
	Akku tyhjentynyt.	▶ Vaihda akku ja lataa tyhjentynyt akku.
1 LED merkkivalo vilkkuu.	Akku tyhjentynyt.	▶ Vaihda akku ja lataa tyhjentynyt akku.
	Akku liian kuuma tai liian kylmä.	▶ Anna akun jäähtyä tai lämmitä suositeltuun käyttölämpötilaan.
4 LED-merkkivaloa vilkkuu.	Poravasara hetkellisesti ylikuormittunut.	▶ Vapauta käyttökytkin ja paina sitä uudelleen.

8.3 Poravasara on toimintakykyinen

Häiriö	Mahdollinen syy	Ratkaisu
Ei iskua.	Poravasara liian kylmä.	▶ Aseta poravasara pintaa vasten ja anna käydä joutokäyntiä. Tarvittaessa toista tämä, kunnes iskumeکانismi toimii.



Häiriö	Mahdollinen syy	Ratkaisu
Ei iskua.	Toimintatapavalitsin ilman iskua poraamisen asennossa	► Aseta toimintatapavalitsin iskulla poraamisen asentoon
	Poravasara kytketty pyörimään vasemmalle.	► Kytke suunnanvaihtokytkimellä pyörimissuunta oikealle.
Käyttökytkintä ei saa painettua tai se on lukittunut.	Suunnanvaihtokytkin keskiasennossa.	► Paina suunnanvaihtokytkin vasemmalle tai oikealle.
Kara ei pyöri.	Poravasaran elektroniikan sallittu käyttölämpötila ylittynyt.	► Anna poravasaran jäähtyä.
	Akku tyhjentynyt.	► Vaihda akku ja lataa tyhjentynyt akku.
Poravasara kytkeytyy automaattisesti pois päältä.	Ylikuormitussuoja laukeaa.	► Vapauta käyttökytkin. Anna poravasaran jäähtyä. Paina käyttökytkintä uudelleen. Kevvennä koneen kuormittamista.
Akku tyhjenee tavallista nopeammin.	Erittäin alhainen ympäristön lämpötila.	► Anna akun hitaasti lämmitä huoneenlämpötilaan.
Akku ei lukitu paikalleen selvästi kaksi kertaa naksauttaen.	Akun salpanokat likaantuneet.	► Puhdista salpanokat ja kiinnitä akku uudelleen paikalleen.
Poravasara tai akku kuumentuu voimakkaasti.	Sähköinen vika	► Kytke poravasara heti pois päältä. Irrota akku ja tarkkaile sitä. Anna sen jäähtyä. Ota yhteys Hilti -huoltoon.
	Poravasara ylikuormittunut (käyttöraja ylittynyt).	► Valitse työtehtävään soveltuva kone.
Työkaluterää ei saa vapautettua lukituksesta.	Istukkaa ei ole vedetty kunnolla taakse.	► Vedä työkaluterän lukitsin taaksepäin vasteeseen saakka ja irrota työkaluterä.
Työkaluterä ei poraa.	Poravasara kytketty pyörimään vasemmalle.	► Kytke suunnanvaihtokytkimellä pyörimissuunta oikealle.
	Toimintatapavalitsin ilman iskua poraamisen asennossa	► Aseta toimintatapavalitsin iskulla poraamisen asentoon

9 Hävittäminen

VAARA

Määräystenvastaisten hävittäminen aiheuttaa loukkaantumisvaaran! Ulos vuotavat kaasut tai nesteet vaarantavat terveyden.

- Älä lähetä vaurioituneita akkuja!
- Peitä liitännät sähköä johtamattomalla materiaalilla oikosulkujen välttämiseksi.
- Hävitä akut siten, etteivät ne voi joutua lasten käsiin.
- Hävitä akku viemällä se **Hilti Store** -liikkeeseen tai käänny vastuullisen jätteenkäsittely-yrityksen puoleen.

Hilti-tuotteet on pääosin valmistettu kierrätyskelpoisista materiaaleista. Kierrätyksen edellytys on materiaalien asianmukainen lajittelu. Useissa maissa **Hilti** ottaa vanhat koneet ja laitteet vastaan kierrästyttä ja hävitystä varten. Lisätietoja saat **Hilti**-huollosta tai -edustajalta.



- Älä hävitä sähkötyökaluja, elektronisua laitteita ja akkuja tavallisen sekajätteen mukana!

10 RoHS (vaarallisten aineiden käytön rajoittamisen direktiivi)

Vaarallisten aineiden taulukon löydät seuraavasta linkistä: qr.hilti.com/r3159232.
Linkki RoHS-taulukkoon on tämän dokumentaation lopussa QR-koodina.



11 Valmistaja myöntämä takuu

- ▶ Jos sinulla on takuuehtoihin liittyviä kysymyksiä, ota yhteys paikalliseen **Hilti**-edustajaan.

Algupärane kasutusjuhend

1 Andmed dokumentatsiooni kohta

1.1 Kasutusjuhend

- Enne seadme kasutuselevõttu lugege see kasutusjuhend läbi. See on ohutu kasutamise ja tõrgeteta töö eeldus.
- Järgige kasutusjuhendis esitatud ja tootele märgitud ohutusnõudeid ja hoiatusi.
- Hoidke kasutusjuhend alati seadme juures ja toote edasiandmisel teistele isikutele andke üle ka kasutusjuhend.

1.2 Märkide selgitus

1.2.1 Hoiatused

Hoiatused annavad märku toote kasutamisel tekkivatest ohtudest. Kasutatakse alljärgnevat märksõnu:



OHT

OHT !

- ▶ Võimalikud ohtlikud olukorrad, mis võivad põhjustada kasutaja raskeid kehavigastusi või hukkumist.



HOIATUS

HOIATUS !

- ▶ Võimalik ohtlik olukord, mis võib põhjustada kasutaja raskeid kehavigastusi või hukkumist.



ETTEVAATUST

ETTEVAATUST !

- ▶ Võimalikud ohtlikud olukorrad, mis võivad põhjustada kehavigastusi või varalist kahju.

1.2.2 Kasutusjuhendis kasutatud sümbolid

Selles dokumendis kasutatakse järgmisi sümboleid.



Lugege enne kasutamist läbi kasutusjuhend!



Soovitused seadme kasutamiseks ja muu kasulik teave



Taaskasutatavate materjalide käsitlemine



Elektriseadmeid ja akusid ei tohi visata olmejäätmete hulka.

1.2.3 Joonistel kasutatud sümbolid

Joonistel kasutatakse järgmisi sümboleid.



Numbrid viitavad vastavatele joonistele kasutusjuhendi alguses



Numeratsioon kajastab tööetappide järjekorda pildi kujul ja võib tekstis kirjeldatud tööetappidest erineda



Positsiooninumbreid **kasutatakse ülevaatejoonisel** ja need viitavad selgituste numbritele **toote ülevaates**



See märk näitab, et toote käsitlemisel tuleb olla eriti tähelepanelik.



1.3 Tootepõhised sümbolid

1.3.1 Tootel olevad sümbolid

Tootel võib kasutada alljärgnevat sümboleid:

	Löögita puurimine
	Löökpuurimine
	Parem/vasak käik
	Kaitseklass II (topeltisolatsioon)
n_0	Nimipöörlemiskiirus tühikäigul
	Alalisvool
Li-Ion	Liitumioonaku
	Kasutatud Hilti Li-Ion-aku seeria. Pidage kinni peatükis Sihipärane kasutamine esitatud juhiste.
	Ärge kasutage akut kunagi löögiriistana.
	Ärge laske akul kunagi maha kukkuda. Ärge kasutage akut, mis on saanud löögi või on muul moel kahjustatud.
	Seade toetab NFC-tehnoloogiat, mis on ühildatav iOS- ja Android-platvormidega.

1.4 Tooteinfo

HILTI tooted on ette nähtud professionaalsele kasutajale ja neid tohivad käsitseda, hooldada ja korras hoida ainult volitatud ja asjaomase väljaõppega isikud. Nimetatud personal peab olema teadlik kõikidest kaasnevatest ohtudest. Seade ja sellega ühendatavad abivahendid võivad osutada ohtlikuks, kui neid ei kasutata nõuetekohaselt või kui nendega töötab vastava väljaõppeta isik.

Tüübitähis ja seerianumber on tüübisildil.

- Kandke seerianumber järgmise tabelisse. Andmeid toote kohta vajate meie esindusele või hooldekeskusele päringute esitamisel.

Toote andmed

Puurvasar	TE 4-A22
Pölvkond	02
Seerianumber	

1.5 Vastavusdeklaratsioon

Kinnitame ainuvastutajana, et käesolevas kasutusjuhendis kirjeldatud seade vastab kehtivate direktiivide ja standardite nõuetele: Vastavustunnistuse koopia leiате käesoleva kasutusjuhendi lõpust.

Tehnilised dokumendid on saadaval:

Hilti Entwicklungsgesellschaft mbH | Zulassung Geräte | Hiltistraße 6 | 86916 Kaufering, DE

2 Ohutus

2.1 Üldised ohutusnõuded elektriliste tööriistade kasutamisel

⚠ HOIATUS! Lugege läbi kõik ohutusnõuded ja juhised. Järgnevate ohutusnõuete eiramise tagajärjel võib olla elektrilöökk, tulekahju ja/või rasked vigastused.

Hoidke kõik ohutusnõuded ja juhised edaspidiseks kasutamiseks alles.

Ohutus töökohal

- **Hoidke oma töökoht puhas ja valgustage seda korralikult.** Korrastamata ja valgustamata töökoht võib põhjustada õnnetusi.



- ▶ **Ärge kasutage elektritööriista plahvatusohtlikus keskkonnas, kus leidub tuleohtlikke vedelikke, gaase või tolmu.** Elektritööriistadest lööb sädemeid, mis võivad tolmu või aaurud süüdata.
- ▶ **Hoidke lapsed ja kõik teised töökohast eemal, kui kasutate elektritööriista!** Kui teie tähelepanu juhitakse kõrvale, võib seade teie kontrolli alt väljuda.

Elektriohtus

- ▶ **Vältige kehalist kontakti maandatud pindadega, nagu torud, radiaatorid, pliidid ja külmkapid.** Kui Teie keha on maandatud, on elektrilöögi oht suurem.
- ▶ **Kaitske elektritööriista vihma ja niiskuse eest.** Kui elektritööriista sisemusse satub vett, suurendab see elektrilöögiohtu.

Inimeste turvalisus

- ▶ **Olge tähelepanelik, jälgige oma tegevust ning toimige elektrilise tööriistaga töötades kaalutletult. Ärge töötage elektrilise tööriistaga, kui olete väsinud või alkoholi, narkootikumide või ravimite mõju all!** Hetkeline tähelepanematus elektrilise tööriista kasutamisel võib põhjustada raskeid kehavigastusi või varalist kahju.
- ▶ **Kandke isiklikke kaitsevahendeid ja alati kaitseprille.** Isiklike kaitsevahendite, nt tolmu maski, libisemiskindlate turvajalatsite, kaitsekiivri või kuulmiskaitsevahendite kandmine (sõltuvalt elektritööriista tüübist ja kasutusalasest) vähendab vigastusohtu.
- ▶ **Vältige elektrilise tööriista tahtmatut käivitamist. Veenduge, et elektriline tööriist on välja lülitatud, kui ühendate selle külge aku või kui seda tõstate või kannate.** Kui hoiate elektrilise tööriista kandmisel sõrme lülitil või ühendate vooluvõrku sisselülitatud tööriista, võib tagajärjeks olla tööõnnetus.
- ▶ **Eemaldage enne elektritööriista sisselülitamist selle küljest seade- ja mutrivõtmed.** Elektritööriista pöörleva osa küljes olev seade- või mutrivõti võib põhjustada vigastusi.
- ▶ **Vältige ebatavalist töösasendit! Võtke stabiilne töösasend ja säilitage alati tasakaal.** Nii saate seadet ootamatutes olukordades paremini kontrollida.
- ▶ **Kandke sobivat rõivastust. Ärge kandke laiu riideid ega ehteid! Hoidke juuksed, rõivad ja kindad seadme liikuvatest osadest eemal.** Lotendavad riided, ehted ja pikad juuksed võivad sattuda seadme liikuvate osade vahele.
- ▶ **Kui elektritööriista külge on võimalik paigaldada tolmueemaldus- ja kogumisseadiseid, veenduge, et need on tööriistaga ühendatud ja et neid kasutatakse nõuetekohaselt.** Tolmueemaldusseadise kasutamine võib vähendada tolmu taset ohte.

Elektrilise tööriista kasutamine ja käsitsemine

- ▶ **Ärge koormake seadet üle! Kasutage konkreetseks tööks sobivat elektrilist tööriista.** See töötab ettenähtud jõudluspiirides tõhusamalt ja ohutumalt.
- ▶ **Ärge kasutage elektrilist tööriista, mille lülitit on rikkis!** Elektriline tööriist, mida ei saa enam lülitist korralikult sisse ja välja lülitada, on ohtlik ning tuleb viia parandusse.
- ▶ **Eemaldage aku, enne kui asute tööriista seadistama, tarvikuid vahetama või tööriista hoiule panema.** See ettevaatusabinõu hoiab ära seadme tahtmatu käivitamise.
- ▶ **Kasutusvälisel ajal hoidke elektrilist tööriista lastele kättesaamatus kohas. Ärge lubage seadet kasutada isikutel, kes seda ei tunne või ei ole lugenud käesolevaid juhiseid.** Asjatundmatute isikute käes on elektrilised tööriistad ohtlikud.
- ▶ **Hooldage elektrilisi tööriistu hoolekalta. Kontrollige, kas seadme liikuvad detailid töötavad veatult ega kiilu kiini. Veenduge, et seadme detailid ei ole murdunud või kahjustatud määral, mis mõjutab seadme töökindlust. Laske kahjustatud osad enne seadme kasutamist parandada.** Ebapiisavalt hooldatud elektrilised tööriistad põhjustavad tööõnnetusi.
- ▶ **Hoidke löiketarvikud teravad ja puhtad.** Hästi hooldatud, teravate lõikeservadega löiketarvikud kiiluvad harvemini kinni ja neid on lihtsam juhtida.
- ▶ **Kasutage elektrilist tööriista, tarvikuid ja lisatarvikuid vastavalt nendele juhistele. Arvestage seejuures töötõingumuste ja tehtava töö iseloomuga.** Elektrilise tööriista kasutamine otstarbel, milleks see ei ole ette nähtud, võib põhjustada ohtlikke olukordi.

Akuga tööriista kasutamine ja käsitsemine

- ▶ **Laadige akusid ainult tootja soovitatud laadimisseadmega.** Kui teatud tüüpi aku laadimiseks ettenähtud laadimisseadet kasutatakse teist tüüpi akude laadimiseks, tekib tulekahjuoht.
- ▶ **Kasutage elektritööriistades ainult neile ettenähtud akusid.** Teist tüüpi akude kasutamine võib põhjustada vigastus- ja põlenguohtu.
- ▶ **Hoidke akud kasutusvälisel ajal eemal kirjaklambritest, müntidest, võtmetest, naeltest, kruvidest ja teistest väikestest metallasemetest, mis võivad aku kontaktid omavahel ühendada.** Aku kontaktide vahel tekkiv lühis võib põhjustada põletust või tulekahju.



- ▶ **Väärkasutuse korral võib akuvedelik akust välja voolata. Vältige sellega kokkupuudet.** Väljavoolav akuvedelik võib põhjustada nahaärritusi või põletusi. Juhusliku kokkupuute korral loputage kahjustatud kohta veega. Kui vedelik satub silma, pöörduge lisaks arsti poole.

Hoolitus

- ▶ **Laske elektrilist tööriista parandada ainult kvalifitseeritud spetsialistidel, kes kasutavad originaalvaruosi.** Nii on tagatud, et elektritööriista ohutus säilib.

2.2 Täiendavad ohutusnõuded puurvasara kasutamisel

Inimeste turvalisus

- ▶ Kasutage seadet ja lisatarvikuid ainult siis, kui nende tehniline seisukord on veatu.
- ▶ Ärge kunagi muutke ega modifitseerige seadet ega lisatarvikuid.
- ▶ Kasutage koos seadmega tarnekomplekti kuuluvaid lisakäepidemeid. Kontrolli kaotus seadme üle võib põhjustada vigastusi.
- ▶ Läbistavate tööde korral ümbritsege kaitsepiiridega töödeldava koha taha jääv ala. Väljamurtavad tükid võivad välja ja/või alla kukkuda ning teisi inimesi vigastada.
- ▶ Hoidke seadet ettenähtud käepidemetest alati mõlema käega. Hoidke käepidemed kuivad ja puhtad.
- ▶ Hoidke seadet üksnes isoleeritud käepidemest, kui teete töid, mille puhul võib tarvik tabada varjatud elektrijuhtmeid. Kokkupuude pingestatud elektrijuhtmega võib seada pinge alla ka seadme metalldetailid ja põhjustada elektrilöögi.
- ▶ Vältige kokkupuudet seadme pöörlevate osadega - vigastuste oht!
- ▶ Seadme kasutamise ajal kandke kaitseprille, kaitsekiivrit, kuulmiskaitsevahendeid ja sobivat hingamisteede kaitsemaski.
- ▶ Tarviku vahetamisel kandke kaitsekindaid. Tarviku puudutamine võib tekitada löikehaavu ja põletusi.
- ▶ Kasutage kaitseprille. Materjalist väljalendavad killud võivad tekitada keha- ja silmavigastusi.
- ▶ Lihvimisel, lõikamisel ja puurimisel tekivad tolmu osakesed võivad sisaldada ohtlikke kemikaale. Mõned näited: plii või pliipõhised värvid; tellis, betoon ja muu müüritis, looduskivi ja muud silikaati sisaldavad tooted; teatud tüüpi puit, näiteks tamm, pöök ja keemiliselt töödeldud puit; asbest või asbesti sisaldavad materjalid. Tehke kindlaks kasutaja ja teiste läheduses viibivate isikutega kokkupuute tase, arvestades töödeldavate materjalide ohuklassi. Võtke vajalikud meetmed, et hoida kokkupuude ohutul tasemel, nt kasutage tolmukogumissüsteemi või kandke sobivat hingamisteede kaitse maski. Kokkupuute vähendamise üldiste meetmete hulka kuuluvad:
 - ▶ töötamine hästi ventileeritud piirkonnast,
 - ▶ tolmuga pikaajalise kokkupuute vältimine,
 - ▶ tolmuaemaljuhtimine näost ja kehast,
 - ▶ kaitserõivaste kandmine ja nähtavate kohtade pesemine vee ja seebiga.
- ▶ Tehke tihti pause ja sirutage sõrmi, et parandada verevarustust. Pikemaajalisel töötamisel võib tugev vibratsioon tekitada häireid sõrmede, käte või randmeliigeste veresoonte ja närvisüsteemi toimimises.

Elektriõhutus

- ▶ Veenduge enne töö alustamist, et tööpiirkonnas ei ole varjatult paigaldatud elektrikaableid ega gaasi- ja veetorustikke. Pingestatud elektrijuhtme, gaasi- või veetoru vigastamise korral võivad seadme välised metallosad sattuda põhjustada plahvatuse või elektrilöögi.

Elektriliste tööriistade hoolikas käsitsemine ja kasutamine

- ▶ Lülitage seade kohe välja, kui tarvik kinni kiilub. Seade võib külgsuunas liikuda.
- ▶ Enne käestpanekut oodake, kuni seade on täielikult seiskunud.

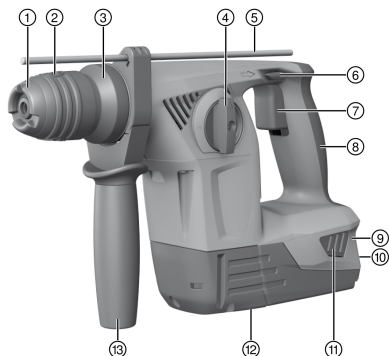
2.3 Akude hoolikas käsitsemine ja kasutamine

- ▶ Järgige liitiumioonakude veo, ladustamise ja käsitlemise suhtes kehtivaid erinõudeid.
- ▶ Kaitske akusid kõrgete temperatuuride, otsese päikesekiirguse ja tule eest.
- ▶ Akusid ei tohi lahti võtta, kokku muljuda, kuumutada üle 80°C (176°F) ega põletada.
- ▶ Ärge kasutage ega laadige akusid, mis on saanud löögi, kukunud kõrgemalt kui üks meeter või muul viisil vigastada saanud. Võtke sellisel juhul alati ühendust **Hilti hooldekeskusega**.
- ▶ Kui aku on nii kuum, et seda ei saa puudutada, võib aku olla defektne. Asetage aku nähtavas tulekindlasse kohta, mis on süttivatest materjalidest piisavaltkaugel. Laske akul jahtuda. Kui aku on ühe tunni pärast ikka veel liiga kuum, et seda puudutada saaks, siis on aku defektne. Võtke ühendust **Hilti hooldekeskusega**.



3 Kirjeldus

3.1 Seadme osad, juhtelemendid ja näidikud



- ① Tolmukaitsekate
- ② Padrun
- ③ Tarviku vabastamise nupp
- ④ Töörežiimilüliti
- ⑤ Sügavuspiirik
- ⑥ Sisselülitustõkiselega reverslüliti
- ⑦ Juhtlüliti
- ⑧ Käepide
- ⑨ Aku
- ⑩ Laetuse astme ja veanäidik (liitumioonaku)
- ⑪ Aku vabastusnupud
- ⑫ Liitmik tolmueemaldusmoodulile TE DRS-4-A(01)
- ⑬ Lisakäepide

3.2 Sihipärane kasutamine

Kirjeldatud toode on akutoitega puurvasar. See on ette nähtud terase, puidu ja müüritise puurimiseks ning betooni ja müüritise lõokpuurimiseks ning kruvide sisse- ja väljakeeramiseks.

- Kasutage selle toote jaoks ainult **Hilti B 22** tüüpi liitumioonakusid.
- Nende akude laadimiseks kasutage üksnes **Hilti** heakskiidetud akulaadijaid. Lisateavet leiate müügiesindusest **Hilti Store** või veebilehelt: www.hilti.group

3.3 Liitumioonaku näidik

Liitumioonaku kasutamisel saab kuvada aku laetuse astet, selleks tuleb vajutada ühele vabastusnupule.

Seisund	Tähendus
4 LED-tuld põlevad.	Laetuse tase: 75% kuni 100%
3 LED-tuld põlevad.	Laetuse tase: 50% kuni 75%
2 LED-tuld põlevad.	Laetuse tase: 25% kuni 50%
1 LED-tuli põleb.	Laetuse tase: 10% kuni 25%
1 LED-tuli vilgub.	Laetuse tase: < 10%

Töötamise ajal ja vahetult pärast töö lõppu ei ole võimalik aku laetuse astet teada saada. Kui aku laetuse astme LED-tuled vilguvad, järgige peatükis Veatsing toodud juhiseid.

3.4 Tarnekomplekt

Puurvasar, lisakäepide, sügavuspiirik, kasutusjuhend.

Tolmueemaldusmoodul TE DRS-4-A (01) on lisatarvik tolmuvaaks tööks.

Muud süsteemitooded leiate müügiesindusest **Hilti Store** või veebisaidilt: www.hilti.group



4 Tehnilised andmed

4.1 Puurvasar

	TE 4-A22
Kaal EPTA Procedure 01 järgi koos akuga B228.0	3,9 kg
Löögienergia EPTA Procedure 05/2009 kohaselt	2 J
Puuritava ava läbimõõt betoonis/müüritises (löökpuurimine)	4 mm ... 28 mm
Puuritava ava läbimõõt puidus (täispuur)	3 mm ... 20 mm
Puuritava ava läbimõõt metallis (täispuur)	3 mm ... 10 mm

4.2 Teave müra ja vibratsiooni kohta

Käesolevas kasutusjuhendis toodud helirõhu- ja vibratsioonitase on mõõdetud standarditud mõõtemeetodil ning asjaomaseid näitajaid saab kasutada elektriliste tööriistade võrdlemiseks. Need sobivad ka müra- ja vibratsioonitaseme esialgseks hindamiseks. Toodud näitajad iseloomustavad elektrilise tööriista põhilisi ettenähtud tõi. Kui aga elektrilist tööriista kasutatakse muul otstarbel, teiste tarvikutega või kui tööriista on ebapiisavalt hooldatud, võivad näitajad käesolevas juhendis toodud näitajatest kõrvale kalduda. See võib vibratsiooni- ja mürataset töötamise koguperioodil tunduvalt suurendada. Müra- ja vibratsioonitaseme täpseks hindamiseks tuleb arvesse võtta ka aega, mil tööriist oli välja lülitatud või küll sisse lülitatud, kuid tege-likult tööle rakendamata. See võib vibratsiooni- ja mürataset töötamise koguperioodil tunduvalt vähendada. Seadme kasutaja kaitsmiseks müra ja/või vibratsiooni eest rakendage täiendavaid kaitseabinõusid, näiteks: hooldage seadet ja tarvikuid korralikult, hoidke käed soojad, tagage sujuv töökorraldus.

Mürataset mõõdetud vastavalt standardile EN 60745

Helivõimsustase (L_{WA})	99 dB(A)
Helivõimsustaseme mõõtemääramatus (K_{WA})	3 dB(A)
Helirõhutase (L_{pA})	88 dB(A)
Helirõhutaseme mõõtemääramatus (K_{pA})	3 dB(A)

Vibratsioonitase mõõdetud vastavalt standardile EN 60745

Betooni löökpuurimine ($a_{h, HD}$)	11 m/s ²
Mõõtemääramatus (K)	1,5 m/s ²

4.3 Aku

Aku tööpinge	21,6 V
Ümbritseva keskkonna temperatuur töötamise ajal	-17 °C ... 60 °C
Hoiutemperatuur	-20 °C ... 40 °C
Aku temperatuur laadimise alguses	-10 °C ... 45 °C

5 Käsitsemine

5.1 Töö ettevalmistamine

HOIATUS

Vigastuste oht soovimatu käivitumise tõttu!

- ▶ Enne aku paigaldamist veenduge, et selle juurde kuuluv seade on välja lülitatud.
- ▶ Enne seadme seadistamist ja tarvikute vahetamist eemaldage seadme aku.

Järgige kasutusjuhendis esitatud ja tootele märgitud ohutusnõudeid ja hoiatusi.

5.1.1 Lisakäepideme paigaldamine

1. Keerake käepidet, et lisakäepideme kinnitusmehhanismi (kinnitusriba) vabastada.
2. Lükake kinnitusmehhanism (kinnitusriba) eest üle padruni selleks ettenähtud soonde.
3. Seadke lisakäepide soovitud asendisse.
4. Keerake käepidet, et lisakäepideme kinnitusmehhanismi (kinnitusriba) pingutada.



5.1.2 Aku paigaldamine 5

1. Asetage aku seadme hoidikusse, nii et fikseerub kuuldavalt kohale.
2. Kontrollige aku kindlat kinnitumist.

5.1.3 Aku eemaldamine 4

1. Vajutage aku vabastusnuppudele.
2. Tõmmake aku suunaga taha välja.

5.1.4 Tarviku paigaldamine 5

1. Määrige tarviku padrunisse kinnitavat osa veidi.
 - ▶ Kasutage üksnes Hilti originaalmääret. Vale määre võib seadet kahjustada.
2. Torgake tarvik lõpuni padrunisse ja laske kohale fikseeruda.
3. Pärast paigaldamist tõmmake tarvikust, et kontrollida, kas see on kindlalt kinni.
 - ▶ Seade on töövalmis.

5.1.5 Tarviku eemaldamine 6

ETTEVAATUST

Tarvikust tingitud kehavigastuste oht! Tarvik võib olla kuum või teravate servadega.

- ▶ Tarviku vahetamisel kandke kaitsekindaid.

- ▶ Tõmmake padruni lukustus lõpuni tagasi ja eemaldage tarvik.

5.1.6 Sügavuspiiriku paigaldamine (lisavarustus) 7

1. Keerake käepidet, et lisakäepideme kinnitusmehhanismi (kinnitusriba) vabastada.
2. Lükake sügavuspiirik eest selleks ette nähtud 2 juhtauku.
3. Keerake käepidet, et lisakäepideme kinnitusmehhanismi (kinnitusriba) pingutada.

5.2 Töötamine

TÄHELEPANU

Vigastuste oht vale käsitlemise tõttu!

- ▶ Ärge vajutage reversilüliti või funktsiooni valiku lüliti ajal, mil seade töötab.

Järgige kasutusjuhendis esitatud ja tootele märgitud ohutusnõudeid ja hoiatusi.

5.2.1 Pöörlemissuund

- ▶ Reguleerige välja pöörlemissuund.
 - ▶ Lüliti fikseerub selles asendis.

5.2.2 Löögita puurimine 5

- ▶ Seadke töörežiimilüliti sümbolile:

5.2.3 Löökpuurimine 5

- ▶ Seadke töörežiimilüliti sümbolile:

6 Hooldus ja korrashoid

6.1 Hooldus ja korrashoid

HOIATUS

Vigastuste oht paigaldatud aku korral!

- ▶ Enne mis tahes hooldus- ja korrashoiutöid eemaldage seadmest aku!

Toote hooldus

- Eemaldage kõvast kinni olev mustus ettevaatlikult.
- Puhastage ventilatsiooniasjad ettevaatlikult kuiva, pehme harjaga.



- Puhastage korpust ainult veidi niiske lapiga. Ärge kasutage silikooni sisaldavaid hooldusvahendeid, sest need võivad kahjustada seadme plastdetalle.
- Seadme kontaktide puhastamiseks kasutage puhast kuiva lappi.

Liitiumioonakude hooldus

- Ärge kunagi kasutage akut, mille ventilatsioonivad on ummistunud. Puhastage ventilatsioonivasid ettevaatlikult kuiva, pehme harjaga.
- Kaitske akut tolmu ja mustuse eest. Ärge jätke akut kunagi suure niiskuse kätte (ärge asetage seda vette ja ärge jätke vihma kätte).
Kui aku on märjaks saanud, siis käsitlege seda nii, nagu oleks see kahjustatud. Isoleerige aku tulekindlas anumas ja pöörduge **Hilti** hooldekeskusesse.
- Hoidke aku puhas õlist ja rasvast. Vältige akusse asjatult tolmu ja mustuse kogunemist. Puhastage aku kuiva pehme harjaga või puhta kuiva lapiga. Ärge kasutage silikooni sisaldavaid hooldusvahendeid, sest need võivad kahjustada seadme plastdetalle.
Ärge puudutage aku kontakte ja ärge eemaldage kontaktidelt tehases peale kantud määret.
- Puhastage korpust ainult veidi niiske lapiga. Ärge kasutage silikooni sisaldavaid hooldusvahendeid, sest need võivad kahjustada seadme plastdetalle.

Tehnohooldus

- Kontrollige regulaarselt, kas kõik nähtavad osad on terved ja juhtelemendid töötavad veatult.
- Ärge kasutage seadet kahjustuste ja/või tõrgete korral. Laske seade kohe parandada **Hilti** hooldekeskuses.
- Pärast hooldus- ja korrashoiutöid paigaldage kõik kaitseseadised ja kontrollige, kas need töötavad veatult.



Tööohutuse tagamiseks kasutage ainult originaalvaruosi ja -materjale. **Hilti** heakskiidetud varuosad, materjalid ja lisatarvikud oma tootele leiате müügiesindusest **Hilti Store** või veebilehelt: www.hilti.group

6.2 Tolmukaitsekatte puhastamine

- ▶ Puhastage padruni tolmukaitsekattet regulaarselt puhta kuiva lapiga.
- ▶ Pühkige tihend ettevaatlikult puhtaks ja määrige seda kergelt **Hilti** määrdega.
- ▶ Kui tihend on kahjustatud, tuleb tolmukaitsekate välja vahetada.

7 Transport ja hoiustamine

7.1 Akutööriistade ja akude transport ja ladustamine

Transport

ETTEVAATUST

Soovimatu käivitamine transportimisel !

- ▶ Transportige tooteid ilma akudeta!
- ▶ Eemaldage aku/akud.
- ▶ Ärge kunagi transportige akusid lahtiselt. Enne aku transportimist tuleb aku pakendada nii, et see oleks kaitstud löökide ja vibratsiooni eest ning isoleeritud kõikidest elektrit juhtivatest materjalidest või teistest akudest, et vältida kokkupuudet teise aku poolustega ning lühise teket. **Järgige akude transpordi suhtes kehtivaid riigisiseid nõudeid.**
- ▶ Akusid ei tohi saata posti teel. Kahjustamata akude saatmiseks pöörduge logistikaettevõtja poole.
- ▶ Iga kord enne kasutamist ning enne ja pärast pikemat transporti või hoiustamist kontrollige seadet ja akusid vigastuste suhtes.

Hoiustamine

HOIATUS

Defektsed akud või lekkivad akud võivad tekitada vigastusi !

- ▶ Kasutusvälisel ajal eemaldage seadmest aku!
- ▶ Hoidke seadet ja akusid jahedas ja kuivas kohas. Pidage kinni tehnilistes andmetes toodud temperatuuripiirangutest.
- ▶ Ärge hoidke akusid laadimisseadmes. Pärast laadimist eemaldage aku laadimisseadmest.
- ▶ Ärge hoidke akusid päikese käes, radiaatori peal või klaasi taga.



- ▶ Hoidke seadet ja akusid lastele ja kõrvalistele isikutele ligipääsmatus kohas.
- ▶ Iga kord enne kasutamist ning enne ja pärast pikemaajalist seismist kontrollige seadet ja akusid kahjustuste suhtes.

8 Veotsing



8.1 Abi tõrgete puhul

Kui peaks esinema tõrge, mida ei ole järgmises tabelis nimetatud või mida Te ei suuda ise kõrvaldada, pöörduge **Hilti** hooldekeskusse.

8.2 Puurvasarat ei saa tööle rakendada

Tõrge	Võimalik põhjus	Lahendus
LED-tuled ei tööta.	Aku ei ole täielikult sisse pandud.	▶ Laske akul topeltklõpsuga kohale fikseeruda.
	Aku on tühi.	▶ Vahetage aku ja laadige tühi aku täis.
1 LED-tuli vilgub.	Aku on tühi.	▶ Vahetage aku ja laadige tühi aku täis.
	Aku on liiga kuum või liiga külm.	▶ Laske akul soojeneda/jahutada soovituslikule töötemperatuurile.
4 LED-tuld vilguvad.	Puurvasarale on avaldunud lühiajaliselt ülekoormus.	▶ Vabastage juhtlüliti ja vajutage sellele uuesti.

8.3 Puurvasarat saab tööle rakendada

Tõrge	Võimalik põhjus	Lahendus
Puudub löögifunktsioon.	Puurvasar on liiga külm.	▶ Asetage puurvasar maha ja laske sellel töötada tühikäigul. Vajaduse korral korrake toimingut, kuni löögimehhanism töötab.
	Töörežiimilüliti on asendis "Löögita puurimine"  .	▶ Seadke töörežiimilüliti asendisse "Löökpuurimine"  .
	Puurvasar on lülitatud vasakkäigule.	▶ Seadke reverslüliti paremale käigule.
Juhtlüliti ei saa alla vajutada või see on kinni kiilunud.	Reverlüliti on keskasendis.	▶ Lükake reverslüliti vasakule või paremale.
Spindel ei pöörle.	Puurvasara elektroonika temperatuur on lubatud töötemperatuurist kõrgem.	▶ Laske puurvasaral jahutada.
	Aku on tühi.	▶ Vahetage aku ja laadige tühi aku täis.
Puurvasar lülitub automaatselt välja.	Rakendub ülekoormuskaitse.	▶ Vabastage juhtlüliti. Laske puurvasaral jahutada. Vajutage juhtlüliti uuesti alla. Vähendage seadmele avalduvat koormust.
Aku tühjeneb tavalisest kiiremini.	Ümbritseva keskkonna väga madal temperatuur.	▶ Laske akul aeglaselt ruumitemperatuurini soojeneda.
Aku ei fikseeru kuuldava topeltklõpsuga kohale.	Aku fiksaatorninad on määrdunud.	▶ Puhastage fiksaatorninad ja paigaldage aku uuesti.
Puurvasar või aku läheb väga kuumaks.	Elektriga seotud rike	▶ Lülitage puurvasar kohe välja. Eemaldage aku ja ärge jätke seda järelevalveta. Laske akul jahutada. Võtke ühendust Hilti hooldekeskusega.



Tõrge	Võimalik põhjus	Lahendus
Puurvasar või aku läheb väga kuumaks.	Puurvasarale on avaldunud ülekoormus (jõudluspiirid on ületatud).	▶ Valige konkreetseks tööks sobiv seade.
Tarvikut ei saa padrunist vabastada.	Padrun ei ole täielikult tagasi tõmmatud.	▶ Tõmmake padrun lõpuni tagasi ja eemaldage tarvik.
Tarvik ei tungi sisse.	Puurvasar on lülitatud vasakkäigule.	▶ Seadke reverslüli paremale käigule.
	Töörežiimilüli on asendis "Löögita puurimine"	▶ Seadke töörežiimilüli asendisse "Löökpuurimine"

9 Utiliseerimine

HOIATUS

Valest käitlemisest tingitud vigastuste oht! Eralduvad gaasid või vedelikud on terviseohtlikud.

- ▶ Ärge saatke kahjustada saanud akusid posti teel!
- ▶ Lühise vältimiseks katke akukontaktid elektrit mittejuhtiva materjaliga.
- ▶ Käideldge akusid nii, et need ei satu laste kätte.
- ▶ Utiliseerige aku **Hilti Store** esinduses või pöörduge asjaomase jäätmekäitlusettevõtte poole.

Enamik **Hilti** seadmete valmistamisel kasutatud materjalidest on taaskasutatavad. Taaskasutuse eelduseks on materjalide korralik sorteerimine. Paljudes riikides kogub **Hilti** kasutusressursi ammendanud seadmed kokku. Lisateavet saate **Hilti** müügisindusest.



- ▶ Ärge visake kasutusressursi ammendanud elektrilisi tööriistu, elektroonikaseadmeid ja akusid olmejäätmete hulka!

10 RoHS (direktiiv ohtlike ainete kasutamise piirangute kohta)

Järgmiselt lingilt leiате ohtlike ainete tabeli: qr.hilti.com/r3159232.

RoHS-tabeli juurde viiva lingi leiате käesoleva dokumendi lõpust QR-koodina.

11 Tootja garantii

- ▶ Garantiitingimusi puudutavates küsimustes pöörduge oma kohaliku **Hilti** partneri poole.

Originālā lietošanas instrukcija

1 Informācija par dokumentāciju

1.1 Par šo dokumentāciju

- Pirms ekspluatācijas sākšanas obligāti izlasiet šo dokumentāciju. Tas ir priekšnoteikums darba drošībai un izstrādājuma lietošanai bez traucējumiem.
- Ievērojiet drošības norādījumus un brīdinājumus, kas atrodami šajā dokumentācijā un uz izstrādājuma.
- Vienmēr glabājiet lietošanas instrukciju izstrādājuma tuvumā un nododiet to kopā ar izstrādājumu, ja tas tiek nodots citām personām.

1.2 Apzīmējumu skaidrojums

1.2.1 Brīdinājumi

Brīdinājumi pievērš uzmanību bīstamībai, kas pastāv, strādājot ar izstrādājumu. Tiek lietoti šādi signālvārdi:

BĪSTAMI!

BĪSTAMI! !

- ▶ Pievērš uzmanību draudošām briesmām, kas var izraisīt smagus miesas bojājumus vai nāvi.



BRĪDINĀJUMS!

BRĪDINĀJUMS! !

- ▶ Pievērš uzmanību iespējamam apdraudējumam, kas var izraisīt smagas traumas vai pat nāvi.

IEVĒROT PIESARDZĪBU!

UZMANĪBU! !

- ▶ Norāda uz iespējami bīstamām situācijām, kas var izraisīt traumas vai materiālos zaudējumus.

1.2.2 Dokumentācijā lietotie simboli

Šajā dokumentācijā tiek lietoti šādi simboli:

	Pirms lietošanas izlasiet instrukciju
	Norādījumi par lietošanu un cita noderīga informācija
	Rīcība ar atreiz pārstrādājamiem materiāliem
	Neizmetiet elektroiekārtas un akumulatorus sadzīves atkritumos.

1.2.3 Attēlos lietotie simboli

Attēlos tiek lietoti šādi simboli:

	Šie skaitļi norāda uz attiecīgajiem attēliem, kas atrodami šīs instrukcijas sākumā.
	Numerācija attēlos atbilst veicamo darbību secībai un var atšķirties no darbību apraksta tekstā.
	Pozīciju numuri tiek lietoti attēlā Pārskats un norāda uz legendas numuriem sadaļā Izstrādājuma pārskats .
	Šī simbola uzdevums ir pievērst īpašu uzmanību izstrādājuma lietošanas laikā.

1.3 Simboli atkarībā no izstrādājuma

1.3.1 Simboli uz izstrādājuma

Uz izstrādājuma var tikt lietoti šādi simboli:

	Urbšana bez triecienu funkcijas
	Urbšana ar triecienu funkciju (triecienuurbšana)
	Rotācija pa labi / rotācija pa kreisi
	Aizsardzības klase II (divkārša izolācija)
n_0	Nominālais apgriezīnu skaits tukšgaitā
	Līdzstrāva
Li-Ion	Litija jonu akumulators
	Lietojamā Hilti litija jonu akumulatoru sērija. Ņemiet vērā informāciju, kas iekļauta nodaļā Nosacījumiem atbilstīga lietošana .
	Nekādā gadījumā nelietojiet akumulatoru kā triecieninstrumentu.
	Sargājiet akumulatoru no kritieniem. Nelietojiet akumulatoru, ja tas ir bijis pakļauts triecienam vai tam ir radušies cita veida bojājumi.
	Iekārta atbalsta tehnoloģiju NFC, kas ir saderīga ar iOS un Android platformām.



1.4 Izstrādājuma informācija

izstrādājumi ir paredzēti profesionāliem lietotājiem, un to darbināšanu, apkopi un tehniskā stāvokļa uzturēšanu drīkst veikt tikai kvalificēts, atbilstīgi apmācīts personāls. Personālam ir jābūt labi informētam par iespējamajiem riskiem, kas var rasties darba laikā. Izstrādājums un tā papildaprīkojums var radīt bīstamas situācijas, ja to uztic neprofesionālam personālam vai nelieto atbilstīgi nosacījumiem. Iekārtas tipa apzīmējums un sērijas numurs ir norādīti uz identifikācijas datu plāksnītes.

- ▶ Ierakstiet sērijas numuru zemāk redzamajā tabulā. Izstrādājuma dati jānorāda, vērsties mūsu pārstāvēniecībā vai servisā.

Izstrādājuma dati

Perforators	TE 4-A22
Paaudze	02
Sērijas Nr.	

1.5 Atbilstības deklarācija

Uzņemoties pilnu atbildību, mēs apliecinām, ka šeit aprakstītais izstrādājums atbilst šādām direktīvām un standartiem: Atbilstības deklarācijas attēls ir atrodams šīs dokumentācijas beigās.

Tehniskā dokumentācija ir saglabāta šeit:

Hilti Entwicklungsgesellschaft mbH | Zulassung Geräte | Hiltistraße 6 | 86916 Kaufering, DE

2 Drošība

2.1 Vispārīgi drošības norādījumi par darbu ar elektroiekārtām

⚠ BRĪDINĀJUMS! Izlasiet visus drošības norādījumus un instrukcijas. Šeit izklāstīto drošības norādījumu un instrukciju neievērošana var izraisīt elektrošoku, ugunsgrēku un/vai nopietnas traumas.

Saglabājiet visus drošības norādījumus un instrukcijas turpmākai lietošanai.

Drošība darba vietā

- ▶ **Uzturiet darba vietā tīrību un kārtību un nodrošiniet labu apgaismojumu.** Nekārtīgā darba vietā vai sliktā apgaismojumā var viegli notikt nelaimes gadījums.
- ▶ **Nestrādājiet ar elektroiekārtu sprādzienbīstamā vidē, kur atrodas uzliesmojoši šķidrumi, gāzes vai putekļi.** Darbības laikā elektroiekārtas mēdz dzirkstēļot, un tas var izraisīt viegli degošu putekļu vai tvaiku aizdegšanos.
- ▶ **Lietojot elektroiekārtu, neļaujiet nepiederošām personām un jo īpaši bērniem tuvoties darba vietai.** Citu personu klātbūtne var novērst uzmanību, un tā rezultātā jūs varat zaudēt kontroli pār iekārtu.

Elektrodrošība

- ▶ **Darba laikā nepieskarieties sazemētiem priekšmetiem, piemēram, caurulēm, radiatoriem, plītiem un ledusskapjiem.** Pieskaroties sazemētām virsmām, pieaug risks saņemt elektrisko triecienu.
- ▶ **Nelietojiet elektroiekārtu lietus laikā, neturiet to mitrumā.** Mitrumam iekļūstot elektroiekārtā, pieaug risks saņemt elektrisko triecienu.

Personiskā drošība

- ▶ **Strādājot ar elektroiekārtu, esiet uzmanīgi, pievērsiet uzmanību tam, ko jūs darāt un rīkojieties saprātīgi. Ar elektroiekārtu nedrīkst strādāt personas, kas ir nogurušas vai atrodas narkotiku, alkohola vai medikamentu ietekmē.** Mirklis neuzmanības darbā ar elektroiekārtu var novest pie nopietnām traumām.
- ▶ **Izmantojiet individuālos aizsardzības līdzekļus un darba laikā vienmēr nēsājiet aizsargbrilles.** Individuālo aizsardzības līdzekļu (putekļu aizsargmaskas, neslidošu apavu un aizsargķiveres vai ausu aizsargu) lietošana atbilstoši elektroiekārtas tipam un veicamā darba raksturam ļauj izvairīties no savainojumiem.
- ▶ **Nepieļaujiet iekārtas nekontrolētas ieslēgšanās iespēju. Pirms akumulatora pievienošanas, elektroiekārtas satveršanas vai pārvietošanas pārliecinieties, ka tā ir izslēgta.** Ja iekārtas pārvietošanas laikā pirksts atrodas uz slēdža vai ja ieslēgta iekārta tiek pievienota elektrotīklam, var notikt nelaimes gadījums.
- ▶ **Pirms elektroiekārtas ieslēgšanas jānoņem visi regulēšanas piederumi un uzgriežņu atslēgas.** Regulēšanas piederumi vai uzgriežņu atslēga, kas iekārtas ieslēgšanas brīdī atrodas iekārtā, var radīt traumas.
- ▶ **Izvairieties no nedabiskām pozām. Darba laikā vienmēr saglabājiet līdzsvaru un nodrošinieties pret paslīdēšanu.** Tas atvieglos elektroiekārtas vadību neparedzētās situācijās.



- ▶ **Izvēlieties darbam piemērotu apģērbu.** Darba laikā nenēsājiet brīvi plandošas drēbes un rotaslietas. Netuviniet matus, apģērbu un aizsargcimdus iekārtas kustīgajām daļām. Vaļīgas drēbes, rotaslietas un gari mati var iekerties iekārtas kustīgajās daļās.
- ▶ **Ja elektroiekārtas konstrukcija ļauj pievienot putekļu nosūcšanas vai savākšanas ierīci, sekojiet, lai tā būtu pievienota un tiktu darbināta pareizi.** Putekļu nosūcēja lietošana samazina putekļu kaitīgo ietekmi.

Elektroiekārtas lietošana un apkope

- ▶ **Nepārslogojiet elektroiekārtu.** Katram darbam izvēlieties piemērotu iekārtu. Elektroiekārta darbosies labāk un drošāk pie nominālās slodzes.
- ▶ **Nelietojiet elektroiekārtu, ja ir bojāts tās slēdzis.** Elektroiekārta, ko nevar ieslēgt un izslēgt, ir bīstama un nekavējoties jānodod remontā.
- ▶ **Izņemiet no iekārtas akumulatoru, pirms iestatījumu veikšanas, aprikojuma daļu nomaiņas vai iekārtas novietošanas glabāšanā.** Šādi jūs novērsīsiet elektroiekārtas nejaušas ieslēgšanās risku.
- ▶ **Elektroiekārtu, kas netiek darbināta, uzglabājiet piemērotā vietā. Neļaujiet lietot iekārtu personām, kas nav iepazinušās ar tās funkcijām un izlasījušas šo lietošanas instrukciju.** Ja elektroiekārtu lieto nekompetentas personas, tas var apdraudēt cilvēku veselību.
- ▶ **Rūpīgi veiciet elektroiekārtu apkopi.** Pārbaudiet, vai kustīgās daļas darbojas bez traucējumiem un neķeras un vai kāda no daļām nav salauzta vai bojāta un tādējādi netraucē elektroiekārtas nevainojamu darbību. Raugieties, lai pirms iekārtas lietošanas tiktu nomainītas vai saremontētas bojātās daļas. Daudzi nelaimes gadījumi notiek tāpēc, ka elektroiekārtām nav nodrošināta pareiza apkope.
- ▶ **Griezējinstrumentiem vienmēr jābūt uzasinātiem un tīriem.** Rūpīgi kopti griezējinstrumenti ar asām šķautnēm retāk iestrēgst un ir vieglāk vadāmi.
- ▶ **Lietojiet elektroiekārtu, piederumus, maināmos instrumentus utt. saskaņā ar šiem norādījumiem. Jāņem vērā arī konkrētie darba apstākļi un veicamās operācijas īpatnības.** Elektroiekārtu lietošana citiem mērķiem, nekā to ir paredzējis ražotājfirma, ir bīstama un var izraisīt neparedzamas sekas.

Ar akumulatoru darbināmas iekārtas lietošana un apkope

- ▶ **Akumulatora uzlādei jālieto tikai ražotāja ieteiktie lādētāji.** Noteikta veida akumulatoriem paredzēts lādētājs kļūst ugunsbīstams, ja to izmanto ar cita veida akumulatoriem.
- ▶ **Izmantojiet elektroiekārtas barošanai tikai tai paredzētos akumulatorus.** Cita tipa akumulatoru lietošana var izraisīt iekārtas un/vai akumulatora aizdegšanos.
- ▶ **Laikā, kad akumulators ir atvienots no iekārtas, nepieļaujiet tā kontaktu saskaršanos ar saspaudēm, monētām, atslēgām, naglām, skrūvēm vai citiem neliekiem metāla priekšmetiem, kas varētu izraisīt īssavienojumu.** Ja starp akumulatora kontaktiem rodas īssavienojums, tas var sadegt vai kļūt par ugunsgrēka cēloni.
- ▶ **Nepareizi lietojot akumulatoru, no tā var izplūst šķidrums. Nepieļaujiet tā nokļūšanu uz ādas.** No akumulatora izplūdušais šķidrums var izraisīt ādas kairinājumu vai pat apdegumus. Ja tas tomēr nejausī ir noticis, noskalojiet ar ūdeni. Ja šķidrums iekļūst acīs, izskalojiet acis un nekavējoties griezieties pie ārsta.

Serviss

- ▶ **Uzdodiet elektroiekārtas remontu veikt tikai kvalificētam personālam, kas izmanto vienīgi oriģinālās rezerves daļas.** Tikai tā ir iespējams saglabāt elektroiekārtas funkcionālo drošību.

2.2 Papildnorādījumi par perforatora drošību

Personīgā drošība

- ▶ Lietojiet izstrādājumu un tā papildaprīkojumu tikai tad, ja tas ir nevainojamā stāvoklī.
- ▶ Nekādā gadījumā nemēģiniet ietekmēt izstrādājuma vai tā papildaprīkojuma funkcijas vai to pārveidot.
- ▶ Lietojiet kopā ar izstrādājumu piegādātos papildu rokturus. Kontroles zudums var kļūt par cēloni traumām.
- ▶ Pirms laušanas vai urbšanas darbiem, kas šķērso celtnes daļas, atbilstoši jānodrošina attiecīgās celtnes daļas pretējā puse. Atlūzuši materiāla fragmenti var izkrist caur atveri un/vai nokrist un savainot cilvēkus.
- ▶ Vienmēr stingri turiet iekārtu ar abām rokām aiz šim nolūkam paredzētajiem rokturiem. Raugieties, lai rokturi vienmēr būtu sausi un tīri.
- ▶ Ja darba laikā pastāv iespēja, ka instruments var nonākt saskarē ar aplsēptiem elektriskajiem vadiem, vienmēr satveriet izstrādājumu aiz izolētajām rokturu virsmām. Saskaroties ar spriegumam pieslēgtiem vadiem, spriegums tiek novadīts uz iekārtas metāla daļām, radot elektrošoka risku.
- ▶ Izvairieties no saskares ar rotējošām daļām. Traumu risks!
- ▶ Izstrādājuma lietošanas laikā valkājiet acu aizsarglīdzekļus, aizsargķiveri, dzirdes aizsarglīdzekļus un piemērotus elpceļu aizsarglīdzekļus.



- ▶ Instrumenta nomaiņas laikā valkājiet aizsargcimdus. Saskare ar maināmo instrumentu var izraisīt grieztas traumas un apdegumus.
- ▶ Valkājiet aizsargbrilles vai masku. Materiāla šķembas var savainot ķermeni un acis.
- ▶ Putekļi, kas rodas slīpēšanas, griešanas un urbšanas laikā, var saturēt bīstamas ķīmikālijas. Daži piemēri: svins vai krāsas uz svina bāzes; ķieģeļi, betons un citi mūra materiāli, dabīgais akmens un citi silikātus saturoši produkti; noteiktu veidu koksne, piemēram, skābardis, ozols un ķīmiska apstrādāta koksne; azbests vai azbestu saturoši materiāli. Nosakiet ekspozīcijas līmeni, kam pakļauts iekārtas lietotājs un tuvumā esošās personas, vadoties pēc apstrādājamo materiālu bīstamības kategorijas. Veiciet nepieciešamos pasākumus, lai ekspozīcija nesasniegtu kaitīgu līmeni, piemēram, lietojiet putekļu nosūkšanas sistēmu vai piemērotus elpceļu aizsardzības līdzekļus. Vispārīgie ekspozīcijas ierobežošanas pasākumi ir šādi:
 - ▶ darbs labi vēdināmās vietās,
 - ▶ izvairīšanās no ilgstošas saskares ar putekļiem,
 - ▶ putekļu novirzīšana projām no sejas un ķermeņa,
 - ▶ aizsargapģērba valkāšana un savārtītā apģērba mazgāšana ar ūdeni un ziepēm.
- ▶ Biežāk pārtrauciet darbu un izpildiet pirkstu vingrinājumus, kas uzlabo asinsriti. Ilgstoša darba gadījumā spēcīga vibrācija var radīt traucējumus pirkstu, roku vai plaukstu locītavu asinsvadu un nervu sistēmas funkcijās.

Elektrodrošība

- ▶ Pirms darba sākšanas pārbaudiet, vai darba zonā neatrodas neseģti elektrības vadi, gāzes vai ūdensapgādes caurules. Iekārtas ārējās metāla daļas var izraisīt elektriskās strāvas triecienus vai izraisīt eksploziju, ja darba laikā tiek bojāti elektriskie vadi, gāzes vai ūdens caurules.

Rūpīga elektroiekārtu lietošana un apkope

- ▶ Nekavējoties izslēdziet izstrādājumu, ja nobloķējas darba instruments. Izstrādājums var tikt novirzīts uz sāniem.
- ▶ Pirms novietot izstrādājumu, nogaidiet, līdz pilnībā apstājas tā kustība.

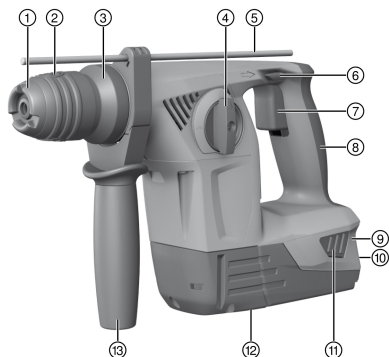
2.3 Akumulatoru pareiza lietošana un apkope

- ▶ Ievērojiet īpašos norādījumus par litija jonu akumulatoru transportēšanu, uzglabāšanu un ekspluatāciju.
- ▶ Sargājiet akumulatorus no augstas temperatūras, tiešiem saules stariem un uguns.
- ▶ Akumulatorus nedrīkst izjaukt, saspiest, sakarsēt virs 80 °C (176 °F) vai sadedzināt.
- ▶ Nemēģiniet izmantot vai uzlādēt akumulatorus, kas bijuši pakļauti triecienam, krituši no vairāk nekā viena metra augstuma vai ir citā veidā bojāti. Šādā gadījumā vienmēr vērsieties savā **Hilti servisā**.
- ▶ Ja akumulators kļūst pārāk karsts, iespējams, ka tas ir bojāts. Novietojiet akumulatoru labi pārredzamā, ugunsdrošā vietā, pietiekamā atstatumā no degošiem materiāliem. Ļaujiet akumulatoram atdzist. Ja pēc stundas akumulators joprojām ir tik karsts, ka to ir grūti satvert, tas nozīmē, ka tas ir bojāts. Vērsieties **Hilti servisā**.



3 Apraksts

3.1 Iekārtas daļas, vadības un indikācijas elementi



- ① Putekļu aizsargs
- ② Instrumenta patrona
- ③ Instrumenta atbloķēšana
- ④ Funkcijas izvēles slēdzis
- ⑤ Dziļuma atdure
- ⑥ Labā / kreisā rotācijas virziena slēdzis ar ieslēgšanas bloķēšanu
- ⑦ Vadības slēdzis
- ⑧ Rokturis
- ⑨ Akumulators
- ⑩ Uzlādes statusa un traucējumu indikācija (litija jonu akumulatoram)
- ⑪ Akumulatora atbloķēšanas taustiņi
- ⑫ Putekļu mezgla pieslēgums TE DRS-4-A(01)
- ⑬ Sānu rokturis

3.2 Nosacījumiem atbilstīga lietošana

Aprakstītais izstrādājums ir perforators ar akumulatora barošanu. Tas ir paredzēts urbšanai tēraudā, kokā un mūrī, triecienurbšanai betonā un mūrī, kā arī skrūvju ieskrūvēšanai un izskrūvēšanai.

- Lietojiet šī izstrādājuma barošanai tikai sērijas B 22 **Hilti** litija jonu akumulatorus.
- Lietojiet šo akumulatoru uzlādēšanai tikai **Hilti** apstiprinātus lādētājus. Sīkāku informāciju jūs atradīsiet savā **Hilti Store** vai tīmekļvietnē www.hilti.group.

3.3 Litija jonu akumulatora indikācija

Lietojot litija jonu akumulatoru, uzlādes statusu iespējams apskatīties, īsi nospiežot vienu no atbloķēšanas taustiņiem.

Stassus	Nozīme
Deg 4 LED.	Uzlādes statuss: no 75 % līdz 100 %
Deg 3 LED.	Uzlādes statuss: no 50 % līdz 75 %
Deg 2 LED.	Uzlādes statuss: no 25 % līdz 50 %
1 LED deg.	Uzlādes statuss: no 10 % līdz 25 %
1 LED mirgo.	Uzlādes statuss: < 10 %

Darba laikā un uzreiz pēc tā pabeigšanas uzlādes statusa nolaišana nav iespējama. Ja mirgo akumulatora uzlādes statusa indikācijas LED, lūdzu, ievērojiet nodaļas norādījumus "Traucējumu diagnostika".

3.4 Piegādes komplektācija

Perforators, sānu rokturis, dziļuma atdure, lietošanas instrukcija.



Putekļu nosūkšanas modulis TE DRS-4-A (01) tiek piedāvāts kā papildaprīkojums, lai mazinātu putekļu izplatīšanos darba laikā.

Citus šim izstrādājumam izmantojamus sistēmas produktus meklējiet **Hilti Store** vai tīmekļvietnē: www.hilti.group

4 Tehniskie parametri

4.1 Perforators

	TE 4-A22
Svars saskaņā ar EPTA Procedure 01, ar akumulatoru B22/8.0	3,9 kg
Atsevišķu triecienu enerģija saskaņā ar EPTA procedūru 05/2009	2 J
Urbšanas diapazons betonā / mūrī (urbšana ar triecienu funkciju)	4 mm ... 28 mm
Urbšanas diapazons kokā (ar masīvo urbi)	3 mm ... 20 mm
Urbuma izmēri metālā (bezserdes urbums)	3 mm ... 10 mm

4.2 Informācija par troksni un svārstībām

Šajās instrukcijās norādītie lielumi, kas raksturo skaņas spiedienu un vibrāciju, ir noteikti ar standartizētas mērījumu metodes palīdzību, un tos var izmantot elektroiekārtu savstarpējai salīdzināšanai. Tos var izmantot arī trokšņa un vibrācijas iedarbības pagaidu novērtējumam. Norādītie parametri attiecas uz elektroiekārtas galvenajiem lietošanas veidiem. Taču, ja elektroiekārta tiek izmantota citos nolūkos, ar citiem maināmajiem instrumentiem vai netiek nodrošināta pietiekama tās apkope, parametri var atšķirties no norādītajiem. Tas var ievērojami palielināt trokšņa un vibrācijas iedarbību visā darba laikā. Lai precīzi novērtētu iedarbību, jāņem vērā arī laiks, cik ilgi iekārta ir izslēgta vai ir ieslēgta, taču faktiski netiek darbināta. Tas var būtiski samazināt iedarbību kopējā darba laikā. Jāparedz papildu drošības pasākumi, lai aizsargātu iekārtas lietotāju pret trokšņa un/vai vibrācijas iedarbību, piemēram, elektroiekārtas un maināmo instrumentu apkope, roku turēšana siltumā, darba procesu organizācija.

Skaņas emisijas parametri noteikti saskaņā ar EN 60745

Skaņas jaudas līmenis (L_{WA})	99 dB(A)
Skaņas jaudas līmeņa pielaidē (K_{WA})	3 dB(A)
Skaņas spiediena līmenis (L_{pA})	88 dB(A)
Skaņas spiediena līmeņa pielaidē (K_{pA})	3 dB(A)

Kopējie svārstību rādītāji, kas noteikti saskaņā ar EN 60745

Triecienuurbšana betonā (a_h , HD)	11 m/s ²
Iespējamā kļūda (K)	1,5 m/s ²

4.3 Akumulators

Akumulatora darba spriegums	21,6 V
Apkārtējā temperatūra darbības laikā	-17 °C ... 60 °C
Uzglabāšanas temperatūra	-20 °C ... 40 °C
Akumulatora temperatūra uzlādes sākumā	-10 °C ... 45 °C

5 Lietošana

5.1 Sagatavošanās darbam

BRĪDINĀJUMS!

Traumu risks nejaušas iedarbošanās gadījumā!

- ▶ Pirms akumulatora ievietošanas pārliecinieties, ka attiecīgais izstrādājums ir izslēgts.
- ▶ Pirms iekārtas iestatīšanas vai piederumu maiņas izņemiet no iekārtas akumulatoru.

Ievērojiet drošības norādījumus un brīdinājumus, kas atrodami šajā dokumentācijā un uz izstrādājuma.



5.1.1 Sānu roktura montāža

1. Pagrieziet rokturi, lai atbrīvotu sānu roktura turētāju (fiksācijas lenti).
2. No priekšpuses uzbidiet turētāju (fiksācijas lenti) pāri instrumenta patronai līdz tam paredzētajai rievai.
3. Novietojiet sānu rokturi nepieciešamajā pozīcijā.
4. Pagrieziet rokturi, lai nospriegotu sānu roktura turētāju (fiksācijas lenti).

5.1.2 Akumulatora ievietošana

1. Ievietojiet akumulatoru iekārtas stiprinājumā, līdz tas dzirdami nofiksējas.
2. Pārbaudiet, vai akumulators ir droši nofiksēts.

5.1.3 Akumulatora izņemšana

1. Nospiediet akumulatora atbloķēšanas taustiņus.
2. Izvelciet akumulatoru virzienā uz aizmuguri.

5.1.4 Maināmā instrumenta ievietošana

1. Viegli ieziediet maināma instrumenta gaļu ar smērvielu.
 - ▶ Lietojiet tikai oriģinālās Hilti smērvielas. Neatbilstīgas smērvielas var izraisīt iekārtas bojājumus.
2. Līdz galam ievietojiet maināmo instrumentu patronā un ļaujiet tam nofiksēties.
3. Pēc instrumenta ievietošanas pavelciet to, lai pārbaudītu, vai tas ir droši nofiksēts.
 - ▶ Izstrādājums ir gatavs lietošanai.

5.1.5 Maināmā instrumenta izņemšana

IEVĒROT PIESARDZĪBU!

Traumu risks, ko rada darba instruments! Maināmais instruments var būt karsts vai ar asām malām.
▶ Darba instrumenta nomaiņas laikā valkājiet aizsargcimdus.

- ▶ Līdz galam atvelciet maināmā darba instrumenta fiksācijas patronu un izņemiet instrumentu.

5.1.6 Dziļuma atdures (papildaprīkojums) montāža

1. Pagrieziet rokturi, lai atbrīvotu sānu roktura turētāju (fiksācijas lenti).
2. No priekšpuses iebidiet dziļuma atduri šim nolūkam paredzētajās 2 vadotnes atverēs.
3. Pagrieziet rokturi, lai nospriegotu sānu roktura turētāju (fiksācijas lenti).

5.2 Darbs

UZMANĪBU!

Bojājumu risks nepareizas lietošanas gadījumā!

- ▶ Nepārslēdziet rotācijas virziena un/vai funkciju izvēles slēdzi laikā, kad iekārta darbojas.

Ievērojiet drošības norādījumus un brīdinājumus, kas atrodami šajā dokumentācijā un uz izstrādājuma.

5.2.1 Rotācijas virziens

- ▶ Iestatiet rotācijas virzienu.
 - ▶ Slēdzis nofiksējas šādā pozīcijā.

5.2.2 Urbšana bez triecienu funkcijas

- ▶ Iestatiet funkciju pārslēdzēju uz šādu simbolu: .

5.2.3 Urbšana ar triecienu funkciju

- ▶ Iestatiet funkciju pārslēdzēju uz šādu simbolu: .



6 Apkope un uzturēšana

6.1 Apkope un uzturēšana

BRĪDINĀJUMS!

Traumu risks ievietota akumulatora gadījumā !

- ▶ Pirms jebkādiem apkopes un tehniskā stāvokļa uzturēšanas darbiem vienmēr izņemiet akumulatoru!

Izstrādājuma kopšana

- Uzmaniģi notīriet pielipušos netīrumus.
- Ja izstrādājumam ir ventilācijas atveres, uzmaniģi iztīriet tās ar sausu, mīkstu birstīti.
- Notīriet korpusa virsmas tikai ar nedaudz samitrinātu drāniņu. Nelietojiet silikonu saturošus kopšanas līdzekļus, jo tie var sabojāt plastmasas daļas.
- Izstrādājuma kontaktu tīrīšanai lietojiet tīru un sausu drāniņu.

Litija jonu akumulatoru apkope

- Nekādā gadījumā nelietojiet akumulatoru ar nosprostotām ventilācijas atverēm. Uzmaniģi iztīriet ventilācijas atveres ar sausu, mīkstu birstīti.
- Nepakļaujiet akumulatoru nevajadzīgai putekļu vai netīrumu ietekmei. Nekādā gadījumā nepakļaujiet akumulatoru spēcīgam mitrumam (piemēram, nemērciet to ūdenī un neatstājiet lietū).
Ja akumulators ir samircis, rīkojieties ar to tāpat, kā jūs rīkotos ar bojātu akumulatoru. Ievietojiet to izolētā nedegoša materiāla tvērnē un vērsieties **Hilti** servisā.
- Raugieties, lai akumulators nebūtu savārtīts ar nepiederīgu eļļu un smērvielām. Raugieties, lai uz akumulatora nevajadzīgi neuzkrātos putekļi un netīrumi. Notīriet akumulatoru ar sausu, mīkstu birstīti vai tīru un sausu drāniņu. Nelietojiet silikonu saturošus kopšanas līdzekļus, jo tie var sabojāt plastmasas daļas.
Nepieskarieties akumulatora kontaktiem un neattīriet kontaktus no rūpnīcā uzklātās smērvielas.
- Notīriet korpusa virsmas tikai ar nedaudz samitrinātu drāniņu. Nelietojiet silikonu saturošus kopšanas līdzekļus, jo tie var sabojāt plastmasas daļas.

Uzturēšana

- Regulāri pārbaudiet visas redzamās daļas, lai pārliecinātos, ka tās nav bojātas un funkcionē nevainojami.
- Nelietojiet izstrādājumu, ja tam ir radušies bojājumi un/vai funkciju traucējumi. Nekavējoties nododiet izstrādājumu **Hilti** servisā remonta veikšanai.
- Pēc apkopes un remonta darbiem piemontējiet vietā visas aizsargierīces un pārbaudiet, vai tās darbojas nevainojami.



Lai iekārtas lietošana būtu droša, izmantojiet tikai oriģinālās rezerves daļas un patēriņa materiālus. Rezerves daļas, patēriņa materiālus un piederumus, kuru lietošanu kopā ar šo izstrādājumu akceptē **Hilti**, var atrast **Hilti Store** vai tīmekļvietnē: www.hilti.group

6.2 Putekļu aizsarga tīrīšana

- ▶ Putekļu aizsargs, kas atrodas pie instrumenta patronas, jānotīra ar tīru un sausu drāniņu.
- ▶ Blīvējuma apmale uzmaniģi jānotīra un viegli jāieziež ar **Hilti** smērvielu.
- ▶ Ja blīvējuma apmale ir bojāta, putekļu aizsargs obligāti jānomaina.

7 Transportēšana un uzglabāšana

7.1 Iekārtu un akumulatoru transportēšana un uzglabāšana

Transportēšana

IEVĒROT PIESARDZĪBU!

Nekontrolēta iedarbošanās transportēšanas laikā !

- ▶ Pirms iekārtu transportēšanas vienmēr izņemiet no tām akumulatorus!
- ▶ Izņemiet akumulatoru / akumulatorus.
- ▶ Nekādā gadījumā netransportējiet akumulatorus nenostiprinātā veidā, sabērtus kaudzē. Transportēšanas laikā akumulatori jāsaģā no triecieniem un vibrācijas, kā arī jāizolē no jebkādiem materiāliem, kam piemīt elektriskā vadītspēja, lai nepieļautu to nonākšanu saskarē ar citu



bateriju kontaktiem un īssavienojuma rašanos. **Ievērojiet vietējos noteikumus par akumulatoru transportēšanu.**

- ▶ Akumulatorus nedrīkst sūtīt pa pastu. Ja vēlaties nosūtīt nebojātus akumulatorus, vērsieties sūtījumu piegādes uzņēmumā.
- ▶ Pirms katras lietošanas, kā arī pēc ilgākas transportēšanas pārbaudiet, vai izstrādājums un akumulatori nav bojāti.

Uzglabāšana

BRĪDINĀJUMS!

Neparedzami bojājumi bojātu vai izplūdušu akumulatoru dēļ!

- ▶ Pirms iekārtu novietošanas glabāšanā vienmēr izņemiet no tām akumulatorus!
- ▶ Glabājiet izstrādājumu un akumulatoru vēsā un sausā vietā. Ievērojiet temperatūras robežvērtības, kas norādītas tehnisko parametru sadaļā.
- ▶ Neglabājiet akumulatorus uz lādētāja. Pēc uzlādes procesa vienmēr noņemiet akumulatoru no lādētāja.
- ▶ Nekad neglabājiet akumulatorus saulē, uz siltuma avotiem vai aiz stikla.
- ▶ Glabājiet izstrādājumu un akumulatorus tā, lai tiem nevarētu piekļūt bērni un nepiederošas personas.
- ▶ Pirms katras lietošanas, kā arī pēc ilgākas uzglabāšanas pārbaudiet, vai izstrādājums un akumulatori nav bojāti.

8 Traucējumu diagnostika

8.1 Traucējumu novēršana

Ja iekārtas darbībā ir radušies traucējumi, kas nav uzskaitīti šajā tabulā vai ko jums neizdodas novērst saviem spēkiem, lūdzu, meklējiet palīdzību mūsu **Hilti** servisā.



8.2 Perforators nav gatavs darbam

Traucējums	Iespējamais iemesls	Risinājums
LED indikācijas nav.	Akumulators nav pilnībā iebīdīts.	▶ Nofiksējiet akumulatoru ar sadzirdamu, divkāršu klikšķi.
	Akumulators ir izlādējies.	▶ Nomainiet akumulatoru un uzlādējiet tukšo akumulatoru.
1 LED mirgo.	Akumulators ir izlādējies.	▶ Nomainiet akumulatoru un uzlādējiet tukšo akumulatoru.
	Akumulators ir pārāk auksts vai pārāk karsts.	▶ Nodrošiniet ieteicamo akumulatora darba temperatūru.
4 LED mirgo.	Perforators ir īslaicīgi pārslogots.	▶ Atlaidiet vadības slēdzi un pēc tam nospiediet to vēlreiz.

8.3 Perforators ir gatavs darbam

Traucējums	Iespējamais iemesls	Risinājums
Nav triecienu funkcijas.	Perforators ir pārāk auksts.	▶ Novietojiet perforatoru uz virsmas un neilgu laiku padarbinot to tukšgaitā. Ja nepieciešams atkārtojiet šo procesu, līdz triecienu mehānisms iedarbojas.
	Funkciju pārslēdzējs pozīcijā "Urbšana bez triecienu funkcijas"	▶ Novietojiet funkciju pārslēdzēju pozīcijā "Triecienuurbšana"
	Ieslēgts kreisais rotācijas virziens.	▶ Labā / kreisā rotācijas virziena pārslēgšana uz labo.
Vadības slēdzi nav iespējams nospiegt, respektīvi, tas ir nobloķēts.	Labā / kreisā rotācijas virziena slēdzis vidējā pozīcijā.	▶ Pārvietojiet labā / kreisā rotācijas virziena pārslēdzēju pa labi vai pa kreisi.
Iekārtas vārpsta negriežas.	Pārsniegta perforatora elektronikas pieļaujamā darba temperatūra.	▶ Ļaujiet perforatoram atdzist.




Trucējums	Iespējamais iemesls	Risinājums
Iekārtas vārpsta negriežas.	Akumulators ir izlādējies.	▶ Nomainiet akumulatoru un uzlādējiet tukšo akumulatoru.
Perforators automātiski izslēdzas.	Neiedarbojas aizsardzība pret pārslodzi.	▶ Atlaidiet vadības slēdzi. Ļaujiet perforatoram atdzist. Vēlreiz nospiediet vadības slēdzi. Samaziniet iekārtas slodzi.
Akumulators izlādējas ātrāk nekā parasti.	Ļoti zema apkārtējā temperatūra.	▶ Ļaujiet akumulatoram pamazām sasilt līdz istabas temperatūrai.
Akumulators nenofiksējas ar sadzirdamu, divkāršu klikšķi.	Netīri akumulatora fiksācijas izciļņi.	▶ Notīriet fiksācijas mēlītes un nofiksējiet akumulatoru no jauna.
Perforators vai akumulators spēcīgi sakarst.	Elektrisks defekts.	▶ Nekavējoties izslēdziet perforatoru. Izņemiet akumulatoru un vērojiet to. Ļaujiet tam atdzist. Vērsieties Hilti servisā.
	Perforators ir pārslēgots (pārsniegta ekspluatācijas robežvērtības).	▶ Izvēlieties veicamajam darbam atbilstīgu iekārtu.
Instrumentu nevar atbrīvot no fiksācijas.	Instrumenta patrona nav pilnībā atvilkta atpakaļ.	▶ Līdz galam atvelciet instrumenta fiksācijas mehānismu un izņemiet instrumentu.
Instrumenta negriež materiālu.	Ieslēgts kreisais rotācijas virziens.	▶ Labā / kreisā rotācijas virziena pārslēgšana uz labo.
	Funkciju pārslēdzējs pozīcijā "Urbšana bez triecienu funkcijas"  .	▶ Novietojiet funkciju pārslēdzēju pozīcijā "Triecienurbšana"  .

9 Nokalpojušo iekārtu utilizācija

BRĪDINĀJUMS!

Traumu risks neatbilstīgas utilizācijas gadījumā! Veselības apdraudējums, izplūstot kaitīgām gāzēm un šķidrumiem.

- ▶ Bojātus akumulatorus nav atļauts nosūtīt!
- ▶ Lai nepieļautu īssavienojumus, nosedziet pieslēguma kontaktus ar materiālu, kam nepiemīt elektriskā vadītspēja.
- ▶ Utilizējiet akumulatorus tā, lai tiem nevarētu piekļūt bērni.
- ▶ Nododiet akumulatoru utilizācijai jūs apkalpojošajā **Hilti Store** vai vērsieties pie kompetentā atkritumu apsaimniekošanas uzņēmuma.

 **Hilti** izstrādājumu izgatavošanā tiek izmantoti galvenokārt otrreiz pārstrādājami materiāli. Priekšnosacījums otrreizējai pārstrādei ir atbilstoša materiālu šķirošana. Daudzās valstīs **Hilti** pieņem nolietotās iekārtas otrreizējai pārstrādei. Lai saņemtu vairāk informācijas, vērsieties **Hilti** servisā vai pie sava pārdošanas konsultanta.



- ▶ Neizmetiet elektroiekārtas, elektroniskas ierīces un akumulatorus sadzīves atkritumos!

10 RoHS (direktīva par bīstamo vielu izmantošanas ierobežošanu)

Lai apskatītu bīstamo vielu tabulu, izmantojiet šādu saiti: qr.hilti.com/r3159232.

Saiti uz RoHS tabulu jūs QR koda veidā atradīsiet šīs dokumentācijas beigās.

11 Ražotāja garantija

- ▶ Ar jautājumiem par garantijas nosacījumiem, lūdzu, vērsieties pie vietējā **Hilti** partnera.



Originali naudojimo instrukcija

1 Dokumentų duomenys

1.1 Apie šią instrukciją

- Prieš pradėdami eksploatuoti, perskaitykite šią instrukciją. Tai yra saugaus darbo ir patikimo naudojimo sąlyga.
- Laikykitės šioje instrukcijoje ir ant prietaiso pateiktų saugos nurodymų ir įspėjimų.
- Šią naudojimo instrukciją visada laikykite kartu su prietaisu, prietaisą kitiems asmenims perduokite tik kartu su šia instrukcija.

1.2 Ženklų paaiškinimas

1.2.1 Įspėjantieji nurodymai

Įspėjantieji nurodymai įspėja apie pavojus, gresiančius eksploatuojant prietaisą. Naudojami tokie signaliniai žodžiai:

PAVOJUS

PAVOJUS !

- ▶ Šis žodis vartojamas norint įspėti apie tiesiogiai gresiantį pavojų, kurio pasekmės yra sunkūs kūno sužalojimai arba žūtis.

ISPĖJIMAS

ISPĖJIMAS !

- ▶ Šis žodis vartojamas norint įspėti apie galimai gresiantį pavojų, kurio pasekmės gali būti sunkūs kūno sužalojimai arba žūtis.





ATSARGIAI

ATSARGIAI !

- ▶ Šis žodis vartojamas potencialiai pavojingai situacijai žymėti, kai yra kūno sužalojimo arba materialinių nuostolių grėsmė.


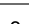


1.2.2 Instrukcijoje naudojami simboliai

Šioje instrukcijoje naudojami tokie simboliai:

	Prieš naudojant, perskaityti instrukciją
	Naudojimo nurodymai ir kita naudinga informacija
	Rodo, kad juo paženklintą medžiagą galima perdirbti
	Elektrinių prietaisų ir akumuliatorių nemesti į buitinius šiukšlynus

1.2.3 Iliustracijose naudojami simboliai

Iliustracijose naudojami šie simboliai:

	Šis skaitmenys nurodo atitinkamą iliustraciją šios instrukcijos pradžioje
	Numeravimas nurodo darbinių veiksmų eiliškumą paveikslėlyje ir gali skirtis nuo tekste pateikto darbinių veiksmų numeravimo
	Pozicijų numeriai naudojami paveikslėlyje Apžvalga – jie nurodo skyrelyje Prietaiso vaizdas esančių paaiškinimų numerius
	Šiuo ženklu siekiama atkreipti ypatingą dėmesį į naudojamą šiuo prietaisu.



1.3 Specifiniai prietaiso simboliai

1.3.1 Simboliai ant prietaiso

Ant prietaiso gali būti naudojami šie simboliai:

	Grėžimas be smūgiavimo
	Grėžimas smūgiuojant (smūginis grėžimas)
	Dešininė / kairinė eiga
	II apsaugos klasė (su dviguba izoliacija)
n_0	Nominalus tuščiosios eigos sukimosi greitis
	Nuolatinė srovė
Li-Ion	Ličio jonų akumulatorius
	Naudotas Hilti serijos ličio jonų akumulatorius. Atkreipkite dėmesį į duomenis skyriuje Naudojimas pagal paskirtį .
	Niekada nenaudokite akumulatoriaus kaip smūginio įrankio.
	Saugokite, kad akumulatorius nenukristų. Nenaudokite akumulatoriaus, kuris buvo sutrenktas arba kaip nors kitaip pažeistas.
	Prietaisas palaiko NFC technologiją, suderinamą su „iOS“ ir „Android“ platformomis.

1.4 Informacija apie prietaisą

HILTI gaminiai yra skirti profesionalams, todėl juos naudoti, techniškai prižiūrėti ir remontuoti leidžiama tik įgaliotam instruktui personalui. Šis personalas turi būti supažindintas su visais galimais pavojais. Neapmokyto personalo, netinkamai arba ne pagal paskirtį naudojamas prietaisas ir jo reikmenys gali kelti pavojų.

Tipas ir serijos numeris yra nurodyti firminėje duomenų lentelėje.

- Serijos numerį perkeltkite į toliau nurodytą lentelę. Kreipdamiesi su prietaisu susijusiais klausimais į mūsų atstovybę ar techninės priežiūros centrą, visada nurodykite šiuos prietaiso duomenis.

Prietaiso duomenys

Perforatorius	TE 4-A22
Karta	02
Serijos Nr.	

1.5 Atitikties deklaracija

Atsakingai pareiškiame, kad čia yra aprašytas produktas atitinka taikomas direktyvas ir standartus. Atitikties deklaracijos kopiją rasite šio dokumento gale.

Techninė dokumentacija saugoma čia:

Hilti Entwicklungsgesellschaft mbH | Zulassung Geräte | Hiltistraße 6 | 86916 Kaufering, DE

2 Sauga

2.1 Bendrieji saugos nurodymai dirbantiems su elektriniais įrankiais

⚠ IŠPĖJIMAS! Perskaitykite visus saugos nurodymus ir instrukcijas. Šių saugos nurodymų ir instrukcijų nesilaikymas gali tapti elektros smūgio, gaisro ir / arba sunkių sužalojimų priežastimi.

Išsaugokite visus saugos nurodymus ir instrukcijas, kad galėtumėte į juos pažvelgti ateityje.

Sauga darbo vietoje

- **Pasirūpinkite, kad darbo vieta visada būtų švari ir gerai apšviesta.** Netvarkinga ar blogai apšviesta darbo vieta gali tapti nelaimingų atsitikimų priežastimi.



- ▶ **Nenaudokite šio elektrinio įrankio sprogioje aplinkoje, kurioje yra degių skysčių, dujų arba dulkių.** Veikiantys elektriniai įrankiai kibirkščiuoja, ir kibirkštys gali uždegti dulkes arba susikaupusius garus.
- ▶ **Dirbdami su elektriniu įrankiu, neleiskite darbo zonoje būti vaikams ir pašaliniam asmenims.** Atitraukę dėmesį nuo darbo, galite nebesuvaldyti prietaiso.

Apsauga nuo elektros

- ▶ **Venkite kūno kontakto su žemintais paviršiais, pvz., vamzdžiais, šildytuvais, viryklėmis ir šaldytuvais.** Kai žmogaus kūnas yra žemintas, padidėja elektros smūgio tikimybė.
- ▶ **Saugokite elektrinius įrankius nuo lietaus ir drėgmės.** Į elektrinį įrankį patekus vandens, padidėja elektros smūgio rizika.

Žmonių sauga

- ▶ **Dirbdami su elektriniu įrankiu, būkite atidūs, sutelkite dėmesį į darbą ir vadovaukitės sveika nuovoka.** Elektrinio įrankio nenaudokite, jeigu esate pavargę arba apsaigę nuo narkotinių medžiagų, alkoholio ar vaistų. Neatidumo akimirka dirbant su elektriniu įrankiu gali tapti rimtu sužalojimų priežastimi.
- ▶ **Naudokite asmenines apsaugos priemones ir visuomet užsidėkite apsauginius akinius.** Naudojant asmenines apsaugos priemones, pvz., respiratorių, neslystančius apsauginius batus, apsauginį šalną, ausines ir kt., priklausomai nuo elektrinio įrankio tipo ir naudojimo, mažėja rizika susižaloti.
- ▶ **Saugokitės, kad neįjungtumėte prietaiso atsitiktinai. Prieš įrankį imdami į rankas, nešdami ar dėdami į jį akumuliatorių, įsitikinkite, kad elektrinis įrankis yra išjungtas.** Jeigu nešdami elektrinį įrankį pirštą laikysite ant jungiklio arba įrankį įjungsite į elektros tinklą tuomet, kai jungiklis nėra išjungtas, gali įvykti nelaimingas atsitikimas.
- ▶ **Prieš įjungdami elektrinį įrankį, pašalinkite iš jo reguliavimo įrankius ar veržlinius raktus.** Besisukančioje prietaiso dalyje esantis įrankis ar paliktas raktas gali tapti sužalojimų priežastimi.
- ▶ **Venkite nepatogių kūno padėčių. Dirbdami stovėkite tvirtai ir visada išlaikykite kūno pusiausvyrą.** Taip galėsite geriau kontroliuoti elektrinį įrankį netikėtose situacijose.
- ▶ **Vilkėkite tinkamą aprangą. Nevilkėkite plačių drabužių, nesidėkite papuošalų. Saugokite plaukus, drabužius ir pirštines nuo besisukančių prietaiso dalių.** Laisvus drabužius, papuošalus ir ilgus plaukus gali įtraukti besisukančios prietaiso dalys.
- ▶ **Jeį yra numatyta galimybė prijungti dulkių nusiurbimo ar surinkimo įrenginius, visada įsitikinkite, kad jie yra prijungti ir tinkamai naudojami.** Naudojant dulkių nusiurbimo įrenginį, gali sumažėti dulkių keliama grėsmė.

Elektrinio įrankio naudojimas ir elgesys su juo

- ▶ **Prietaiso neperkraukite. Naudokite Jūsų darbui tinkamą elektrinį įrankį.** Su tinkamu elektriniu įrankiu dirbsite geriau ir saugiau, jei neviršysite nurodytos galios.
- ▶ **Nenaudokite elektrinio įrankio su sugedusiu jungikliu.** Elektrinis įrankis, kurio nebegalima įjungti ar išjungti, yra pavojingas ir jį reikia remontuoti.
- ▶ **Prieš atlikdami prietaiso nustatymus, keisdami reikmenis ar padėdami prietaisą į šalį, iš jo išimkite akumuliatorių.** Ši atsargumo priemonė leis išvengti netikėto elektrinio įrankio įsijungimo.
- ▶ **Nenaudojamus elektrinius įrankius saugokite vaikams nepasiekiamoje vietoje. Neleiskite prietaisu naudotis asmenims, kurie nėra su juo susipažinę arba nėra perskaitę šios instrukcijos.** Elektriniai įrankiai yra pavojingi, kai juos naudoja patirties neturintys asmenys.
- ▶ **Elektrinius įrankius rūpestingai prižiūrėkite. Tikrinkite, ar judančios elektrinio įrankio dalys tinkamai funkcionuoja ir niekur nekliūva, ar nėra sulūžusių ir pažeistų dalių, kurios blogintų įrankio veikimą. Prieš naudojimą pažeistos prietaiso dalys turi būti suremontuotos.** Blogai prižiūrimi elektriniai įrankiai yra daugelio nelaimingų atsitikimų priežastis.
- ▶ **Pjovimo įrankiai visuomet turi būti aštrūs ir švarūs.** Rūpestingai prižiūrint pjovimo įrankiai su aštriomis pjovimo briaunomis mažiau stringa ir yra lengviau valdomi.
- ▶ **Elektrinį įrankį, reikmenis, keičiamuosius įrankius ir t. t. naudokite pagal šias instrukcijas. Taip pat atsižvelkite į darbo sąlygas ir atliekamo darbo pobūdį.** Elektrinius įrankius naudojant ne pagal paskirtį, gali kilti pavojingos situacijos.

Akumuliatorinio įrankio naudojimas ir elgesys su juo

- ▶ **Akumuliatoriams įkrauti naudokite tik tuos kroviklius, kuriuos rekomenduoja gamintojas.** Kroviklij, tinkantį tik nurodytiems akumuliatorių tipams, naudojant kitiems akumuliatoriams įkrauti, kyla gaisro pavojus.
- ▶ **Elektriniuose įrankiuose naudokite tik konkrečiai jiems skirtus akumuliatorius.** Naudojant kitokius akumuliatorius, kyla pavojus susižaloti ir sukelti gaisrą.
- ▶ **Nenaudojamo akumuliatoriaus nelaikykite šalia sąvaržėlių, monetų, raktų, vinių, varžtų ar kitokių smulkių metalinių daiktų, kurie galėtų trumpai sujungti akumuliatoriaus kontaktus.** Trumpai sujungus akumuliatoriaus kontaktus, yra pavojus nusidėginti ar sukelti gaisrą.



- ▶ **Akumuliatorių naudojant netinkamai, iš jo gali ištekėti skystis. Venkite kontakto su šiuo skysčiu.** Akumuliatoriaus skystis gali sudirginti arba chemiškai nudeginti odą. Jei skysčio atsitiktinai pateko ant odos, nuplaukite jį vandeniu. Jei pateko į akis – gerai praplaukite jas vandeniu ir nedelsdami kreipkitės į gydytoją.

Techninė priežiūra

- ▶ **Savo elektrinį įrankį patikėkite remontuoti tik kvalifikuotam specialistui, tam jis turi naudoti tik originalias atsargines dalis.** Taip galima užtikrinti, kad bus išlaikytas elektrinio įrankio naudojimo saugumas.

2.2 Papildomi saugos nurodymai dirbantiems su perforatoriumi

Žmonių sauga

- ▶ Prietaisą ir priedus naudokite tik tada, kai jie yra techniškai tvarkingi.
- ▶ Prietaisą ir priedus draudžiama keisti ar atlikti kitokius jų pakeitimus.
- ▶ Naudokite prietaiso komplekte esančias papildomas rankenas. Prietaisui tapus nebevaldomam, galite susižaloti.
- ▶ Atlikdami sienų ar grindų pragręžimo ar prakirtimo darbus, apsaugokite kitoje pusėje esančią zoną. Medžiagos skeveldros gali iškristi ir / arba nukristi ir sužaloti kitus žmones.
- ▶ Prietaisą visada laikykite tvirtai, abiem rankomis paėmę už tam skirtų rankenų. Rankenos visada turi būti sausas ir švarios.
- ▶ Vykdydami darbus, kurių metu keičiamasis įrankis gali paliesti paslėptus elektros laidus, prietaisą laikykite paėmę už izoliuotų rankenų paviršių. Dėl kontakto su laidais, kuriais teka elektros srovė, metalinėse prietaiso dalyse taip pat gali atsirasti įtampa, todėl kyla elektros smūgio pavojus.
- ▶ Venkite liesti besisukančias prietaiso dalis – susižalojimo pavojus!
- ▶ Dirbdami su prietaisu, dėvėkite apsauginius akinius, apsauginį šalną, klausos apsaugos priemonę ir tinkamą kvėpavimo takų apsaugos priemonę.
- ▶ Keisdami įrankį, mūvėkite apsaugines pirštines. Liesdami keičiamąjį įrankį, galite susipiaustyti ir nusiudeginti rankas.
- ▶ Dirbdami užsidėkite akių apsaugos priemonę. Medžiagų skeveldros gali sužaloti odą ir akis.
- ▶ Šlifuojant, pjaustant ir gręžiant kylančiose dulkėse gali būti pavojingų cheminių medžiagų. Štai keli pavyzdžiai: švinas ar dažai švino pagrindu, plytos, betonas ir kiti mūro statiniai, natūralus akmuo ir kiti gaminiai, kurių sudėtyje yra silikato, tam tikra mediena, ažuolas, bukas ir chemiškai apdorota mediena, asbestas arba medžiagos, kurių sudėtyje yra asbesto. Naudojamiesi medžiagų, su kuriomis dirbama, pavojingumo klase, nustatykite poveikį dirbančiajam ir aplink esantiems asmenims. Įmkitės būtinų priemonių, užtikrinančių, kad poveikis liktų saugiame lygmenyje, pvz., naudokite dulkių surinkimo sistemą arba dėvėkite tinkamas kvėpavimo apsaugos priemones. Prie bendrųjų priemonių, skirtų poveikiui sumažinti, priskiriama:
 - ▶ darbas gerai vėdinamoje srityje,
 - ▶ ilgesnio kontakto su dulkelėmis vengimas,
 - ▶ dulkių nuvedimas nuo veido ir kūno,
 - ▶ apsauginių drabužių dėvėjimas ir užterštų vietų nuplovimas vandeniu ir muilu.
- ▶ Dažnai darykite pertraukas ir pratimus, užtikrinančius geresnę Jūsų pirštų kraujotaką. Dirbant ilgesnį laiką, vibracijos gali sukelti pirštų, plaštakos ar riešo sąnario kraujagyslių ar nervų sistemos pažeidimus.

Apsauga nuo elektros

- ▶ Prieš pradėdami dirbti patikrinkite, ar darbo zonoje nėra paslėptų elektros laidų, dujų ar vandentiekio vamzdžių. Netyčia pažeidus elektros kabelį, dujų ar vandens vamzdį, išorinėse metalinėse prietaiso dalyse taip pat gali atsirasti įtampa, kelianti elektros smūgio pavojų, arba gali iškilti sprogo pavojus.

Atsargus elektrinių įrankių naudojimas ir elgesys su jais

- ▶ Keičiamajam įrankiui užsiblokvus, prietaisą nedelsdami išjunkite. Prietaisas gali pakrypti į šoną.
- ▶ Prieš padėdami prietaisą palaukite, kol jis visiškai sustos.

2.3 Su akumuliatoriais elgtis atsargiai

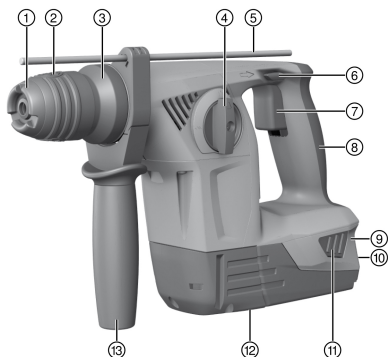
- ▶ Laikykites ličio jonų akumuliatorių specialiujų transportavimo, sandėliavimo ir naudojimo direktyvų.
- ▶ Akumuliatorius saugokite nuo aukštos temperatūros, tiesioginių saulės spindulių ir ugnies.
- ▶ Akumuliatorius draudžiama ardyti, spausti, kaitinti iki aukštesnės kaip 80 °C (176 °F) temperatūros arba deginti.
- ▶ Nenaudokite ir neįkraukite akumuliatorių, kurie buvo patyrę smūgį, kritę iš didesnio kaip vieno metro aukščio ar yra pažeisti kitokiu būdu. Tokiu atveju visada kreipkitės į savo **Hilti techninės priežiūros centrą**.



- Jeigu į rankas paimtas akumuliatorius atrodo karštas, jis gali būti sugedęs. Padėkite akumuliatorių matomoje, nedegioje vietoje pakankamu atstumu nuo degių medžiagų. Leiskite akumuliatoriui atvėsti. Jei akumuliatorius po valandos vis dar yra per karštas paimti į rankas, jis yra sugedęs. Susisiekite su **Hilti techninės priežiūros centru**.

3 Aprašymas

3.1 Prietaiso konstrukciniai, valdymo ir indikacijos elementai



- ① Nuo dulkių saugantis gaubtelis
- ② Įrankio griebtuvas
- ③ Įrankio atfiksavimas
- ④ Funkcijos pasirinkimo jungiklis
- ⑤ Gylio ribotuvas
- ⑥ Dešinės / kairinės eigos perjungiklis su įjungimo blokatoriumi
- ⑦ Valdymo jungiklis
- ⑧ Rankena
- ⑨ Akumuliatorius
- ⑩ Įkrovos lygio ir sutrikimų indikatorius (Li-Ion akumuliatoriaus)
- ⑪ Akumuliatoriaus atblokavimo mygtukai
- ⑫ Jungtis dulkių modulii TE DRS-4-A(01)
- ⑬ Šoninė rankena

3.2 Naudojimas pagal paskirtį

Aprašytasis prietaisas yra akumuliatorinis perforatorius. Jis yra skirtas plienui, medienai ir mūriui gręžti, betonui ir mūriui gręžti smūginiu būdu, taip pat varžtams įsukti ir atsukti.

- Su šiuo prietaisu naudokite tik B 22 serijos **Hilti** ličio jonų akumuliatorius.
- Šiems akumuliatoriams naudokite tik **Hilti** leidžiamus naudoti kroviklius. Daugiau informacijos rasite vietinėje **Hilti Store** arba tinklalapyje **www.hilti.group**.

3.3 Ličio jonų akumuliatoriaus indikatorius

Dirbant ličio jonų akumuliatoriaus įkrovos lygį galima pasižiūrėti paspaudus vieną iš atblokavimo mygtukų.

Būsena	Reikšmė
Šviečia 4 diodai.	Įkrovos lygis: nuo 75 iki 100 %
Šviečia 3 diodai.	Įkrovos lygis: nuo 50 iki 75 %
Šviečia 2 diodai.	Įkrovos lygis: nuo 25 iki 50 %
Šviečia 1 diodas.	Įkrovos lygis: nuo 10 iki 25 %
1 šviesos diodas mirksi.	Įkrovos lygis: < 10 %

Dirbant ir iškart po darbo įkrovos lygio įvertinti negalima. Mirksint akumuliatoriaus įkrovos lygio indikatorius šviesos diodams, laikykitės skyriuje „Sutrikimų paieška“ pateiktų nurodymų.



3.4 Tiekiamas komplektas

Perforatorius, šoninė rankena, gylio ribotuvas, naudojimo instrukcija.

Dulkių modulis TE DRS-4-A (01) siūlomas kaip priedas darbams, kurių metu susidaro mažai dulkių.

Daugiau Jūsų turimam prietaisui skirtų sisteminių reikmenų rasite vietinėje **Hilti Store** arba tinklalapyje www.hilti.group

4 Techniniai duomenys

4.1 Perforatorius

	TE 4-A22
Svoris pagal EPTA Procedure 01 su akumulatoriumi B22/8.0	3,9 kg
Smūgio energija pagal EPTA-Procedure 05/2009	2 J
Betone / mūre gręžiamų skylių skersmuo (smūginis gręžimas)	4 mm ... 28 mm
Medioje gręžiamų skylių skersmuo (išstinis grąžtas)	3 mm ... 20 mm
Metale gręžiamų skylių skersmuo (išstinis grąžtas)	3 mm ... 10 mm

4.2 Informacija apie triukšmą ir vibracijos reikšmės

Šiuose nurodymuose pateiktos garso slėgio ir vibracijos reikšmės yra išmatuotos taikant standartizuotą matavimo metodą ir gali būti naudojamos elektriniams įrankiams palyginti tarpusavyje. Jos taip pat tinka šių veiksmų poveikiui iš anksto įvertinti. Nurodytieji duomenys yra susieti su pagrindinėmis šio elektrinio įrankio naudojimo sritimis. Jeigu elektrinis įrankis bus naudojamas kitaip, su skirtingais keičiamaisiais įrankiais arba bus nepakankamai techniškai prižiūrimas, šie duomenys gali skirtis nuo nurodytųjų. Tai gali gerokai padidinti šių veiksmų poveikį per visą darbo laikotarpį. Norint tiksliai įvertinti poveikį, reiktų įvertinti ir laiką, kai prietaisas yra išjungtas, arba, nors ir įjungtas, juo faktiškai nedirbama. Toks įvertinimas gali smarkiai sumažinti poveikio per visą darbo laikotarpį reikšmę. Imkitės papildomų saugos priemonių, kad darbuotojas būtų apsaugotas nuo triukšmo ir / arba vibracijos poveikio, pavyzdžiui, reikalaukite tinkamos elektrinio įrankio ir keičiamųjų įrankių techninės priežiūros, pasirūpinkite, kad darbuotojų rankos visada būtų šiltos, užtikrinkite tinkamą darbo organizavimą.

Skleidžiamo triukšmo lygis išmatuotas pagal EN 60745

Garso stiprumo lygis (L_{WA})	99 dB(A)
Garso galios lygio paklaida (K_{WA})	3 dB(A)
Skleidžiamo garso slėgio lygis (L_{pA})	88 dB(A)
Garso slėgio lygio paklaida (K_{pA})	3 dB(A)

Suminės vibracijų reikšmės nustatytos pagal EN 60745

Betono smūginis gręžimas ($a_{n, HD}$)	11 m/s ²
Paklaida (K)	1,5 m/s ²

4.3 Akumulatorius

Akumulatoriaus darbinė įtampa	21,6 V
Darbinė aplinkos temperatūra	-17 °C ... 60 °C
Laikymo temperatūra	-20 °C ... 40 °C
Akumulatoriaus temperatūra, kai pradeda įkrauti	-10 °C ... 45 °C

5 Naudojimas

5.1 Pasiruošimas darbui

ĮSPĖJIMAS

Sužalojimo pavojus dėl atsitiktinio paleidimo!

- ▶ Prieš įdėdami akumuliatorių, įsitikinkite, kad atitinkamas prietaisas yra išjungtas.
- ▶ Prieš nustatydami prietaisą ar keisdami reikmenis, išimkite akumuliatorių.



Laikykitės šioje instrukcijoje ir ant prietaiso pateiktų saugos nurodymų ir įspėjimų.

5.1.1 Šoninės rankenos montavimas 2

1. Sukdami rankeną, atlaisvinkite šoninės rankenos laikiklį (užspaudimo juosta).
2. Laikiklį (užspaudimo juosta) virš įrankio griebtuvo iš priekio stumkite pirmyn iki jam skirto griovelio.
3. Šoninę rankeną nustatykite į norimą padėtį.
4. Sukdami rankeną, šoninės rankenos laikiklį (užspaudimo juosta) priveržkite.

5.1.2 Akumulatoriaus įdėjimas 3

1. Akumuliatorių dėkite į prietaise esantį laikiklį, kol girdimai užsifikuos.
2. Patikrinkite, ar akumulatorius gerai užfiksutas prietaise.

5.1.3 Akumulatoriaus išėmimas 4

1. Spauskite akumulatoriaus atblokovimo mygtukus.
2. Akumuliatorių išimkite traukdami atgal.

5.1.4 Keičiamojo įrankio įdėjimas 5

1. Keičiamojo įrankio kotą šiek tiek patepkite tirštuoju tepalu.
 - ▶ Naudokite tik originalų „Hilti“ tirštąjį tepalą. Netinkamas tepalas gali prietaisui padaryti žalos.
2. Keičiamąjį įrankį įstatykite į įrankio griebtuvą, kol atsirems, ir leiskite užsifikuoti.
3. Patraukę už įstatyto įrankio patikrinkite, ar jis gerai užsifiksavo.
 - ▶ Prietaisas yra parengtas naudoti.

5.1.5 Keičiamojo įrankio išėmimas 3

ATSARGIAI

Sužalojimo pavojus dėl keičiamojo įrankio! Keičiamasis įrankis gali būti karštas arba turėti aštrias briaunas.

- ▶ Keisdami keičiamąjį įrankį, mūvėkite apsaugines pirštines.

- ▶ Įrankio fiksatorių traukite atgal, kol atsirems, ir keičiamąjį įrankį išimkite.

5.1.6 Gylio ribotuvo (užsakomas papildomai) montavimas 7

1. Sukdami rankeną, atlaisvinkite šoninės rankenos laikiklį (užspaudimo juosta).
2. Gylio ribotuvą iš priekio įkiškite į jam skirtas 2 kreipiančiąsias skylės.
3. Sukdami rankeną, šoninės rankenos laikiklį (užspaudimo juosta) priveržkite.

5.2 Darbas

DĖMESIO

Galima žala dėl netinkamo naudojimo!

- ▶ Tuo metu, kai įrankis veikia, sukimosi krypties ir / arba funkcijos pasirinkimo jungiklių nejudinkite!

Laikykitės šioje instrukcijoje ir ant prietaiso pateiktų saugos nurodymų ir įspėjimų.

5.2.1 Sukimosi kryptis

- ▶ Nustatykite sukimosi kryptį.
 - ▶ Jungiklis užsifiksuoja šioje padėtyje.

5.2.2 Gręžimas be smūgiavimo 3

- ▶ Funkcijos pasirinkimo jungiklį nustatykite ties šiuo simboliu:

5.2.3 Gręžimas su smūgiavimu 3

- ▶ Funkcijos pasirinkimo jungiklį nustatykite ties šiuo simboliu:



6 Priežiūra ir einamasis remontas

6.1 Priežiūra ir einamasis remontas

ĮSPĖJIMAS

Sužalojimo pavojus kai įstatytas akumulatorius !

- ▶ Prieš pradėdami bet kokius techninės priežiūros ir einamojo remonto darbus, akumuliatorių iš prietaiso išimkite!

Prietaiso priežiūra

- Atsargiai pašalinkite prilipusius nešvarumus.
- Jei yra, vėdinimo plyšius atsargiai išvalykite sausu, minkštu šepetėliu.
- Korpusą valykite šiek tiek sudrėkinta šluoste. Nenaudokite priemonių, kurių sudėtyje yra silikono, nes jos gali pakenkti plastikinėms detalėms.
- Naudokite švarią, sausą šluostę prietaiso kontaktams valyti.

Ličio jonų akumuliatorių priežiūra

- Niekada nenaudokite akumulatoriaus, jei jo vėdinimo plyšiai yra užsikimšę. Vėdinimo plyšius atsargiai išvalykite sausu, minkštu šepetėliu.
- Saugokite akumuliatorių nuo bereikalingo dulkių ir nešvarumų poveikio. Saugokite akumuliatorių nuo didelės drėgmės (pvz., nepanardinkite į vandenį ir nepalikite stovėti lietuje).
Jei akumulatorius peršlapo, elkitės su juo kaip su pažeistu akumuliatoriumi. Izoliuokite jį nedegiamame konteineryje ir kreipkitės į **Hilti** techninės priežiūros centrą.
- Saugokite akumuliatorių nuo pašalinės alyvos ir tepalo. Saugokite, kad ant akumulatoriaus nenusėtų dulkių ir nešvarumų. Akumuliatorių valykite sausu, minkštu šepetėliu arba švaria, sausa šluoste. Nenaudokite priemonių, kurių sudėtyje yra silikono, nes jos gali pakenkti plastikinėms detalėms.
Nelieskite akumulatoriaus kontaktų ir nepašalinkite nuo kontaktų gamykloje užtepto tepalo.
- Korpusą valykite šiek tiek sudrėkinta šluoste. Nenaudokite priemonių, kurių sudėtyje yra silikono, nes jos gali pakenkti plastikinėms detalėms.

Einamasis remontas

- Reguliariai tikrinkite, ar matomos dalys nėra pažeistos ir ar valdymo elementai veikia neprikaištingai.
- Nenaudokite pažeisto ir / arba turinčio veikimo sutrikimų prietaiso. Prietaisą nedelsdami pristatykite remontuoti į **Hilti** techninės priežiūros centrą.
- Baigę techninės priežiūros ir einamojo remonto darbus, sumontuokite visus apsauginius įtaisus ir patikrinkite jų veikimą.



Kad eksploatacija būtų patikima, naudokite tik originalias atsargines dalis ir eksploatacines medžiagas. **Hilti** aprobuotas atsargines dalis, eksploatacines medžiagas ir reikmenis savo prietaisui rasite vietinėje **Hilti Store** arba tinklalapyje www.hilti.group

6.2 Nuo dulkių saugančio gaubtelio valymas

- ▶ Įrankio griebtuve esantį nuo dulkių saugantį gaubtelį reguliariai valykite švaria sausa šluoste.
- ▶ Sandarinimo briaunelę atsargiai nuvalykite ir vėl šiek tiek patepkite **Hilti** tirstuoju tepalu.
- ▶ Jei sandarinimo briaunelė pažeista, būtinai pakeiskite nuo dulkių saugantį gaubtelį.

7 Transportavimas ir sandėliavimas

7.1 Akumuliatorių įrankių ir akumuliatorių transportavimas ir sandėliavimas

Transportavimas

ATSARGIAI

Atsitiktinis įjungimas transportuojant !

- ▶ Savo prietaisus visada transportuokite tik išėmę akumulatorius!
- ▶ Išimkite akumuliatorių/akumulatorius.
- ▶ Akumuliatorių niekada netransportuokite sumetę į krūvą su kitais daiktai. Transportuojamus akumuliatorių būtina saugoti nuo stiprių smūgių ir vibracijos, taip pat izoliuoti nuo bet kokių elektrai laidžių medžiagų ir kitų akumuliatorių, kad jie nesiliestų su kitų akumuliatorių poliais ir nesukeltų trumpojo jungimo. **Laikykitės eksploataavimo vietoje galiojančių akumuliatorių transportavimo direktyvų.**



- ▶ Akumulatorius draudžiama siųsti paštu. Jei norite siųsti nepažeistus akumulatorius, kreipkitės į pervedimų įmonę.
- ▶ Prieš kiekvieną naudojimą ir po ilgesnio transportavimo patikrinkite, ar prietaisas ir akumulatoriai nepažeisti.

Sandėliavimas

ĮSPĖJIMAS

Atsitiktinis pažeidimas dėl sugedusių ar išsiliejusių akumuliatorių !

- ▶ Savo prietaisus visada laikykite tik išmėg akumulatorius!
-
- ▶ Prietaisas ir akumuliatorių laikykite vėsioje ir sausoje vietoje. Atkreipkite dėmesį į ribines temperatūros vertes, nurodytas skyriuje "Techniniai duomenys".
 - ▶ Akumuliatoriaus nelaikykite ant kroviklio. Akumuliatorių visada nuimkite nuo kroviklio po įkrovimo proceso.
 - ▶ Nelaikykite akumuliatoriaus saulėje, ant šilumos šaltinių ar už lango stiklo.
 - ▶ Prietaisą ir akumulatorius laikykite vaikams bei neįgaliesiems asmenims neprieinamoje vietoje.
 - ▶ Prieš kiekvieną naudojimą ir po ilgesnio sandėliavimo patikrinkite, ar prietaisas ir akumulatoriai nepažeisti.

8 Sutrikimų paieška

8.1 Pagalba sutrikus veikimui

Pasitaikius sutrikimų, kurie nėra aprašyti šioje lentelėje arba kurių negalite pašalinti patys, kreipkitės į Hilti techninės priežiūros centrą.

8.2 Perforatorius neparengtas veikti

Sutrikimas	Galima priežastis	Sprendimas
Šviesos diodai nieko nerodo.	Akumulatorius netinkamai įstatytas.	▶ Akumuliatorių užfiksukite: turi pasigirsti dvigubas spragtelėjimas.
	Akumulatorius išsikrovęs.	▶ Akumuliatorių pakeiskite, o išsikrovusį – įkraukite.
1 šviesos diodas mirksi.	Akumulatorius išsikrovęs.	▶ Akumuliatorių pakeiskite, o išsikrovusį – įkraukite.
	Akumulatorius per karštas arba per šaltas.	▶ Akumuliatorių atvėsinkite arba pašildykite iki rekomenduojamos darbinės temperatūros.
Mirksi 4 šviesos diodai.	Perforatorius trumpam perkrautas.	▶ Valdymo jungiklį atleiskite ir vėl paspauskite.

8.3 Perforatorius yra parengtas veikti

Sutrikimas	Galima priežastis	Sprendimas
Prietaisas nesmūgiuoja.	Perforatorius per šaltas.	▶ Perforatorių padėkite ant grindų ir leiskite veikti tuščiaja eiga. Jeigu reikia, pakartokite, kol smūginis mechanizmas pradės veikti.
	Funkcijos pasirinkimo jungiklis yra padėtyje „Grėžimas be smūgiavimo“	▶ Funkcijos pasirinkimo jungiklį nustatykite į padėtį „Smūginis grėžimas“
	Įjungta perforatoriaus kairinė eiga.	▶ Dešininės / kairinės eigos perjungiklį nustatykite į dešininio sukimosi padėtį.
Valdymo jungiklio negalima paspausti arba jis yra užblokuotas.	Dešininės / kairinės eigos perjungiklis yra vidurinėje padėtyje.	▶ Dešininės / kairinės eigos perjungiklį pastumkite į kairę arba į dešinę.




Sutrikimas	Galima priežastis	Sprendimas
Prietaiso velenas nesisuka.	Viršyta perforatoriaus elektroninės sistemos leistina darbinė temperatūra.	▶ Leiskite perforatoriui atvėsti.
	Akumulatorius išsikrovęs.	▶ Akumuliatorių pakeiskite, o išsikrovusį – įkraukite.
Perforatorius automatiškai išsijungia.	Suveikė apsauga nuo perkrovos.	▶ Atleiskite valdymo jungiklį. Leiskite perforatoriui atvėsti. Vėl spauskite valdymo jungiklį. Sumažinkite prietaiso apkrovą.
Akumulatorius išsikrauna greičiau nei paprastai.	Labai žema aplinkos temperatūra.	▶ Leiskite akumuliatoriui lėtai sušilti iki patalpos temperatūros.
Akumulatorius neužsifiksuoja, ir nepasigirsta dvigubas spragtelėjimas.	Užterštas akumulatoriaus fiksatorius.	▶ Fiksatorių išvalykite ir akumuliatorių įdėkite iš naujo.
Perforatorius arba akumuliatorius stipriai kaista.	Elektrinės įrangos gedimas	▶ Perforatorių nedelsdami išjunkite. Akumuliatorių išimkite ir stebėkite. Leiskite jam atvėsti. Susisiekite su Hilti techninės priežiūros centru.
	Perforatorius perkrautas (viršyta leistina apkrova).	▶ Pasirinkite tinkamos galios prietaisą.
Įrankio neįmanoma ištraukti iš griebtuvo.	Įrankio griebtuvus nėra iki galo atitrauktas.	▶ Įrankio fiksatorių traukite atgal, kol atsirems, ir įrankį išimkite.
Įrankis negrežia.	Įjungta perforatoriaus kairinė eiga.	▶ Dešininės / kairinės eigos perjungiklį nustatykite į dešininio sukimosi padėtį.
	Funkcijos pasirinkimo jungiklis yra padėtyje „Grežimas be smūgiavimo“  .	▶ Funkcijos pasirinkimo jungiklį nustatykite į padėtį „Smūginis grežimas“  .

9 Utilizavimas

ĮSPĖJIMAS

Sužalojimo pavojus dėl netinkamo utilizavimo! Išsėjančios dujos ir ištekantis skystis kelia pavojų sveikatai.

- ▶ Pažeistų akumuliatorių nesiųskite paštu ir nepervežkite!
- ▶ Kad būtų išvengta trumpojo jungimo, jungtis uždenkite elektrai nelaidžia medžiaga.
- ▶ Akumuliatorius utilizuokite taip, kad jie negalėtų patekti į vaikų rankas.
- ▶ Akumuliatorių pristatykite utilizuoti į savo **Hilti Store** arba kreipkitės į vietinę kompetentingą utilizavimo įmonę.

 Didelė **Hilti** prietaisų dalis yra pagaminta iš medžiagų, kurias galima perdirbti. Būtina antrinio perdirbimo sąlyga yra tinkamas medžiagų išrūšiavimas. Daugelyje šalių **Hilti** priims Jūsų nebe naudojamą prietaisą perdirbti. Apie tai galite pasiteirauti artimiausiam **Hilti** techninės priežiūros centre arba savo prekybos konsultanto.



- ▶ Elektrinių įrankių, elektroninių prietaisų ir akumuliatorių neišmeskite į buitinius šiukšlynus!

10 RoHS (direktyva dėl pavojingų medžiagų naudojimo ribojimo)

Pavojingų medžiagų lentelę rasite spausdami šią nuorodą: qr.hilti.com/r/3159232.

Nuorodą į RoHS lentelę rasite kaip QR kodą šios instrukcijos gale.

11 Gamintojo teikiama garantija

- ▶ Kilus klausimų dėl garantijos sąlygų, kreipkitės į vietinį **Hilti** partnerį.



Перевод оригинального руководства по эксплуатации

1 Указания к документации

1.1 Об этом документе



Импортер и уполномоченная изготовителем организация

- (RU) Российская Федерация
АО "Хилти Дистрибьюшн ЛТД", 141402, Московская область, г. Химки, ул. Ленинградская, стр. 25
- (BY) Республика Беларусь
222750, Минская область, Дзержинский район, Р-1, 18-й км, 2 (около д. Слободка), помещение 1-34
- (KZ) Республика Казахстан
Республика Казахстан, индекс 050057, г. Алматы, ул. Тимирязева 42, павильон 15-9
Қазақстан Республикасы, 050057, Алматы қ., Тимирязев кешесі, 15-9 павильоны
- (AM) Республика Армения
ООО Эйч-Кон, Республика Армения, г. Ереван, ул. Бабабяна 10/1

Страна производства: см. маркировочную табличку на оборудовании.

Дата производства: см. маркировочную табличку на оборудовании.

Соответствующий сертификат можно найти по адресу: www.hilti.ru

Специальных требований к условиям хранения, транспортировки и использования, кроме указанных в руководстве по эксплуатации, нет.

Срок службы изделия составляет 5 лет.

- Ознакомьтесь с этим документом перед началом работы. Это является залогом безопасной работы и бесперебойной эксплуатации.
- Соблюдайте указания по технике безопасности и предупреждающие указания, приводимые в данном документе и на изделии.
- Храните руководство по эксплуатации всегда рядом с электроинструментом и передавайте электроинструмент будущим владельцам только вместе с этим руководством.

1.2 Пояснение к знакам (условным обозначениям)

1.2.1 Предупреждающие указания

Предупреждающие указания служат для предупреждения об опасностях при обращении с машиной. Используются следующие сигнальные слова:



ОПАСНО

ОПАСНО !

- ▶ Общее обозначение непосредственной опасной ситуации, которая влечет за собой тяжелые травмы или смертельный исход.



ПРЕДУПРЕЖДЕНИЕ

ПРЕДУПРЕЖДЕНИЕ !

- ▶ Общее обозначение потенциально опасной ситуации, которая может повлечь за собой тяжелые травмы или смертельный исход.



ОСТОРОЖНО

ОСТОРОЖНО !

- ▶ Общее обозначение потенциально опасной ситуации, которая может повлечь за собой травмы или повреждение оборудования (материальный ущерб).

1.2.2 Символы, используемые в руководстве

В этом руководстве используются следующие символы:



	Перед использованием прочтите руководство по эксплуатации.
	Указания по эксплуатации и другая полезная информация
	Обращение с материалами, пригодными для вторичной переработки
	Не выбрасывайте электроустройства и аккумуляторы вместе с обычным мусором!

1.2.3 Символы на изображениях

На изображениях используются следующие символы:

	Эти цифры указывают на соответствующее изображение в начале данного руководства.
	Нумерация на изображениях отображает порядок выполнения рабочих операций и может отличаться от нумерации, используемой в тексте.
	Номера позиций используются в обзорном изображении. В обзоре изделия они указывают на номера в экспликации.
	Этот знак должен привлечь особое внимание пользователя при обращении с изделием.

1.3 Символы в зависимости от изделия

1.3.1 Символы на изделии

На изделии могут использоваться следующие символы:

	Сверление без удара
	Сверление с ударом (ударное сверление)
	Изменение направления вращения (реверс)
	Класс защиты II (двойная изоляция)
n_0	Номинальная частота вращения в режиме холостого хода
	Постоянный ток
Li-Ion	Литий-ионный аккумулятор
	Серия используемых литий-ионных аккумуляторов Hilti . Соблюдайте указания, приведенные в главе Использование по назначению .
	Никогда не используйте аккумулятор в качестве ударного инструмента.
	Не допускайте падения аккумулятора. Не используйте аккумулятор, который получил повреждения вследствие удара или каким-либо иным образом.
	Изделие поддерживает технологию NFC, совместимую с платформами iOS и Android.

1.4 Информация о шлифмашине

Шлифмашины **HILTI** предназначены для профессионального использования, поэтому они должны обслуживаться и ремонтироваться только уполномоченным и обученным персоналом. Этот персонал должен пройти специальный инструктаж по технике безопасности. Использование шлифмашины и ее оснастки не по назначению или ее эксплуатация необученным персоналом могут представлять опасность.

Типовое обозначение и серийный номер указаны на заводской табличке.



- ▶ Перепишите серийный номер в нижеприведенную табличную форму. Данные шлифмашины необходимы при обращении в наше представительство или сервисный центр.

Указания к изделию

Перфоратор	TE 4-A22
Поколение	02
Серийный номер	

1.5 Декларация соответствия нормам

Настоящим мы с полной ответственностью заявляем, что данное изделие соответствует действующим директивам и нормам. Копию декларации соответствия нормам см. в конце этого документа.

Техническая документация (оригиналы) хранится здесь:

Hilti Entwicklungsgesellschaft mbH | Zulassung Geräte | Hiltistraße 6 | 86916 Kaufering, Германия

2 Безопасность

2.1 Общие указания по технике безопасности для электроинструментов

⚠ ПРЕДУПРЕЖДЕНИЕ! Прочтите все указания по технике безопасности и инструкции. Невыполнение приведенных ниже указаний может привести к поражению электрическим током, пожару и/или вызвать тяжелые травмы.

Сохраните все указания по технике безопасности и инструкции для следующего пользователя.

Безопасность рабочего места

- ▶ Следите за чистотой и хорошей освещенностью на рабочем месте. Беспорядок на рабочем месте или плохое освещение могут привести к несчастным случаям.
- ▶ Не используйте электроинструмент во взрывоопасной зоне, где имеются горючие жидкости, газы или пыль. При работе электроинструмент искрит, и искры могут воспламенить пыль или пары/газы.
- ▶ Не разрешайте детям и посторонним приближаться к работающему электроинструменту. Отвлекаясь от работы, можно потерять контроль над электроинструментом.

Электрическая безопасность

- ▶ Избегайте касания частями тела заземленных поверхностей труб, батарей центрального отопления, газовых/электрических плит и холодильников. При контакте с заземленными предметами возникает повышенный риск поражения электрическим током.
- ▶ Предохраняйте электроинструменты от дождя или воздействия влаги. В результате попадания воды в электроинструмент возрастает риск поражения электрическим током.

Безопасность персонала

- ▶ Будьте внимательны, следите за своими действиями и серьезно относитесь к работе с электроинструментом. Не пользуйтесь электроинструментом, если вы устали или находитесь под действием наркотиков, алкоголя или медикаментов. Незначительная ошибка при невнимательной работе с электроинструментом может стать причиной серьезного травмирования.
- ▶ Используйте средства индивидуальной защиты и всегда надевайте защитные очки. Использование средств индивидуальной защиты, например, респиратора, защитной обуви на нескользящей подошве, защитной каски или защитных наушников, в зависимости от вида и условий эксплуатации электроинструмента, снижает риск травмирования.
- ▶ Избегайте непреднамеренного включения электроинструмента. Убедитесь в том, что электроинструмент выключен, прежде чем вставить аккумулятор, поднимать или переносить электроинструмент. Ситуации, когда при переноске электроинструмента пальцы находятся на выключателе или когда электроинструмент запитывается во включенном положении, могут привести к несчастным случаям.
- ▶ Перед включением электроинструмента удалите регулировочные приспособления или гаечные ключи. Рабочий инструмент или гаечный ключ, находящийся во вращающейся части электроинструмента, может стать причиной получения травм.
- ▶ Старайтесь избегать неестественных поз при работе. Постоянно сохраняйте устойчивое положение и равновесие. Это позволит лучше контролировать электроинструмент в непредвиденных ситуациях.
- ▶ Носите спецодежду. Не надевайте очень свободную одежду или украшения. Оберегайте волосы, одежду и защитные перчатки от вращающихся узлов электроинструмента. Свободная одежда, украшения и длинные волосы могут быть захвачены ими.



- ▶ Если предусмотрено подсоединение устройств для удаления и сбора пыли, убедитесь в том, что они подсоединены и используются по назначению. Использование пылеудаляющего аппарата снижает вредное воздействие пыли.

Использование и обслуживание электроинструмента

- ▶ Не допускайте перегрузки электроинструмента. Используйте электроинструмент, предназначенный именно для данной работы. Соблюдение этого правила обеспечит более высокое качество и безопасность работы в указанном диапазоне мощности.
- ▶ Не используйте электроинструмент с неисправным выключателем. Электроинструмент, включение или выключение которого затруднено, представляет опасность и должен быть отремонтирован.
- ▶ Прежде чем приступить к регулировке устройства, замене принадлежностей или прежде чем убрать устройство на хранение извлекайте из него аккумулятор. Данная мера предосторожности позволит предотвратить непреднамеренное включение электроинструмента.
- ▶ Храните неиспользуемые электроинструменты в местах, недоступных для детей. Не позволяйте использовать устройство лицам, которые не ознакомлены с ним или не читали данных инструкций. Электроинструменты представляют собой опасность в руках неопытных пользователей.
- ▶ Тщательно ухаживайте за электроинструментами. Проверяйте безупречное функционирование подвижных деталей/частей, легкость их хода, целостность и отсутствие повреждений, которые могли бы отрицательно повлиять на работу электроинструмента. Сдавайте поврежденные части устройства в ремонт до его использования. Причиной многих несчастных случаев является несоблюдение правил технического обслуживания электроинструментов.
- ▶ Необходимо следить за тем, чтобы режущие инструменты были острыми и чистыми. Заклинивание содержащихся в надлежащем состоянии режущих инструментов происходит реже, ими легче управлять.
- ▶ Применяйте электроинструмент, принадлежности, рабочие инструменты и т. д. согласно приведенным указаниям. Учитывайте при этом рабочие условия и характер выполняемой работы. Использование электроинструментов не по назначению может привести к опасным ситуациям.

Использование и обслуживание аккумуляторного инструмента

- ▶ Заряжайте аккумуляторы только с помощью зарядных устройств, рекомендованных изготовителем. При использовании зарядного устройства для зарядки несоответствующих ему типов аккумуляторов существует опасность возгорания.
- ▶ Используйте только оригинальные аккумуляторы, рекомендованные специально для этого электроинструмента. Использование других аккумуляторов может привести к травмам и опасности возгорания.
- ▶ Неиспользуемые аккумуляторы храните вдали от скрепок, монет, ключей, гвоздей, шурупов или других мелких металлических предметов, которые могут стать причиной замыкания контактов. Замыкание контактов аккумулятора может привести к ожогам или возгоранию.
- ▶ При неверном обращении с аккумулятором из него может вытечь электролит. Избегайте контакта с ним. Вытекший из аккумулятора электролит может привести к раздражению кожи или ожогам. При случайном контакте смойте водой. При попадании электролита в глаза дополнительно обратитесь за помощью к врачу.

Сервис

- ▶ Доверяйте ремонт своего электроинструмента только квалифицированному персоналу, использующему только оригинальные запчасти. Этим обеспечивается поддержание электроинструмента в безопасном и исправном состоянии.

2.2 Дополнительные указания по технике безопасности при работе с перфоратором

Безопасность персонала

- ▶ Используйте электроинструмент и его принадлежности только в технически исправном состоянии.
- ▶ Внесение изменений в конструкцию электроинструмента/принадлежностей или его/их модификация категорически запрещаются.
- ▶ Используйте дополнительные рукоятки, входящие в комплект электроинструмента. Потеря контроля над электроинструментом может привести к травмам.
- ▶ При изготовлении сквозных проемов ограждайте опасную зону с противоположной стороны стены. Вылетающие наружу и/или падающие вниз осколки могут травмировать других людей.
- ▶ Всегда надежно удерживайте электроинструмент обеими руками за предусмотренные для этого рукоятки. Следите за тем, чтобы рукоятки были сухими и чистыми.



- ▶ При опасности повреждения рабочим инструментом скрытой электропроводки держите электроинструмент за изолированные поверхности для хвата. При контакте с токопроводящей линией металлические части электроинструмента также находятся под напряжением, что может привести к удару электрическим током.
- ▶ Не прикасайтесь к вращающимся деталям/узлам электроинструмента — опасность травмирования!
- ▶ При выполнении работ с электроинструментом надевайте защитные очки, защитную каску, защитные наушники и подходящие респираторы.
- ▶ При замене рабочего инструмента надевайте защитные перчатки. Соблюдайте осторожность при замене рабочего инструмента — контакт с ним может привести к порезам и ожогам.
- ▶ Пользуйтесь защитными очками. Осколки материала могут травмировать тело и глаза.
- ▶ Пыль, возникающая при шлифовании, абразивной обработке, резке и сверлении, может содержать опасные химические вещества. Несколько примеров материалов, содержащих опасные вещества: свинец или краски на свинцовой основе; кирпич, бетон и другие материалы для кладки, природный камень и другие силикатсодержащие изделия; определенные виды древесины, такие как дуб, бук и химически обработанная древесина; асбест или материалы, содержащие асбест. Определите степень воздействия на оператора и окружающих лиц по классу опасности обрабатываемых материалов. Примите необходимые меры для обеспечения безопасного уровня воздействия, например, путем использования подходящих систем пылеудаления или ношения подходящих средств защиты органов дыхания. Общие меры по снижению опасного воздействия:
 - ▶ Работайте в хорошо проветриваемом помещении.
 - ▶ Избегайте длительного контакта с пылью.
 - ▶ Удаляйте пыль с лица и тела.
 - ▶ Носите защитную одежду и промывайте открытые участки, подверженные воздействию, водой с мылом.
- ▶ Чтобы во время работы руки не затекали, время от времени делайте перерывы и упражнения для расслабления и разминки пальцев. Возникающие при длительной работе вибрации могут привести к нарушениям кровоснабжения сосудов или в нервных окончаниях пальцев/кистей рук или в запястьях.

Электрическая безопасность

- ▶ Перед началом работы проверяйте рабочую зону на наличие скрытой электропроводки, газо- и водопроводных труб. Открытые металлические части электроинструмента могут стать проводниками электрического тока или привести к взрыву, если случайно задеть (повредить) электропроводку, газо- или водопровод.

Бережное обращение с электроинструментами и их правильная эксплуатация

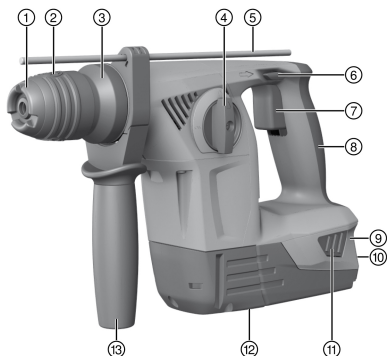
- ▶ Немедленно выключайте электроинструмент в случае блокировки рабочего инструмента. Электроинструмент может увлечь в сторону.
- ▶ Дождитесь полной остановки электроинструмента, прежде чем убирать его в сторону.

2.3 Аккуратное обращение с аккумуляторами и их правильное использование

- ▶ Соблюдайте специальные предписания по транспортировке, хранению и эксплуатации литий-ионных аккумуляторов.
- ▶ Храните аккумуляторы на безопасном расстоянии от источников высокой температуры/огня и не подвергайте их прямому воздействию солнечного излучения.
- ▶ Запрещается разбирать, сдавливать, нагревать до температуры свыше 80 °C или сжигать аккумуляторы.
- ▶ Не используйте или не заряжайте аккумуляторы, которые подвергались ударам, падали с высоты более одного метра или получали какие-либо иные повреждения. При возникновении такой ситуации всегда обращайтесь в ближайший **сервисный центр Hilti**.
- ▶ Слишком сильный нагрев аккумулятора (такой, что до него невозможно дотронуться) указывает на его возможный дефект. Разместите аккумулятор на безопасном расстоянии от воспламеняющихся материалов в хорошо просматриваемом и пожаробезопасном месте. Дайте остыть аккумулятору. Если по истечении одного часа аккумулятор все еще остается таким горячим, что его нельзя взять в руки, это означает, что он неисправен. Свяжитесь с сервисной службой **Hilti**.



3.1 Компоненты, элементы управления и индикации электроинструмента



- ① Пылезащитный колпак
- ② Зажимной патрон
- ③ Деблокиратор рабочего инструмента
- ④ Переключатель режимов работы
- ⑤ Ограничитель глубины
- ⑥ Переключатель правого/левого вращения с блокировкой включения
- ⑦ Выключатель (основной)
- ⑧ Рукоятка
- ⑨ Аккумулятор
- ⑩ Индикатор уровня заряда и неисправности (литий-ионного аккумулятора)
- ⑪ Кнопки (де)блокировки аккумулятора
- ⑫ Разъем для подключения пылеудаляющего модуля TE DRS-4-A(01)
- ⑬ Боковая рукоятка

3.2 Использование по назначению

Данный электроинструмент представляет собой аккумуляторный перфоратор, который предназначен для ударного сверления отверстий в бетоне и кирпичной кладке, безударного сверления в стали, древесине и кирпичной кладке, а также для вворачивания и выворачивания шурупов.

- Для этого изделия используйте только литий-ионные аккумуляторы **Hilti** серии В 22.
- Для зарядки этих аккумуляторов используйте только разрешенные фирмой **Hilti** зарядные устройства. Дополнительную информацию см. в **Hilti Store** или на www.hilti.group.

3.3 Уровень заряда литий-ионного аккумулятора

При использовании литий-ионных аккумуляторов уровень их заряда можно контролировать путем нажатия одной из кнопок (де)блокировки.

Состояние	Значение
Горят четыре светодиода.	Уровень заряда: от 75 % до 100 %
Горят три светодиода.	Уровень заряда: от 50 % до 75 %
Горят два светодиода.	Уровень заряда: от 25 % до 50 %
Горит один светодиод.	Уровень заряда: от 10 % до 25 %
Мигает один светодиод.	Уровень заряда: < 10 %

Во время работы и непосредственно после ее завершения вызов индикации уровня заряда невозможен. При мигании светодиодов индикатора уровня заряда аккумулятора следуйте указаниям из главы «Поиск и устранение неисправностей».



3.4 Комплект поставки

Перфоратор, боковая рукоятка, ограничитель глубины, руководство по эксплуатации

Пылеудаляющий модуль TE DRS-4-A (01) используется в качестве оснастки для выполнения работ без пыли.

Другие системные принадлежности, допущенные для использования с этим изделием, вы можете найти в **Hilti Store** или на сайте **www.hilti.group**

4 Технические данные

4.1 Перфоратор

	TE 4-A22
Масса по EPTA Procedure 01 с аккумулятором B22/8.0	3,9 кг
Энергия одиночного удара согласно методу EPTA 05/2009	2 Дж
Диапазон диаметров отверстий при сверлении в бетоне/кирпичной кладке (ударное сверление)	4 мм ... 28 мм
Диапазон диаметров сверления в древесине (цельное сверло)	3 мм ... 20 мм
Диапазон диаметров отверстий при сверлении в металле (цельное сверло)	3 мм ... 10 мм

4.2 Данные о шуме и вибрации

Приводимые здесь значения уровня звукового давления и вибрации были измерены согласно стандартизированной процедуре измерения и могут использоваться для сравнения электроинструментов между собой. Они также подходят для предварительной оценки вредных воздействий. Указанные данные применимы к основным областям применения электроинструмента. Однако, если электроинструмент используется для других целей, с другими рабочими инструментами или в случае его неудовлетворительного технического обслуживания, данные могут быть иными. Вследствие этого в течение всего периода работы электроинструмента возможно значительное увеличение вредных воздействий. Для точного определения вредных воздействий следует также учитывать промежутки времени, в течение которых электроинструмент находится в выключенном состоянии или работает холостую. Вследствие этого в течение всего периода работы электроинструмента возможно заметное уменьшение вредных воздействий. Примите дополнительные меры безопасности для защиты пользователя от воздействия возникающего шума и/или вибраций, например: техническое обслуживание электроинструмента и рабочих (сменных) инструментов, сохранение тепла рук, правильная организация рабочих процессов.

Значения уровня шума определены согласно EN 60745

Уровень звуковой мощности (L_{WA})	99 дБ(A)
Погрешность уровня звуковой мощности (K_{WA})	3 дБ(A)
Значение уровня звукового давления (L_{pA})	88 дБ(A)
Погрешность уровня звукового давления (K_{pA})	3 дБ(A)

Общие значения вибрации, измеренные согласно EN 60745

Ударное сверление в бетоне ($a_{h, HD}$)	11 м/с ²
Коэффициент погрешности (K)	1,5 м/с ²

4.3 Аккумулятор

Рабочее напряжение аккумулятора	21,6 В
Температура окружающей среды при эксплуатации	-17 °C ... 60 °C
Температура хранения	-20 °C ... 40 °C
Температура аккумулятора в начале зарядки	-10 °C ... 45 °C



5 Управление

5.1 Подготовка к работе



ПРЕДУПРЕЖДЕНИЕ

Опасность травмирования вследствие непреднамеренного пуска!

- ▶ Перед установкой аккумулятора убедитесь в том, что соответствующий электроинструмент выключен.
- ▶ Прежде чем приступить к регулировке электроинструмента или замене принадлежностей выньте аккумулятор из электроинструмента.

Соблюдайте указания по технике безопасности и предупреждающие указания, приводимые в данном документе и на изделии.

5.1.1 Установка боковой рукоятки

1. Поверните рукоятку, чтобы расфиксировать фиксатор (фиксирующее кольцо) боковой рукоятки.
2. Установите фиксатор (фиксирующее кольцо) спереди через патрон в предусмотренный для этого паз.
3. Установите боковую рукоятку в нужное положение.
4. Поверните рукоятку, чтобы зажать фиксатор (фиксирующее кольцо) боковой рукоятки.

5.1.2 Установка аккумулятора

1. Установите и зафиксируйте аккумулятор в креплении электроинструмента (при правильной фиксации слышен характерный щелчок).
2. Проверьте надежность фиксации аккумулятора.

5.1.3 Удаление аккумулятора

1. Нажмите кнопки деблокировки аккумулятора.
2. Вытяните аккумулятор движением к себе.

5.1.4 Установка рабочего инструмента

1. Слегка смажьте хвостовик рабочего инструмента.
 - ▶ Используйте только оригинальную пластичную смазку фирмы Hilti. Использование неподходящей пластичной смазки может стать причиной повреждений электроинструмента.
2. Вставьте рабочий инструмент до упора в зажимной патрон (до фиксации).
3. После этого потяните рабочий инструмент на себя, чтобы убедиться в том, что он надежно зафиксирован.
 - ▶ Электроинструмент готов к работе.

5.1.5 Извлечение рабочего инструмента



ОСТОРОЖНО

Опасность травмирования рабочим инструментом! Рабочий инструмент может нагреваться или иметь острые кромки.

- ▶ При смене рабочего инструмента пользуйтесь защитными перчатками.

- ▶ Оттяните патрон до упора назад и извлеките рабочий инструмент.

5.1.6 Установка ограничителя глубины (опция)

1. Поверните рукоятку, чтобы расфиксировать фиксатор (фиксирующее кольцо) боковой рукоятки.
2. Установите ограничитель глубины спереди в два специально предназначенных для этого направляющих отверстия.
3. Поверните рукоятку, чтобы зажать фиксатор (фиксирующее кольцо) боковой рукоятки.

5.2 Выполнение работ



ВНИМАНИЕ

Опасность повреждения вследствие неправильного обращения!

- ▶ Не нажимайте переключатель направления вращения и/или режима во время работы.




Соблюдайте указания по технике безопасности и предупреждающие указания, приводимые в данном документе и на изделии.

5.2.1 Направление вращения

- ▶ Отрегулируйте направление вращения.
 - ▶ Переключатель зафиксирован в этом положении.

5.2.2 Сверление без удара

- ▶ Установите переключатель режимов работы на этот символ:  .

5.2.3 Ударное сверление

- ▶ Установите переключатель режимов работы на этот символ:  .

6 Уход и техническое обслуживание

6.1 Уход и техническое обслуживание

ПРЕДУПРЕЖДЕНИЕ

Опасность травмирования при установленном аккумуляторе !

- ▶ Перед проведением любых работ по уходу и обслуживанию всегда извлекайте аккумулятор!

Уход за электроинструментом

- Удаляйте налипшую грязь с осторожностью.
- Осторожно очищайте вентиляционные прорези (при наличии) сухой мягкой щеткой.
- Очищайте корпус только слегка увлажненной тканью. Не используйте средства по уходу с содержанием силикона, поскольку они могут повредить пластиковые детали.
- Для очистки контактов электроинструмента используйте чистую сухую тряпку.

Уход за литий-ионными аккумуляторами

- Категорически запрещается использовать аккумулятор с забитыми вентиляционными прорезями. Осторожно очистите вентиляционные прорези сухой мягкой щеткой.
- Не допускайте чрезмерного запыления или загрязнения аккумулятора. Категорически запрещается подвергать аккумулятор чрезмерному воздействию влаги (например, опускать его в воду или оставлять под дождем).

Если аккумулятор промокнет, обращайтесь с ним, как с поврежденным. Поместите его в контейнер из негорючего материала и обратитесь в сервисную службу **Hilti**.

- Аккумулятор должен быть чистым, без следов масла и смазки. Не допускайте чрезмерного скопления пыли или грязи на аккумуляторе. Очищайте аккумулятор сухой мягкой кистью или чистой и сухой тряпкой. Не используйте средства по уходу с содержанием силикона, поскольку они могут повредить пластиковые детали.
Не прикасайтесь к контактам аккумулятора и не удаляйте с них смазку, нанесенную на заводе.
- Очищайте корпус только слегка увлажненной тканью. Не используйте средства по уходу с содержанием силикона, поскольку они могут повредить пластиковые детали.

Техническое обслуживание

- Регулярно проверяйте все видимые части электроинструмента на отсутствие повреждений, а элементы управления — на исправное функционирование.
- При повреждениях и/или функциональных сбоях не используйте электроинструмент. Незамедлительно сдайте электроинструмент для ремонта в сервисный центр **Hilti**.
- После ухода за электроинструментом и его технического обслуживания установите все защитные приспособления на место и проверьте их исправное функционирование.



Для обеспечения безопасной эксплуатации используйте только оригинальные запасные части и расходные материалы. Допущенные **Hilti** запасные части, расходные материалы и принадлежности для этого электроинструмента вы можете найти в **Hilti Store** или на: www.hilti.group

6.2 Очистка пылезащитного колпачка

- ▶ Регулярно выполняйте очистку пылезащитного колпачка на зажимном патроне с помощью сухой и чистой ткани.



- ▶ Осторожно протрите уплотнительный язычок начисто и снова смажьте его тонким слоем пластичной смазки **Hilti**.
- ▶ Всегда заменяйте пылезащитный колпачок, если уплотнительный язычок поврежден.

7 Транспортировка и хранение

7.1 Транспортировка и хранение аккумуляторных инструментов и аккумуляторов

Транспортировка



ОСТОРОЖНО

Непреднамеренное включение в ходе транспортировки !

- ▶ При транспортировке своих электроинструментов всегда отсоединяйте от них аккумуляторы!
- ▶ Извлеките аккумулятор(ы).
- ▶ Категорически запрещается транспортировать аккумуляторы без упаковки (бестарным способом). Во время транспортировки необходимо принять меры по защите аккумуляторов от сильных ударов и вибраций и изолировать их от любых токопроводящих материалов или других аккумуляторов, чтобы не допустить их контакта с клеммами других аккумуляторов и, как следствие этого, короткого замыкания. **Соблюдайте действующие предписания по транспортировке аккумуляторов.**
- ▶ Запрещается пересылать аккумуляторы по почте. Обратитесь в транспортно-экспедиционную компанию, если вы хотите переслать поврежденные аккумуляторы.
- ▶ Перед каждым использованием, а также перед длительной транспортировкой и после нее проверяйте электроинструмент и аккумуляторы на отсутствие повреждений.

Хранение



ПРЕДУПРЕЖДЕНИЕ

Непреднамеренное повреждение вследствие неисправных или протекающих аккумуляторов !

- ▶ При хранении своих электроинструментов всегда отсоединяйте от них аккумуляторы!
- ▶ По возможности храните фонарь и аккумуляторы в сухом и прохладном месте. Соблюдайте ограничения по температуре, приводимые в технических характеристиках.
- ▶ Не храните аккумуляторы на зарядном устройстве. После зарядки всегда извлекайте аккумулятор из зарядного устройства.
- ▶ Никогда не оставляйте аккумуляторы на солнце, на нагревательных/отопительных элементах или за стеклом.
- ▶ Храните фонарь и аккумуляторы в недоступном для детей и посторонних лиц месте.
- ▶ Перед каждым использованием, а также перед длительным хранением и после него проверяйте электроинструмент и аккумуляторы на отсутствие повреждений.

8 Поиск и устранение неисправностей

8.1 Помощь при неисправностях

В случае неисправностей, которые не указаны в этой таблице или которые вы не можете устранить самостоятельно, обращайтесь в ближайший сервисный центр **Hilti**.

8.2 Перфоратор неисправен

Неисправность	Возможная причина	Решение
Светодиоды ничего не показывают.	Аккумулятор вставлен не полностью.	▶ Установите аккумулятор с характерным (двойным) щелчком.
	Аккумулятор разряжен.	▶ Замените аккумулятор и зарядите разряженный аккумулятор.
Мигает один светодиод.	Аккумулятор разряжен.	▶ Замените аккумулятор и зарядите разряженный аккумулятор.



Неисправность	Возможная причина	Решение
Мигает один светодиод.	Аккумулятор слишком холодный/слишком горячий	► Уменьшите/увеличьте температуру аккумулятора до рекомендованной рабочей температуры.
Мигают четыре светодиода.	Кратковременная перегрузка перфоратора	► Отпустите выключатель и нажмите его снова.

8.3 Перфоратор исправен

Неисправность	Возможная причина	Решение
Не выполняется сверление с ударом.	Перфоратор слишком холодный	► Установите перфоратор на базовый материал и дайте ему поработать в холостом режиме. При необходимости повторяйте процедуру, пока работает ударный механизм.
	Установите переключатель режимов работы в положение «Сверление без удара»  .	► Установите переключатель режимов работы в положение «Сверление с ударом»  .
	Перфоратор установлен в положение левого вращения.	► Переведите переключатель правого/левого вращения в положение правого вращения.
Выключатель не нажимается или заблокирован.	Переключатель правого/левого вращения находится в среднем положении.	► Переведите переключатель правого/левого вращения вправо или влево.
Шпиндель не вращается.	Превышена допустимая рабочая температура электроники перфоратора.	► Дайте остыть перфоратору.
	Аккумулятор разряжен.	► Замените аккумулятор и зарядите разряженный аккумулятор.
Перфоратор автоматически отключается.	Сработала система защиты от перегрузки электродвигателя.	► Отпустите основной выключатель. Дайте остыть перфоратору. Нажмите выключатель снова. Уменьшите нагрузку на электроинструмент.
Аккумулятор разряжается быстрее, чем обычно.	Очень низкая температура окружающей среды	► Обеспечьте постепенный нагрев аккумулятора до комнатной температуры.
При установке аккумулятора не слышно характерного (двойного) щелчка.	Грязь на контактах аккумулятора	► Очистите фиксирующие выступы и установите аккумулятор повторно.
Сильный нагрев (внутри) перфоратора или аккумулятора.	Электрическая неисправность	► Немедленно выключите перфоратор. Извлеките аккумулятор и наблюдайте за ним. Дайте ему остыть. Свяжитесь с сервисной службой Hilti .
	Перфоратор перегружен (работа за пределами эксплуатационных характеристик).	► Выберите подходящий для конкретной области применения электроинструмент.
Рабочий инструмент не высвобождается из патрона.	Не полностью отжат зажимной патрон.	► Оттяните патрон до упора назад и извлеките рабочий инструмент.



Неисправность	Возможная причина	Решение
Рабочий инструмент не функционирует.	Перфоратор установлен в положение левого вращения.	▶ Переведите переключатель правого/левого вращения в положение правого вращения.
	Установите переключатель режимов работы в положение «Сверление без удара» .	▶ Установите переключатель режимов работы в положение «Сверление с ударом» IT .

9 Утилизация



ПРЕДУПРЕЖДЕНИЕ

Опасность травмирования вследствие неправильной утилизации! Опасность для здоровья вследствие выхода газов или жидкостей.

- ▶ Не пересылайте поврежденные аккумуляторы!
- ▶ Закрывайте аккумуляторные контакты не проводящим ток материалом, чтобы избежать коротких замыканий.
- ▶ Утилизируйте аккумуляторы так, чтобы исключить их попадание в руки детей.
- ▶ Утилизируйте аккумулятор через ближайший **Hilti Store** или обратитесь в специализированную фирму по утилизации.



Большинство материалов, из которых изготовлены изделия **Hilti**, подлежат вторичной переработке. Перед утилизацией следует тщательно рассортировать материалы (для удобства их последующей переработки). Во многих странах фирма **Hilti** уже организовала прием бывших в использовании электрических и электронных устройств (инструментов, приборов) для утилизации. Дополнительную информацию по этому вопросу можно получить в отделе по обслуживанию клиентов или у консультантов по продажам фирмы **Hilti**.



- ▶ Не выбрасывайте электрические инструменты, электронные устройства/приборы и аккумуляторы вместе с обычным мусором!

10 RoHS (Директива об ограничении применения опасных веществ)

По этой ссылке доступна таблица опасных веществ: qr.hilti.com/r3159232.

Ссылку на виде QR-кода на таблицу опасных веществ согласно директиве RoHS см. в конце этого документа.

11 Гарантия производителя

- ▶ С вопросами по поводу гарантийных условий обращайтесь в ближайшее представительство **Hilti**.

Оригінальна інструкція з експлуатації

1 Інформація про документацію

1.1 Інформація про цей документ

- Перш ніж розпочинати роботу з інструментом, прочитайте цей документ. Це є передумовою безпечної роботи та відсутності несправностей під час застосування інструмента.
- Дотримуйтеся попереджувальних вказівок та вказівок з техніки безпеки, наведених у цьому документі та на корпусі інструмента.
- Завжди зберігайте інструкцію з експлуатації поблизу інструмента та передавайте інструмент іншим особам лише разом з інструкцією.



1.2 Пояснення символів

1.2.1 Попереджувальні вказівки

Попереджувальні вказівки інформують користувача про фактори небезпеки, пов'язані із застосуванням інструмента. Використовуються такі сигнальні слова:

НЕБЕЗПЕКА

НЕБЕЗПЕКА !

- ▶ Указує на безпосередню небезпеку, що може призвести до отримання тяжких тілесних ушкоджень або навіть до смерті.

ПОПЕРЕДЖЕННЯ

ПОПЕРЕДЖЕННЯ !

- ▶ Указує на потенційно небезпечну ситуацію, яка може призвести до отримання тяжких тілесних ушкоджень або навіть смерті.





ОБЕРЕЖНО

ОБЕРЕЖНО !

- ▶ Указує на потенційно небезпечну ситуацію, яка може призвести до отримання тілесних ушкоджень або до матеріальних збитків.


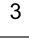


1.2.2 Символи у документі

У цьому документі використовуються такі символи:

	Перед використанням прочитайте інструкцію з експлуатації
	Вказівки щодо експлуатації та інша корисна інформація
	Поводження з матеріалами, придатними для вторинної переробки
	Не викидайте електроінструменти і акумуляторні батареї у баки для побутового сміття

1.2.3 Символи на ілюстраціях




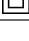
На ілюстраціях використовуються такі символи:

	Цифрами позначаються відповідні ілюстрації, наведені на початку цієї інструкції
	Нумерація відображає послідовність робочих кроків на ілюстраціях та може відрізнятися від нумерації у тексті
	Номера позицій, наведені на оглядовій ілюстрації , відповідають номерам у легенді, що представлена у розділі « Огляд продукту »
	Цей символ позначає аспекти, на які слід звернути особливу увагу під час застосування інструмента.

1.3 Символи, що обумовлені типом інструмента

1.3.1 Символи на інструменті

На інструменті можуть бути наведені такі символи:

	Безударне свердління отворів
	Ударне свердління отворів
	Обертання за годинниковою стрілкою/проти годинникової стрілки
	Клас захисту II (подвійна ізоляція)



	Номінальна швидкість обертання під час холостого ходу
	Постійний струм
Li-Ion	Літій-іонна акумуляторна батарея
	Використовуваний тип літій-іонної акумуляторної батареї Hilti . Дотримуйтеся вказівок, наведених у розділі « Використання за призначенням ».
	Ніколи не використовуйте акумуляторну батарею у якості ударного інструмента.
	Не допускайте падіння акумуляторної батареї. Не використовуйте акумуляторну батарею, яка зазнала ударного навантаження або була пошкоджена іншим чином.
	Інструмент підтримує технологію NFC та є сумісним із платформами iOS та Android.

1.4 Інформація про інструмент

Інструменти **Hilti** призначені для професійного використання, а тому їхню експлуатацію, технічне обслуговування та ремонт слід доручати лише авторизованому персоналу зі спеціальною підготовкою. Цей персонал повинен бути спеціально проінструктований про можливі ризики. Інструмент та допоміжне приладдя можуть стати джерелом небезпеки у разі їхнього неправильного застосування некваліфікованим персоналом або у разі використання не за призначенням.

Тип та серійний номер зазначені на заводській табличці.

- Перепишіть серійний номер у наведену нижче таблицю. При оформленні запитів до нашого представництва та до сервісної служби вказуйте інформацію про інструмент.

Інформація про інструмент

Перфоратор	TE 4-A22
Версія	02
Серійний номер	

1.5 Сертифікат відповідності

Зі всією належною відповідальністю заявляємо, що описаний у цьому документі інструмент відповідає діючим директивам і стандартам. Копія сертифіката відповідності наведена у кінці цього документа.

Технічна документація зазначена нижче:

Hilti Entwicklungsgesellschaft mbH | Zulassung Geräte | Hiltistraße 6 | 86916 Kaufering, DE

2 Безпека

2.1 Загальні вказівки з техніки безпеки при роботі з електроінструментами

⚠ ПОПЕРЕДЖЕННЯ! Уважно прочитайте усі вказівки та інструкції з техніки безпеки. Щонайменше недотримання вказівок та інструкцій з техніки безпеки може призвести до ураження електричним струмом, займання та/або отримання тяжких травм.

Збережіть всі інструкції та вказівки з техніки безпеки – вони можуть знадобитися Вам у майбутньому.

Безпека на робочому місці

- **Дбайте про чистоту та достатнє освітлення робочого місця.** Безлад на робочому місці та недостатнє освітлення можуть стати причиною нещасних випадків.
- **Не працюйте з електроінструментом у вибухонебезпечному середовищі, що містить легкозаймисті рідини, газу або пил.** Під час роботи електроінструментів утворюються іскри, від яких можуть зайнятися легкозаймисті випари або пил.
- **Подбайте про те, щоб під час використання електроінструмента поблизу не було дітей та сторонніх осіб.** Щонайменше відволікання може призвести до втрати контролю над інструментом.

Електрична безпека

- **Під час роботи не торкайтеся заземлених поверхонь, наприклад труб, радіаторів опалення, печей та холодильників.** Якщо Ваше тіло перебуває в контакті із системою заземлення, існує підвищений ризик ураження електричним струмом.



- ▶ **Захищайте електроінструменти від дощу та вологи.** У разі проникнення води в електроінструмент підвищується ризик ураження електричним струмом.

Безпека персоналу

- ▶ **Будьте уважними, зосередьтеся на виконуваній операції, до роботи з електроінструментом ставтеся серйозно. Не користуйтеся електроінструментом, якщо Ви втомлені або перебуваєте під дією наркотичних речовин, алкоголю або лікарських засобів.** Під час роботи з електроінструментом не відволікайтеся ні на мить, оскільки це може призвести до отримання серйозних травм.
- ▶ **Використовуйте засоби індивідуального захисту і завжди надягайте захисні окуляри.** Використання засобів індивідуального захисту, наприклад респіратор, захисного взуття на нековзній підшві, захисного шолома або шумозахисних навушників – залежно від різновиду електроінструмента та особливостей його застосування – зменшує ризик травмування.
- ▶ **Уникайте випадкового вмикання електроінструмента. Переконайтеся в тому, що електроінструмент вимкнений, перш ніж приєднувати акумулятор, піднімати електроінструмент або переносити його.** Якщо під час перенесення електроінструмента тримати палець на вимикачі або приєднувати інструмент до джерела живлення увімкненим, це може призвести до нещасного випадку.
- ▶ **Перш ніж вмикати електроінструмент, від'єднайте від нього все налагоджувальне приладдя або гайкові ключі.** Приладдя або ключ, що знаходяться в обертовому вузлі інструмента, можуть стати причиною отримання травм.
- ▶ **Уникайте виконання роботи в незручній позі. Під час виконання робіт ставайте в стійку позу і намагайтеся повсякчас утримувати рівновагу.** Це дозволить Вам більш упевнено контролювати електроінструмент у разі виникнення несподіваних обставин.
- ▶ **Надягайте відповідний робочий одяг. Не надягайте для роботи занадто просторий одяг та прикраси. Слідкуйте за тим, щоб волосся, одяг та робочі рукавиці знаходилися подальше від обертових частин інструмента.** Просторий одяг, прикраси або довге волосся можуть бути захоплені рухомими частинами інструмента.
- ▶ **Якщо передбачена можливість установа системи пиловидалення та пилозбірників, обов'язково переконайтеся в тому, що вони правильно приєднані й використовуються належним чином.** Застосування системи видалення пилу дозволяє зменшити негативний вплив пилу на персонал.

Використання електроінструмента та належний догляд за ним

- ▶ **Не допускайте перенавантаження інструмента. Завжди використовуйте електроінструмент, призначений для виконання відповідної роботи.** При використанні належного електроінструмента забезпечуються більш висока якість та безпека виконання робіт у вказаному діапазоні продуктивності.
- ▶ **Не використовуйте електроінструмент із пошкодженням вимикачем.** Електроінструмент, який неможливо вмикати або вимикати, є небезпечним і підлягає ремонту.
- ▶ **Від'єднайте від інструмента акумуляторну батарею, перш ніж розпочинати налаштування інструмента, замінювати приладдя або робити перерву в роботі.** Такий запобіжний захід допоможе уникнути випадкового вмикання електроінструмента.
- ▶ **Електроінструменти, що не використовуються, зберігайте в недоступному для дітей місці. Не дозволяйте користуватися інструментом особам, які не ознайомлені з інструментом або не читали ці інструкції.** У руках недосвідчених людей електроінструменти являють собою серйозну небезпеку.
- ▶ **Дбайливо доглядайте за електроінструментом. Ретельно перевіряйте, чи бездоганно працюють та чи не заклинюють рухомі частини, чи не зламалися або не зазнали інших пошкоджень деталі, від яких залежить справна робота електроінструмента. Перед початком роботи з інструментом пошкоджені деталі слід відремонтувати.** Багато нещасних випадків можна уникнути за умови належного технічного обслуговування електроінструментів.
- ▶ **Слідкуйте за тим, щоб ріжучі інструменти завжди залишалися чистими та належним чином заточеними.** Дбайливо доглянутий ріжучий інструмент із гострими різальними кромками не так часто заклинюється, і з ним легше працювати.
- ▶ **Під час експлуатації електроінструмента, приладдя до нього, робочих інструментів тощо дотримуйтеся наведених у цьому документі вказівок. При цьому завжди враховуйте умови в місці виконання робіт та дії, яких вимагає поставлене завдання.** Використання електроінструментів не за призначенням може призвести до виникнення небезпечних ситуацій.

Використання акумуляторного інструмента та належний догляд за ним

- ▶ **Для заряджання акумуляторних батарей застосовуйте лише зарядні пристрої, рекомендовані виробником.** Зарядний пристрій, придатний для заряджання акумуляторних батарей певного типу,



може спричинити пожежу, якщо його застосовувати для заряджання акумуляторних батарей інших типів.

- ▶ Для живлення електроінструментів застосовуйте лише спеціально призначені для цього акумуляторні батареї. Застосування інших акумуляторних батарей може призвести до отримання травм і виникнення пожежі.
- ▶ Акумуляторну батарею, яка не використовується, тримайте подалі від канцелярських скріпок, монет, ключів, цвяхів, гвинтів та інших дрібних металевих предметів, які могли б спричинити коротке замикання її контактів. Коротке замикання контактів акумуляторної батареї може призвести до отримання опіків або до виникнення пожежі.
- ▶ У разі неправильного застосування з акумуляторної батареї може пролитися рідина. Уникайте контакту з нею. Пролита з акумуляторної батареї рідина може призвести до подразнення шкіри або отримання опіків. У разі випадкового контакту зі шкірою негайно промийте уражене місце достатньою кількістю води. Якщо рідина потрапила в очі, рекомендується додатково звернутися по лікарську допомогу.

Сервісне обслуговування

- ▶ Доручайте ремонт електроінструмента лише кваліфікованому персоналу зі спеціального підготовкою за умови використання тільки оригінальних запасних частин. Це забезпечить функціональність електроінструмента.

2.2 Додаткові вказівки з техніки безпеки під час роботи з перфоратором

Безпека персоналу

- ▶ Користуйтеся лише повністю справним інструментом та приладдям.
- ▶ Вносити будь-які зміни до конструкції інструмента або приладдя заборонено.
- ▶ Використовуйте додаткові рукоятки, що входять до комплекту постачання інструмента. Втрата контролю над інструментом може стати причиною травмування.
- ▶ Під час наскрізної обробки укріпіть відповідну ділянку поверхні з протилежного боку деталі. Осколки можуть розлітатися у різні боки та/або вниз і травмувати інших людей.
- ▶ Завжди міцно тримайте інструмент обома руками за передбачені для цього рукоятки. Слідкуйте за тим, щоб рукоятки були сухими та чистими.
- ▶ Якщо під час виконання робіт існує ймовірність того, що змінний робочий інструмент може натрапити на приховану електропроводку, утримуйте інструмент за ізольовані поверхні рукояток. У разі контакту з електричним кабелем, який знаходиться під напругою, металеві деталі інструмента також потраплять під напругу, а це може призвести до ураження електричним струмом.
- ▶ Уникайте контакту з деталями інструмента, що обертаються.
- ▶ Під час роботи з інструментом використовуйте захисні окуляри, каску, захисні навушники та відповідні засоби захисту органів дихання.
- ▶ Під час заміни робочого інструмента користуйтеся захисними рукавицями. Контакт зі змінним робочим інструментом може призвести до отримання порізів або опіків.
- ▶ Використовуйте захисні окуляри. Уламки матеріалу можуть завдати поранень або пошкодити очі.
- ▶ Пил, який утворюється під час шліфування, обробки наждачним папером, різання та свердління певних матеріалів, може містити небезпечні хімічні речовини. Деякі приклади таких матеріалів: свинець або фарби на основі свинцю; цегла, бетон та інші матеріали, що використовуються для споруджування стін, зокрема природний камінь та інші речовини, які містять силікати; певні види деревини, зокрема дуб або бук, а також деревина, яка пройшла хімічну обробку; азбест або матеріали, що містять азбест. Визначайте рівень впливу пилу на оператора та осіб, які знаходяться поблизу, приймаючи до уваги клас небезпеки оброблюваних матеріалів. Вживайте потрібних заходів, щоб утримувати вплив пилу на мінімально можливому рівні, зокрема використовуйте систему видалення пилу або відповідний респіратор. До загальних заходів, спрямованих на зменшення впливу пилу, належать такі:
 - ▶ виконання робіт на добре провітряній ділянці;
 - ▶ уникнення тривалого контакту з пилом;
 - ▶ недопущення контакту пилу з обличчям та тілом;
 - ▶ використання захисного одягу, а також миття засмічених ділянок водою з милом.
- ▶ Часто робіть перерви у роботі та виконуйте вправи на розминання пальців, щоб покращити кровообіг у них. Під час довготривалих робіт високочастотна вібрація може пошкодити судини або нерви у пальцях, руках або зап'ясткових суглобах.

Електрична безпека

- ▶ Перед початком роботи перевіряйте робоче місце на наявність прихованих електричних кабелів, газових та водопровідних труб. Якщо під час роботи будуть випадково пошкоджені електричні



кабелі, газовий або водяний трубопровід, то їхній контакт із відкритими металевими деталями інструмента може спричинити ураження електричним струмом або вибух.

Належне використання електроінструментів та дбайливий догляд за ними

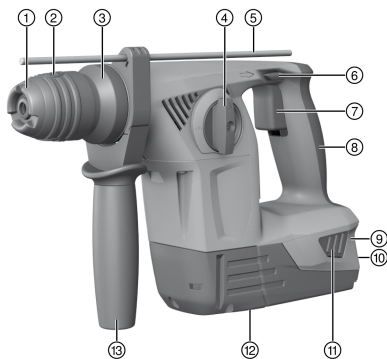
- ▶ Якщо сталося блокування змінного робочого інструмента, негайно вимкніть електроінструмент. Інструмент може відхилитися вбік.
- ▶ Зачекайте, доки змінний робочий інструмент повністю зупиниться, перш ніж знімати його з оброблюваного об'єкта.

2.3 Застосування акумуляторних батарей та дбайливий догляд за ними

- ▶ Дотримуйтеся особливих указівок щодо транспортування, складського зберігання та застосування літій-іонних акумуляторних батарей.
- ▶ Не піддавайте акумуляторні батареї впливу високих температур, прямих сонячних променів та відкритого вогню.
- ▶ Акумуляторні батареї забороняється розбирати, роздавлювати, нагрівати до температури понад 80 °C (176 °F) або спалювати.
- ▶ Не використовуйте та не заряджайте акумуляторні батареї, які зазнали впливу ударного навантаження, впали з висоти більше одного метра або були пошкоджені іншим чином. У разі виникнення такої ситуації завжди звертайтеся до **сервісної служби** компанії **Hilti**.
- ▶ Якщо акумуляторна батарея гаряча на дотик, вона може бути пошкоджена. Залиште акумуляторну батарею у захищеному від вогню місці на достатній відстані від горючих матеріалів, де за нею можна спостерігати. Зачекайте, доки акумуляторна батарея не охолоне. Якщо через годину акумуляторна батарея все ще залишається гарячою на дотик, це свідчить про її несправність. Зверніться до **сервісної служби** компанії **Hilti**.

3 Опис

3.1 Елементи конструкції інструмента, органи керування та індикація



- ① Пилозахисний ковпак
- ② Затисковий патрон
- ③ Пристрій для знімання змінного робочого інструмента
- ④ Перемикач функцій
- ⑤ Обмежувач глибини
- ⑥ Перемикач напряму обертання за годинниковою стрілкою/проти годинникової стрілки з блокуванням від увімкнення
- ⑦ Вимикач
- ⑧ Рукоятка
- ⑨ Акумуляторна батарея
- ⑩ Індикатор стану заряду та несправності (літій-іонна акумуляторна батарея)
- ⑪ Кнопки розблокування акумуляторної батареї
- ⑫ Місце приєднання модуля для всмоктування пилу TE DRS-4-A(01)
- ⑬ Бокова рукоятка



3.2 Використання за призначенням

Описаний у цьому документі інструмент являє собою перфоратор з акумуляторним живленням. Він призначений для свердління отворів у сталі, деревині та цегляній кладці, для ударного свердління отворів у бетоні та цегляній кладці, а також для загвинчування та розгвинчування гвинтів.

- Використовуйте із цим інструментом лише літій-іонні акумуляторні батареї **Hilti** типу В 22.
- Для заряджання цих акумуляторних батарей використовуйте тільки зарядні пристрої, рекомендовані компанією **Hilti**. Додаткову інформацію можна знайти у **Hilti Store** або на веб-сайті www.hilti.group

3.3 Індикатор літій-іонної акумуляторної батареї

У процесі використання літій-іонної акумуляторної батареї для перевірки стану її заряду досить злегка натиснути на одну з деблокувальних кнопок.

Стан	Значення
Горять 4 світлодіоди.	Стан заряду: від 75 % до 100 %
Горять 3 світлодіоди.	Стан заряду: від 50 % до 75 %
Горять 2 світлодіоди.	Стан заряду: від 25 % до 50 %
Горить 1 світлодіод.	Стан заряду: від 10 % до 25 %
Мигає 1 світлодіод.	Стан заряду: < 10 %

Під час роботи та відразу ж після її закінчення визначити стан заряду акумуляторної батареї неможливо. Якщо мигають світлодіодні індикатори стану заряду акумуляторної батареї, будь ласка, виконайте вказівки, наведені в розділі «Пошук і усунення несправностей».

3.4 Комплект постачання

Перфоратор, бокова рукоятка, обмежувальний упор, інструкція з експлуатації.

Модуль пиловидалення TE DRS-4-A (01) є приладдям, призначеним для видалення пилу під час виконання робіт.

Інше приладдя, допущене до експлуатації з Вашим інструментом, Ви можете придбати у **Hilti Store** або на веб-сайті www.hilti.group

4 Технічні дані**4.1 Перфоратор**

	TE 4-A22
Маса відповідно до EPTA Procedure 01 з акумуляторною батареєю B228.0	3,9 кг
Енергія поодинокого удару згідно з процедурою EPTA від 05/2009	2 Дж
Діапазон діаметрів отворів у бетоні/цегляній кладці (ударне свердління)	4 мм ... 28 мм
Діапазон діаметрів отворів у деревині (цільне свердло)	3 мм ... 20 мм
Діапазон діаметрів отворів у металі (цільне свердло)	3 мм ... 10 мм

4.2 Дані про шум та значення вібрації

Наведені у цих рекомендаціях значення звукового тиску та вібрації були виміряні згідно з установленою процедурою вимірювання та можуть використовуватися для порівняння електроінструментів. Вони також придатні для попереднього оцінювання шумового та вібраційного навантаження. Наведені дані обумовлюють переважні сфери застосування електроінструмента. Однак якщо Ви використовуєте його не за призначенням, застосовуєте нестандартне приладдя або неналежним чином здійснюєте догляд за інструментом, ці дані можуть відрізнитися від вказаних значень. Це може призвести до помітного збільшення шумового та вібраційного навантаження протягом усього робочого часу. Для більш точної оцінки шумового та вібраційного навантаження необхідно враховувати також проміжки часу, протягом яких інструмент залишається вимкненим або працює на холостому ходу. Це може значно зменшити вібраційне та шумове навантаження протягом усього робочого часу. Необхідно також вживати додаткових заходів безпеки з метою захисту працівників від дії шуму та/або вібрації, зокрема: проводити своєчасне технічне обслуговування електроінструмента та змінних робочих інструментів до нього, утримувати руки у теплі, належним чином організувати робочий процес.



Рівень шуму, визначений згідно з EN 60745

Рівень шумової потужності (L_{WA})	99 дБ(А)
Похибка для рівня шумової потужності (K_{WA})	3 дБ(А)
Рівень звукового тиску (L_{pA})	88 дБ(А)
Похибка для рівня звукового тиску (K_{pA})	3 дБ(А)

Сумарне значення вібрації, визначене згідно зі стандартом EN 60745

Ударне свердління отворів у бетоні ($a_{h, HD}$)	11 м/с ²
Похибка (К)	1,5 м/с ²

4.3 Акумуляторна батарея

Робоча напруга акумуляторної батареї	21,6 В
Температура навколишнього середовища під час роботи	-17 °C ... 60 °C
Температура зберігання	-20 °C ... 40 °C
Температура акумуляторної батареї на початку процесу заряджання	-10 °C ... 45 °C

5 Експлуатація
5.1 Підготовка до роботи

ПОПЕРЕДЖЕННЯ

Ризик отримання травм внаслідок непередбаченого увімкнення інструмента!

- ▶ Перш ніж установлювати акумуляторну батарею, переконайтеся, що відповідний інструмент вимкнений.
- ▶ Від'єднайте акумуляторну батарею, перш ніж задавати налаштування інструмента або замінити приладдя.

Дотримуйтеся попереджувальних вказівок та вказівок з техніки безпеки, наведених у цьому документі та на корпусі інструмента.

5.1.1 Установлення бокової рукоятки 2

1. Прокрутіть головку-фіксатор, щоб вивільнити тримач (стягну стрічку) бокової рукоятки.
2. Насадіть тримач (стягну стрічку) спереду через затискний патрон у відповідний паз.
3. Установіть бокову рукоятку у потрібне положення.
4. Прокрутіть головку-фіксатор, щоб зафіксувати тримач (стягну стрічку) бокової рукоятки.

5.1.2 Установлення акумуляторної батареї 3

1. Уставте акумуляторну батарею у тримач на інструменті таким чином, щоб вона зафіксувалася із чітким характерним звуком.
2. Переконайтеся, що акумуляторна батарея надійно зафіксована в інструменті.

5.1.3 Виймання акумуляторної батареї 4

1. Натисніть на деблокувальні кнопки акумуляторної батареї.
2. Дістаньте акумуляторну батарею, потягнувши її у напрямку, протилежному напрямку встановлення.

5.1.4 Установлення змінного робочого інструмента 5

1. Нанесіть мастило тонким шаром на хвостовик змінного робочого інструмента.
 - ▶ Використовуйте лише оригінальне мастило виробництва компанії Hilti. Використання неналежного мастила може спричинити несправність інструмента.
2. Установіть змінний робочий інструмент до упору у затискний патрон, щоб він зафіксувався.
3. Переконайтеся, що вставлений змінний робочий інструмент надійно зафіксований у патроні – для цього потягніть за робочий інструмент.
 - ▶ Інструмент готовий до роботи.



5.1.5 Виймання змінного робочого інструмента

ОБЕРЕЖНО

Ризик отримання травм внаслідок контакту зі змінним робочим інструментом! Змінний робочий інструмент може бути гарячим, а його кромки – гострими.

▶ Під час заміни робочого інструмента використовуйте захисні рукавиці.

▶ Відведіть фіксатор змінного робочого інструмента назад до упору та вийміть змінний робочий інструмент.

5.1.6 Установлення обмежувального упора (опція)

1. Прокрутіть головку-фіксатор, щоб вивільнити тримач (стягну стрічку) бокової рукоятки.

2. Уставте обмежувальний упор спереду у передбачені для нього 2 напрямні отвори.

3. Прокрутіть головку-фіксатор, щоб зафіксувати тримач (стягну стрічку) бокової рукоятки.

5.2 Під час роботи

УВАГА

Небезпека пошкодження обладнання внаслідок неналежного використання!

▶ Не натискайте на перемикач напряму обертання та/або на перемикач вибору функцій під час роботи інструмента.


Дотримуйтеся попереджувальних вказівок та вказівок з техніки безпеки, наведених у цьому документі та на корпусі інструмента.

5.2.1 Напря́м обертання


▶ Установіть напрям обертання.

▶ Перемикач повинен зафіксуватися у цьому положенні.

5.2.2 Безударне свердління отворів

▶ Установіть перемикач функцій у положення, відмічене символом: .

5.2.3 Ударне свердління отворів

▶ Установіть перемикач функцій у положення, відмічене символом: .

6 Догляд і технічне обслуговування

6.1 Догляд і технічне обслуговування

ПОПЕРЕДЖЕННЯ

Небезпека травмування під час виконання робіт на інструменті з установленою акумуляторною батареєю!

▶ Завжди діставайте з інструмента акумуляторну батарею, перш ніж розпочинати будь-які роботи з догляду та технічного обслуговування!

Догляд за виробом

- Видаляйте накопичення бруду обережно.
- Якщо конструкцією інструмента передбачені вентиляційні прорізи, обережно прочищайте їх м'якою сухою щіткою.
- Чистьте корпус інструмента тільки вологою тканиною. Не використовуйте миючі засоби, що містять силікон, оскільки вони можуть пошкодити пластмасові деталі.
- Для чищення контактів інструмента використовуйте чисту суху тканину.

Догляд за літій-іонними акумуляторними батареями

- Ніколи не використовуйте акумуляторну батарею із заблокованими вентиляційними прорізами. Обережно прочищайте вентиляційні прорізи м'якою сухою щіткою.



- Уникайте зайвого контакту акумуляторної батареї з пилом або брудом. Ніколи не піддавайте акумуляторну батарею впливу високої вологості (зокрема, не занурюйте її у воду та не залишайте під дощем).
Якщо рідина потрапила всередину акумуляторної батареї, з нею слід поводитися як із пошкодженою акумуляторною батареєю. Ізолюйте акумуляторну батарею у контейнері з незаймистого матеріалу та зверніться до сервісної служби компанії **Hilti**.
- Не допускайте забруднення акумуляторної батареї сторонніми мастильними матеріалами. Слідкуйте за тим, щоб на акумуляторній батареї не накопичувалась занадто велика кількість пилу або бруду. Видаляйте забруднення з акумуляторної батареї м'якою сухою щіткою або чистою сухою тканиною. Не використовуйте миючі засоби, що містять силікон, оскільки вони можуть пошкодити пластмасові деталі.
Не торкайтеся контактів акумуляторної батареї та не видаляйте з них мастильні матеріали, нанесені на заводі виробника.
- Чистьте корпус інструмента тільки вологою тканиною. Не використовуйте миючі засоби, що містять силікон, оскільки вони можуть пошкодити пластмасові деталі.

Технічне обслуговування

- Регулярно перевіряйте усі зовнішні частини інструмента на наявність пошкоджень, а органи керування – на предмет справної роботи.
- Не використовуйте інструмент у разі виявлення пошкоджень та/або порушень функціональності. негайно передайте інструмент до сервісної служби компанії **Hilti** для здійснення ремонту.
- Після завершення робіт з догляду і технічного обслуговування встановіть усі захисні пристрої та перевірте їхню роботу.



Щоб гарантувати належну роботу інструмента, використовуйте тільки оригінальні запасні частини та видаткові матеріали. Рекомендовані компанією **Hilti** запасні частини, видаткові матеріали та приладдя для інструмента Ви можете придбати у найближчому магазині **Hilti Store** або на веб-сайті www.hilti.group

6.2 Чищення пилозахисного ковпака

- ▶ Регулярно протирайте пилозахисний ковпак затискного патрона для робочого інструмента чистою сухою тканиною.
- ▶ Обережно протирайте робочу кромку ущільнення і злегка змащуйте її консистентним мастилом **Hilti**.
- ▶ Обов'язково замініть пилозахисний ковпак, якщо робоча кромка ущільнення пошкоджена.

7 Транспортування та зберігання

7.1 Транспортування та зберігання акумуляторних інструментів та акумуляторних батарей

Транспортування



ОБЕРЕЖНО

Непередбачене увімкнення інструмента під час транспортування !

- ▶ На час транспортування завжди діставайте з інструмента акумуляторну батарею!
- ▶ Діставайте акумуляторну(-і) батарею(-і).
- ▶ Ніколи не перевозьте акумуляторні батареї у незапакованому вигляді. Під час перевезення акумуляторні батареї повинні бути захищені від сильних поштовхів та вібрацій, а також ізольовані від будь-яких струмопровідних матеріалів та від інших акумуляторних батарей. Це дозволить уникнути короткого замикання, яке може статися через контакт полюсів різних акумуляторних батарей. **Дотримуйтеся місцевих правил, які регламентують порядок перевезення акумуляторних батарей.**
- ▶ Забороняється пересилати акумуляторні батареї поштою. Для пересилання непошкоджених акумуляторних батарей зверніться до кур'єрської служби.
- ▶ Перед кожним використанням, а також перед тривалим транспортуванням і після його завершення перевіряйте інструмент та акумуляторні батареї на наявність пошкоджень.



Зберігання



ПОПЕРЕДЖЕННЯ

Непередбачене пошкодження інструмента через несправність акумуляторної батареї або через виток електроліту з акумуляторної батареї !

- ▶ На час зберігання завжди діставайте з інструмента акумуляторну батарею!
- ▶ Зберігайте інструмент та акумуляторні батареї у сухому прохолодному місці. Дотримуйтеся діапазону температур, зазначеного у технічних даних інструмента.
- ▶ Не зберігайте акумуляторні батареї на зарядному пристрої. Після закінчення процесу заряджання завжди від'єднайте акумуляторну батарею від зарядного пристрою.
- ▶ Не зберігайте акумуляторні батареї на сонці, біля джерел тепла або на підвіконні.
- ▶ Зберігайте інструмент та акумуляторні батареї у сухому місці, недоступному для дітей та сторонніх осіб.
- ▶ Перед кожним використанням, а також перед тривалим зберіганням і після його завершення перевіряйте інструмент та акумуляторні батареї на наявність пошкоджень.

8 Пошук і усунення несправностей

8.1 Допомога у разі виникнення несправностей

У разі виникнення несправностей, які не зазначені у цій таблиці або які Ви не можете полагодити самостійно, зверніться до сервісної служби компанії **Hilti**.

8.2 Перфоратор не готовий до роботи

Несправність	Можлива причина	Рішення
Індикація світлодіодів відсутня.	Акумуляторна батарея встановлена в інструмент не до кінця.	▶ Зафіксуйте акумуляторну батарею з подвійним клацанням.
	Акумуляторна батарея розряджена.	▶ Замініть акумуляторну батарею та зарядіть розряджену акумуляторну батарею.
Мигає 1 світлодіод.	Акумуляторна батарея розряджена.	▶ Замініть акумуляторну батарею та зарядіть розряджену акумуляторну батарею.
	Акумуляторна батарея занадто гаряча або холодна.	▶ Зачекайте, доки акумуляторна батарея не нагріється або не охолоне до належної робочої температури.
Мигають 4 світлодіоди.	Перфоратор короткочасно перевантажений.	▶ Відпустіть вимикач та знову натисніть на нього.

8.3 Перфоратор готовий до роботи

Несправність	Можлива причина	Рішення
Відсутній удар.	Перфоратор занадто холодний.	▶ Установіть перфоратор на робочу поверхню та дайте йому попрацювати на холостому ходу. За необхідності повторіть операцію, доки ударний механізм не почне працювати.
	Перемикач функцій знаходиться в положенні «Безударне свердління отворів» .	▶ Установіть перемикач функцій у положення «Ударне свердління отворів» IT .
	Перфоратор установлений на обертання проти годинникової стрілки.	▶ Установіть перемикач на пряму обертання за годинниковою стрілкою/проти годинникової стрілки в положення «за годинниковою стрілкою».



Несправність	Можлива причина	Рішення
На вимикач неможливо натиснути, або він заблокований.	Перемикач напряму обертання за годинниковою стрілкою/проти годинникової стрілки знаходиться в середньому положенні.	► Поверніть перемикач напряму обертання за годинниковою стрілкою/проти годинникової стрілки праворуч або ліворуч.
Шпindelь інструмента не обертається.	Перевищена припустима робоча температура електронного блока перфоратора.	► Зачекайте, доки перфоратор не охолоне.
	Акумуляторна батарея розряджена.	► Замініть акумуляторну батарею та зарядіть розряджену акумуляторну батарею.
Перфоратор автоматично вимикається.	Спрацював захист від перенавантажень.	► Відпустіть вимикач. Зачекайте, доки перфоратор не охолоне. Знову натисніть на вимикач. Зменште навантаження на інструмент.
Акумуляторна батарея розряджається швидше, ніж звичайно.	Занадто низька температура навколишнього середовища.	► Дайте акумуляторній батареї повільно прогрітись до кімнатної температури.
Акумуляторна батарея не зафіксується з чітко відчутним подвійним клацанням.	Фіксатори акумуляторної батареї засмічені.	► Прочистіть зачіпки фіксаторів та вставте акумуляторну батарею знову.
Перфоратор або акумуляторна батарея сильно перегріваються.	Електрична несправність	► негайно вимкніть перфоратор. Дістаньте акумуляторну батарею та поспостерігайте за нею. Зачекайте, доки вона не охолоне. Зверніться до сервісної служби компанії Hilti .
	Перфоратор перенавантажений (перевищене максимально припустиме навантаження).	► скористайтеся інструментом, який підходить для виконання поточної роботи.
Інструмент неможливо розблокувати.	Затиснений патрон не повністю відведений назад.	► Відведіть фіксатор змінного робочого інструмента назад до упору та вийміть змінний робочий інструмент.
Змінний робочий інструмент не функціонує.	Перфоратор установлений на обертання проти годинникової стрілки.	► Установіть перемикач напряму обертання за годинниковою стрілкою/проти годинникової стрілки в положення «за годинниковою стрілкою».
	Перемикач функцій знаходиться в положенні «Безударне свердління отворів» .	► Установіть перемикач функцій у положення «Ударне свердління отворів» T .

9 Утилізація



ПОПЕРЕДЖЕННЯ

Ризик отримання травм внаслідок неналежної утилізації! Небезпека для здоров'я внаслідок контакту з газами або рідинами, що виходять з акумуляторної батареї.

- Пошкоджені акумуляторні батареї забороняється пересилати поштою або кур'єрською службою!
- Закрийте контакти акумуляторних батарей електронепровідним матеріалом, щоб запобігти короткому замиканню.
- Утилізуйте акумуляторні батареї таким чином, щоб вони не потрапили до рук дітей.
- Щоб утилізувати акумуляторну батарею, передайте її до найближчого магазину **Hilti Store** або зверніться до представника відповідної компанії з утилізації відходів.



Більшість матеріалів, з яких виготовлено інструменти компанії **Hilti**, придатні для вторинної переробки. Передумовою для їхньої вторинної переробки є належне сортування відходів за типом ма-



теріалу. У багатьох країнах світу компанія Hilti приймає старі інструменти для їхньої утилізації. Щоб отримати додаткову інформацію, звертайтеся до сервісної служби компанії Hilti або до свого торгового консультанта.



- ▶ Не викидайте електроінструменти, електронні пристрої та акумуляторні батареї у баки для побутового сміття!

10 RoHS (директива КНП про обмеження використання небезпечних речовин)

Щоб переглянути таблицю з інформацією про небезпечні речовини, будь ласка, перейдіть за таким посиланням: qr.hilti.com/r3159232.

Посилання на таблицю з інформацією про речовини, включені до директиви RoHS, наведено наприкінці цього документа у вигляді QR-коду.

11 Гарантійні зобов'язання виробника

- ▶ З питань гарантії, будь ласка, звертайтеся до найближчого партнера компанії Hilti.

Түпнұсқа пайдалану бойынша нұсқаулық

1 Құжаттама бойынша деректер

1.1 Бұл құжаттама туралы



Импорттауыш және өндірушінің өкілетті ұйымы

- (RU) Ресей Федерациясы
"Хилти Дистрибьюшн ЛТД" АҚ, 141402, Мәскеу облысы, Химки қ., Ленинградская көш., ғим. 25
- (BY) Беларусь Республикасы
222750, Минск облысы, Дзержинский ауданы, Р-1, 18-ші км, 2 (Слободка ауылының жанында), 1-34 бөлімі
- (KZ) Қазақстан Республикасы
Қазақстан Республикасы, индекс 050011, Алматы қ., Пугачев көш., 4-үй
- (KG) Қырғыз Республикасы
"Т AND Т" ЖШҚ, 720021, Қырғызстан, Бішкек қ., Ибраимов көш., 29 А үйі
- (AM) Армения Республикасы
Эйч-Кон ЖШҚ, Армения Республикасы, Ереван қ., Бабаян көш., 10/1 үйі

Өндірілген елі: жабдықтағы белгілеу тақтайшасын қараңыз.

Өндірілген күні: жабдықтағы белгілеу тақтайшасын қараңыз.

Тиісті сертификатты мына мекенжай бойынша табуға болады: www.hilti.ru

Сақтау, тасымалдау және пайдалану шарттарына пайдалану бойынша нұсқаулықта белгіленгеннен басқа арнайы талаптар қойылмайды.

Өнімнің қызмет ету мерзімі 5 жыл.

- Іске қосу алдында осы құжаттаманы оқып шығыңыз. Бұл қауіпсіз жұмыс пен ақаусыз басқару үшін алғышарт болып табылады.
- Осы құжаттамадағы және өнімдегі қауіпсіздік және ескерту нұсқауларын орындаңыз.
- Пайдалану бойынша нұсқаулықты әрдайым өнімде сақтаңыз және оны басқа тұлғаларға тек осы нұсқаулықпен бірге тапсырыңыз.

1.2 Шартты белгілердің анықтамасы

1.2.1 Ескерту

Ескертулер өнімді қолдану барысындағы қауіптер туралы ескертеді. Төмендегі сигналдық сөздер пайдаланылады:



ҚАУІПТІ

ҚАУІПТІ !

- ▶ Ауыр жарақаттарға әкелетін немесе өмірге қауіп төндіретін тікелей қауіпті жағдайдың жалпы белгіленуі.

ЕСКЕРТУ

ЕСКЕРТУ !

- ▶ Ауыр жарақаттарға әкелуі немесе өмірге қауіп төндіруі мүмкін ықтимал қауіпті жағдайдың жалпы белгіленуі.

АБАЙЛАҢЫЗ

АБАЙЛАҢЫЗ !

- ▶ Жарақат алуға немесе мүліктің зақымдалуына әкелуі мүмкін ықтимал қауіпті жағдайдың жалпы белгіленуі.

1.2.2 Құжаттамадағы белгілер

Бұл құжаттамада төмендегі белгілер пайдаланылады:

	Пайдалану алдында пайдалану бойынша нұсқаулықты оқу қажет
	Аспапты пайдалану бойынша нұсқаулар және басқа пайдалы ақпарат
	Қайта пайдалануға болатын материалдармен жұмыс істеу
	Электр аспаптарды және аккумуляторларды тұрмыстық қоқысқа тастамаңыз

1.2.3 Суреттердегі белгілер

Суреттерде төмендегі белгілер қолданылады:

	Бұл сандар осы нұсқаулықтың басындағы әр суретке сәйкес келеді
	Нөмірлеу суреттегі жұмыс қадамдарының реттілігін білдіреді және мәтіндегі жұмыс қадамдарынан өзгешеленуі мүмкін
	Позиция нөмірлері Шолу суретінде қолданылады және Өнімге шолу мақаласындағы шартты белгілердің нөмірлеріне сілтейді
	Аталмыш белгілер өнімді қолдану барысында айрықша назарыңызды аудартады.

1.3 Өнімге қатысты белгілер

1.3.1 Өнімдегі белгілер

Өнімде төмендегі белгілер пайдаланылуы мүмкін:

	Соққысыз бұрғылау
	Соққымен бұрғылау (соғатын бұрғылау)
	Айналу бағытын өзгерту
	II қорғау класы (қос изоляция)
P_0	Жүктемесіз номиналды айналу жиілігі
	Тұрақты ток
Li-Ion	Литий-иондық аккумулятор



	Пайдаланылған Hilti литий-ион аккумуляторларының сериясы. Қолдану мақсаты бөліміндегі нұсқауларды орындаңыз.
	Аккумуляторды еш жағдайда соқпа құрал ретінде пайдаланбаңыз.
	Аккумуляторды құлатып жібермеңіз. Соққы тиген немесе басқа жолмен зақымдалған аккумуляторды пайдаланбаңыз.
	Құрылғы iOS және Android платформаларымен үйлесімді NFC технологиясын қолдайды.

1.4 Өнім туралы ақпарат

Hilti өнімдері кәсіби пайдаланушыларға арналған және оларды тек қана өкілетті, білікті қызметкерлер пайдалануы, күтім және техникалық қызмет көрсетуі тиіс. Қызметкерлер қауіпсіздік техникасы бойынша арнайы нұсқау алуы керек. Өнім мен оның қосалқы құралдарын басқа мақсатта қолдану немесе олардың оқытылмаған қызметкерлердің тарапынан пайдаланылуы қауіпті.

Түр сипаттамасы мен сериялық нөмір фирмалық тақтайшада берілген.

- Сериялық нөмірді төмендегі кестеге көшіріп қойыңыз. Өнім туралы мәліметтерді өкілдігімізге немесе қызмет көрсету бөлімімізге сұрау беру арқылы алуға болады.

Өнім туралы мәліметтер

Перфоратор	TE 4-A22
Буын	02
Сериялық нөмір	

1.5 Сәйкестілік декларациясы

Біз осы нұсқаулықта сипатталған өнімнің қолданыстағы директивалар мен нормативтерге сәйкес келетінін толық жауапкершілікпен жариялаймыз. Сәйкестілік декларациясының суреті осы құжаттамаңыз соңында орналасқан.

Техникалық құжаттама мына жерде сақталған:

Hilti Entwicklungsgesellschaft mbH | Zulassung Geräte | Hiltistraße 6 | 86916 Kaufering, DE

2 Қауіпсіздік

2.1 Электр құралдары үшін қауіпсіздік техникасы бойынша жалпы нұсқаулар

⚠ ЕСКЕРТУ! Сақтық шаралары бойынша барлық нұсқауларды және нұсқауларды оқып шығыңыз. Төменде берілген нұсқауларды орындамау электр тогының соғуына, өртке әкелуі мүмкін және/немесе ауыр жарақаттарды тудыруы мүмкін.

Қауіпсіздік техникасы бойынша барлық нұсқауларды және нұсқауларды келесі пайдаланушы үшін сақтаңыз.

Жұмыс орны

- **Жұмыс орнындағы тазалықты және тәртіпті қадағалаңыз.** Жұмыс орнындағы ретсіздік және нашар жарық сәтсіз жағдайларға әкелуі мүмкін.
- **Жанғыш сұйықтықтар, газдар немесе шаң бар жарылыс қаупі бар аймақта электр құралын қолданбаңыз.** Жұмыс кезінде электр құралдары ұшқындар шығады және ұшқындар шаңды немесе буларды тұтандыруы мүмкін.
- **Балалардың және бөгде адамдардың жұмыс істеп тұрған электр құралына жақындауына рұқсат етпеңіз.** Жұмысқа көңіл бөлмегенде, электр құралын бақылау жоғалуы мүмкін.

Электр қауіпсіздігі

- **Денеңізді құбырлар, жылытқыштар, плиталар мен тоңазытқыштар сияқты жерге тұйықталған беттерге тигізбеңіз.** Жерге қосылған заттарға тигенде электр тогы соғуының үлкен қаупі туындайды.
- **Электр құралдарын жаңбырдан немесе ылғал әсерінен сақтаңыз.** Электр құралына су тиюі нәтижесінде электр тогының соғу қаупі артады.

Адамдардың қауіпсіздігі

- **Ұқыпты болыңыз, әрекеттеріңізге көңіл бөліңіз және электр құралмен жұмыс істеуге дұрыс қараңыз.** Шаршаған кезде немесе есірткі, алкоголь не дәрі қабылдаған соң электр құралды қолданбаңыз. Электр құралды қолданған кездегі зейінсіздік ауыр жарақаттарға апарып соғуы мүмкін.



- ▶ **Жеке қорғану құралдарын пайдаланыңыз және әрқашан міндетті түрде қорғауыш көзілдірікті киіңіз.** Электр құралының түріне және пайдалану жағдайларына байланысты жеке қорғану құралдарын, мысалы, шаңнан қорғайтын респираторды, сырғымайтын аяқ киімді, қорғауыш шлемді, естуді қорғау құралдарын қолдану жарақаттану қаупін азайтады.
- ▶ **Электр құралының кездейсоқ қосылуын болдырмаңыз.** Электр құралды аккумуляторға жалғаудан, шығарудан немесе тасудан бұрын оның өшірулі екеніне көз жеткізіңіз. Электр құралды тасымалдағанда саусақтар сөндіргіште болатын немесе қосылған электр құрал желіге қосылатын жағдайлар сәтсіз жағдайларға әкелуі мүмкін.
- ▶ **Электр құралын қосу алдында реттеуші құрылғыларды және гайка кілтін алыңыз.** Электр құралының айналатын бөлігіндегі аспап немесе кілт жарақаттарға әкелуі мүмкін.
- ▶ **Жұмыс кезінде ыңғайсыз қалыптарға тұрмауға тырысыңыз.** Үнемі тұрақты күйді және тепе-теңдікті сақтаңыз. Бұл күтпеген жағдайларда электр құралын жақсырақ басқаруға мүмкіндік береді.
- ▶ **Арнайы киімді киіңіз. Өте бос киімді немесе әшекейлерді кімеңіз. Шашты, киімді және қолғапты электр құралының айналатын түйіндерінен сақтаңыз.** Бос киім, әшекейлер және ұзын шаш оларға ілінуі мүмкін.
- ▶ **Егер шанды жинау және кетіруге арналған құрылғыларды қосу қарастырылған болса, олар қосылғанына және мақсаты бойынша қолданылып жатқанына көз жеткізіңіз.** Шанды кетіру модулін пайдалану шаңның зиянды әсерін азайтады.

Электр құралын қолдану және оған қызмет көрсету

- ▶ **Аспапқа шамадан тыс жүктеме түсуін болдырмаңыз. Нақ осы жұмысқа арналған электр құралын қолданыңыз.** Бұл ережені сақтау көрсетілген қуат диапазонында жоғарырақ жұмыс сапасын және қауіпсіздігін қамтамасыз етеді.
- ▶ **Сөндіргіші бұзылған электр құралын қолданбаңыз.** Қосу немесе өшіру қиын электр құралы қауіпті және оны жөндеу керек.
- ▶ **Аспапты орнату жұмыстарын орындаудан, керек-жарақтарды ауыстырудан немесе аспапты сақтауға қюдан бұрын аккумуляторды шығарып алыңыз.** Бұл сақтық шарасы электр құралдың кездейсоқ қосылуын болдырмайды.
- ▶ **Қолданылмайтын электр құралдарды балалар жетпейтін жерде сақтаңыз.** Электр құралды оны пайдалана алмайтын немесе осы нұсқауларды оқып шықпаған тұлғаларға бермеңіз. Электр құралдар тәжірибесі жоқ пайдаланушылардың қолында қауіпті болады.
- ▶ **Электр құралдарға мұқият күтім көрсетіңіз.** Айналымалы бөліктердің мүлтіксіз қызмет ететінін, олардың жүрісінің жеңілдігін, барлық бөліктердің тұтастығын және электр құралдың жұмысына теріс әсер етуі мүмкін зақымдардың жоқтығын тексеріңіз. Аспаптың зақымдалған бөліктерін оны қолдану алдында жөндеуге өткізіңіз. Электр құралға техникалық қызмет көрсету ережелерін сақтамау көп сәтсіз жағдайлардың себебі болып табылады.
- ▶ **Кескіш аспаптардың үшкір және таза болуын қадағалау керек.** Жұмыс күйінде сақталатын кескіш аспаптардың сыналануы сиректеу болады, оларды басқару жеңілдеу.
- ▶ **Электр құралын, саймандарды, көмекші құрылғыларды және т.б. нұсқауларға сай пайдаланыңыз.** Бұл кезде жұмыс жағдайларын және орындалатын жұмыстың сипатын ескеріңіз. Электр құралдарын басқа мақсаттарда қолдану қауіпті жағдайларға әкелуі мүмкін.

Аккумуляторлық аспапты пайдалану және оған қарау

- ▶ **Аккумуляторды тек өндіруші ұсынған зарядтағыш құрылғылардың көмегімен зарядтаңыз.** Зарядтағыш құрылғыны тиісті емес аккумулятор түрлерін зарядтау үшін қолданғанда өрт туындауы мүмкін.
- ▶ **Аспаппен жұмыс істеу үшін тек тиісті аккумуляторларды қолданыңыз.** Басқа аккумуляторларды пайдалану жарақаттарға әкелуі және өрт тудыруы мүмкін.
- ▶ **Пайдаланылмайтын аккумуляторларды контакттардың тұйықталуының себебі болуы мүмкін скрепалардан, тындардан, кілттерден, инелерден, винттерден және басқа металл заттардан ары сақтаңыз.** Аккумулятор контактарының тұйықталуы күйіктерге немесе тұтануға әкелуі мүмкін.
- ▶ **Аккумулятормен тиісті емес түрде жұмыс істегенде одан электролит ағып шығуы мүмкін. Оған тиюді болдырмаңыз.** Аккумулятордан ағып шыққан электролит тері тітіркенуін немесе күйіктерді тудыруы мүмкін. Кездейсоқ тигенде сумен шайыңыз. Электролит көзге тигенде дәрігер көмегіне жүгініңіз.

Қызмет

- ▶ **Электр құралды жөндеуді тек түпнұсқа қосалқы бөлшектерді қолданатын білікті қызметкерлерге сеніп тапсырыңыз.** Бұл электр құралды қауіпсіз күйде сақтауды қамтамасыз етеді.



2.2 Перфоратор қауіпсіздігі бойынша қосымша нұсқаулар

Адамдардың қауіпсіздігі

- ▶ Өнімді және керек-жарақтарды тек техникалық мінсіз күйінде қолданыңыз.
- ▶ Өнімде немесе керек-жарақтарда ешқандай манипуляциялар не өзгерістер орындамаңыз.
- ▶ Өнім жинағына кіретін қосымша тұтқыштарды қолданыңыз. Бақылау мүмкіндігінен айырылу жарақат алуға әкелуі мүмкін.
- ▶ Тесіп өтетін бұрғылау кезінде қауіпті аймақты қабырғаның қарама-қарсы жағынан қоршаңыз. Сыртқа шығатын және/немесе төмен түсетін сынықтар адамдарға жарақат тигізуі мүмкін.
- ▶ Өнімді әрқашан екі қолмен тұтқыштарынан берік ұстаңыз. Тұтқышты құрғақ өрі таза күйінде ұстаңыз.
- ▶ Алмалы-салмалы аспап жасырын электр сымдарына тие алатын жұмыстарды өткізген кезде өнімді оқшауланған беттерінен ұстаңыз. Кернеу өткізгіш сыммен жанасқан жағдайда, аспаптың металл бөліктері де кернеу астына түсіп, ток соғуға әкелуі мүмкін.
- ▶ Айналмалы бөлшектерге тиіменіз - жарақат алу қаупі бар!
- ▶ Өнімді қолдану барысында қорғауыш көзілдірікті, қорғауыш қасқаны, қорғауыш құлаққапты және жарамды респираторды киіп жүріңіз.
- ▶ Құралды алмастырған кезде қорғауыш қолғап киіңіз. Алмалы-салмалы аспапқа тию кесіктерге және күйіктерге апарып соғуы мүмкін.
- ▶ Көз қорғанысын пайдаланыңыз. Материалдың сынықтары денені және көзді жарақаттауы мүмкін.
- ▶ Ажарлау, егеуқұм қағазымен тазалау, кесу және бұрғылау кезінде пайда болатын шаңның құрамында қауіпті химиялық заттар болуы мүмкін. Мысалдары келесідей: қорғасын немесе қорғасын негізіндегі бояулар; плитка, бетон және басқа кірпіш қалау өнімдері, табиғи тас және басқа силикаттық өнімдер; өмен, шамшат және химиялық затпен өңделген сүрек сияқты белгілі бір сүрек түрлері; асбест немесе құрамында асбест бар материалдар. Пайдаланушы мен оның айналасындағы адамдарға әсер ету дәрежесін өңдеу орындалатын материалдардың қауіп класы бойынша анықтаңыз. Әсерді қауіпсіз деңгейде сақтау үшін шаң жинайтын жүйелерді пайдалану немесе арнайы тыныс алу органдарының қорғанысын киіп жүру сияқты қажетті шараларды қолданыңыз. Әсер ету дәрежесін азайту бойынша жалпы шараларға төмендегілер жатады:
 - ▶ Жақсы желдетілген аймақта жұмыс істеу,
 - ▶ Шаңның ұзақ уақыт бойы тиюіне жол бермеу,
 - ▶ Шаңды көз бен денеден алыстату,
 - ▶ Қорғаныс киімін киіп жүру және әсер етілген жерлерді сумен және сабынмен жуу.
- ▶ Саусақтың қан айналымын жақсарту үшін жиі үзіліс жасап, жаттығу жасаңыз. Ұзақ уақыт жұмыс істеген кезде, қатты дірілдердің салдарынан саусақ, қол не буындардың қантамыры не жүйкесіне теріс әсер тиюі мүмкін.

Электр қауіпсіздігі

- ▶ Жұмысты бастама бұрын жұмыс аймағында жасырын сымдардың, газ бен су құбырларының бар-жоғын тексеріп шығыңыз. Қуыт сымына, газ немесе су құбырына зақым келтірген жағдайда, өнімнің сыртындағы металл бөліктер ток соғуға немесе жарылысқа әкелуі мүмкін.

Электр құралмен дұрыс жұмыс істеу және оны дұрыс пайдалану

- ▶ Алмалы-салмалы аспап бұғатталған жағдайда, өнімді дереу өшіріңіз. Өнім бүйірімен ауытқуы мүмкін.
- ▶ Өнімді алып тастау алдында ол толығымен тоқтағанша күтіңіз.

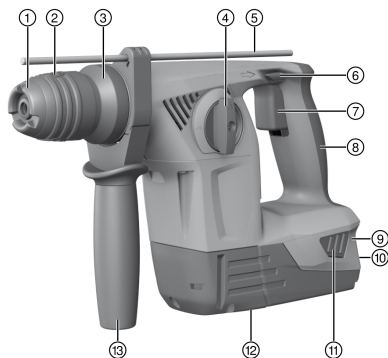
2.3 Аккумулятормен дұрыс жұмыс істеу және оны дұрыс пайдалану

- ▶ Li-Ion аккумуляторын тасымалдау, сақтау және пайдалану бойынша арнайы нұсқаулардың талаптарын орындаңыз.
- ▶ Аккумуляторларды жоғары температуралар, тікелей күн сәулесі мен өрттен алшақ ұстаңыз.
- ▶ Аккумуляторларды бөлшектеуге, қысуға, 80°C (176°F) жоғары температураға дейін қыздыруға және жағуға тыйым салынады.
- ▶ Соққы тиген, бір метрден жоғары биіктіктен құлаған немесе басқа жолмен зақымдалған аккумуляторларды пайдалануға немесе зарядтауға болмайды. Мұндай жағдайда әрдайым **Hilti сервистік қызметіңізге** хабарласыңыз.
- ▶ Егер тиген кезде аккумулятор тым ыстық болса, ол ақаулы болуы мүмкін. Аккумуляторды тұтанғыш материалдардан жеткілікті қашықтықта орналасқан, жақсы көрінетін, тұтанбайтын жерге қойыңыз. Аккумуляторды суытыңыз. Аккумулятор бір сағаттан кейін әлі де қолға ыстық болып тұрса, бұл оның ақаулы екендігін білдіреді. **Hilti қызмет көрсету орталығына** хабарласыңыз.



3 Сипаттама

3.1 Аспап құрамдастары, басқару және индикация элементтері



- ① Шаңнан қорғау қабы
- ② Құрал бекіткіші
- ③ Құрал босатқышы
- ④ Функцияны таңдау қосқышы
- ⑤ Тереңдік шектегіші
- ⑥ Іске қосу құлпы бар оңға/солға айналуың ауыстырып-қосқышы
- ⑦ Негізгі сөндіргіш
- ⑧ Тұтқыш
- ⑨ Аккумулятор
- ⑩ Зарядталу деңгейінің және ақаулықтардың индикаторы (Li-Ion аккумуляторы)
- ⑪ Аккумуляторға арналған босату түймесі
- ⑫ TE DRS-4-A(01) шаңсорғыш модуліне арналған қосылым
- ⑬ Бүйірлік тұтқыш

3.2 Мақсатына сай қолдану

Сипатталған өнім аккумуляторлық перфоратор болып табылады. Ол болат, ағаш пен кірпіш қалауды бұрғылау, бетон мен кірпіш қалауды соққымен бұрғылау және бұрандаларды бұрап бекітуге және босатуға арналған.

- Бұл өнім үшін тек В 22 сериялы **Hilti** Li-Ion аккумуляторларын ғана пайдаланыңыз.
- Бұл аккумуляторлар үшін тек **Hilti** компаниясы мақұлдаған зарядтағыш құрылғыларды қолданыңыз. Қосымша ақпаратты **Hilti Store** дүкенінен немесе мына веб-сайттан алуға болады: www.hilti.group

3.3 Литий-иондық аккумулятор зарядының күйін көрсеткіш

Литий-иондық аккумуляторларды қолданған кезде зарядтау күйін бұғаттау түймесін тұрту арқылы көрсетуге болады.

Құралдың бөлшектері	Сипаттамасы
4 жарық диоды жанады.	Зарядтау күйі: 75 % - 100 %
3 жарық диоды жанады.	Зарядтау күйі: 50 % - 75 %
2 жарық диоды жанады.	Зарядтау күйі: 25 % - 50 %
1 жарық диоды жанады.	Зарядтау күйі: 10 % - 25 %
1 жарық диоды жыпықтайды.	Зарядтау күйі: < 10 %

Жұмыс уақытында және бірден жұмысты аяқтағаннан кейін зарядталу деңгейі туралы сұрау мүмкін емес. Аккумулятордың зарядталу деңгейі жарық диодтары жыпылықтаған жағдайда «Ақаулықтарды жою» бөліміндегі нұсқауларға назар аударыңыз.



3.4 Жеткізілім жинағы

Перфоратор, бүйірлік тұтқыш, тереңдік шектегіші, пайдалану бойынша нұсқаулық.

TE DRS-4-A (01) шаңсорғыш модулі керек-жарақ ретінде шаңсыз жұмыс істеуді қамтамасыз ету үшін ұсынылады.

Оған қоса өніміңіз үшін рұқсат етілген жүйелік өнімдерді **Hilti Store** дүкенінде немесе мына веб-сайттан табуға болады: www.hilti.group

4 Техникалық сипаттамалар

4.1 Перфоратор

	TE 4-A22
ЕРТА Procedure 01 бойынша салмағы, B228.0 аккумуляторын қоса	3,9 кг
ЕРТА 05/2009 процедурасына сай жалғыз соққы энергиясы	2 Дж
Бетонда/кірпіш қалауда бұрғылау диаметрінің диапазоны (соғатын бұрғылау)	4 мм ... 28 мм
Ағашта бұрғылау диаметрлерінің диапазоны (қатты бұрғылау бұрғысы)	3 мм ... 20 мм
Металда бұрғылау диаметрлерінің диапазоны (қатты бұрғылау бұрғысы)	3 мм ... 10 мм

4.2 Шуыл туралы ақпарат және діріл мәні

Осы нұсқауларда көрсетілген дыбыс қысымы мен діріл деңгейі стандартты өлшеу әдісімен өлшенген және оны басқа электр құралдарымен салыстыру үшін пайдалануға болады. Сонымен бірге, ол экспозицияны алдын ала бағалау үшін жарайды. Берілген деректер электр құралдың негізгі жұмысын көрсетеді. Алайда, егер электр құралы басқа мақсаттарда, басқа жұмыс аспаптарымен қолданылса немесе оған қанағаттандырмайтын техникалық қызмет көрсетілсе, деректер өзгеше болуы мүмкін. Осының салдарынан аспаптың бүкіл жұмыс істеу кезеңінде экспозиция айтарлықтай артуы мүмкін. Экспозицияны дәл анықтау үшін аспап сөндірілген күйде немесе бос жұмыс істейтін уақыт аралықтарын да ескеру керек. Осының салдарынан аспаптың бүкіл жұмыс істеу кезеңінде экспозиция айтарлықтай азаюы мүмкін. Пайдаланушыны пайда болатын шуылдан және/немесе дірілден қорғау үшін қосымша сақтық шараларын қолданыңыз, мысалы: электр құралға және алмалы-салмалы аспаптарға техникалық қызмет көрсету, қолдардың жылуын сақтау, жұмыс процестерін дұрыс ұйымдастыру.

EN 60745 стандарты бойынша есептелген шуылдың эмиссиялық көрсеткіші

Дыбыс күшінің деңгейі (L_{WA})	99 дБ(A)
Дыбыс күшінің деңгейі бойынша дәлсіздік (K_{WA})	3 дБ(A)
Эмиссиялық дыбыс қысымының деңгейі (L_{pA})	88 дБ(A)
Дыбыс қысымының деңгейі бойынша дәлсіздік (K_{pA})	3 дБ(A)

EN 60745 стандарты бойынша есептелген дірілдің жалпы көрсеткіші

Бетонда бұрғылау (a_h, nd)	11 м/с ²
Дәлсіздік (K)	1,5 м/с ²

4.3 Аккумулятор

Аккумулятордың жұмыс кернеуі	21,6 В
Жұмыс кезіндегі қоршаған орта температурасы	-17 °C ... 60 °C
Сақтау температурасы	-20 °C ... 40 °C
Зарядтаудың басындағы аккумулятор температурасы	-10 °C ... 45 °C



5 Қызмет көрсету

5.1 Жұмысқа дайындық

ЕСКЕРТУ

Жарақат алу қаупі абайсыздан қосылу себебінен!

- ▶ Аккумуляторды орнату алдында оған қатысты өнімнің өшірілгеніне көз жеткізіңіз.
- ▶ Аспап реттеулерін орындау немесе қосалқы бөлшектерді алмастыру алдында аккумуляторды шығарыңыз.

Осы құжаттамадағы және өнімдегі қауіпсіздік және ескерту нұсқауларын орындаңыз.

5.1.1 Бүйірлік тұтқышты орнату

1. Бүйірлік тұтқыштың ұстағышын (тартылмалы таспаны) босату үшін, тұтқыш бойынша айналдырыңыз.
2. Ұстағышты (тартылмалы таспаны) алдыңғы жақтан құрал бекіткіші арқылы арнайы қарастырылған гайкаға дейін жылжытыңыз.
3. Бүйірлік тұтқышты қалаулы орынға орналастырыңыз.
4. Бүйірлік тұтқыштың ұстағышын (тартылмалы таспаны) керу үшін, тұтқыш бойынша айналдырыңыз.

5.1.2 Аккумуляторды орнату

1. Аккумуляторды құрылғы ұстатқышына тырс еткен дыбыс шыққанша мұқият салыңыз.
2. Аккумулятордың аспапқа берік бекітілгенін тексеріңіз.

5.1.3 Аккумуляторды шығару

1. Аккумулятордағы блоктан шығару түймешіктерін басыңыз.
2. Аккумуляторды шығарыңыз.

5.1.4 Алмалы-салмалы аспапты енгізу

1. Алмалы-салмалы аспап ұшын аздап майлаңыз.
 - ▶ Тек Hilti компаниясы ұсынған түпнұсқа жағармай қолданыңыз. Қате майды қолдану аспапқа зақым келтіруі мүмкін.
2. Алмалы-салмалы аспапты аспап қысқысына тірелгенше салыңыз.
3. Орнатқаннан кейін қысқыда берік бекітілгеніне көз жеткізу үшін жұмыс аспабын өзіңізге тартыңыз.
 - ▶ Өнім жұмысқа дайын.

5.1.5 Алмалы-салмалы аспапты шығару

АБАЙЛАҢЫЗ

Алмалы-салмалы құралды мұқият пайдаланбаса, одан жарақат алу қаупі бар! Алмалы-салмалы аспап ыстық не өткір болуы мүмкін.

- ▶ Алмалы-салмалы аспапты ауыстырған кезде қорғауыш қаптаманы тіреңіз.
- ▶ Құрал құлпын шегіне дейін артқа тартыңыз және алмалы-салмалы аспапты шығарыңыз.

5.1.6 Тереңдік шектегішін орнату (қосымша)

1. Бүйірлік тұтқыштың ұстағышын (тартылмалы таспаны) босату үшін, тұтқыш бойынша айналдырыңыз.
2. Тереңдік шектегішін алдыңғы жақтан арнайы қарастырылған 2 бағыттауыш саңылау ішіне жылжытыңыз.
3. Бүйірлік тұтқыштың ұстағышын (тартылмалы таспаны) керу үшін, тұтқыш бойынша айналдырыңыз.

5.2 Жұмыс істеу

НАЗАР АУДАРЫҢЫЗ

Зақымдалу қаупі. қате қолдану себебінен!

- ▶ Сөндіргішті жұмыс барысында айналу бағытын және/немесе функцияны таңдау үшін пайдаланбаңыз.

Осы құжаттамадағы және өнімдегі қауіпсіздік және ескерту нұсқауларын орындаңыз.



5.2.1 Айналу бағыты

- ▶ Айналу бағытын орнатыңыз.
 - ▶ Ажыратқыш осы позицияда тіркеледі.

5.2.2 Соққысыз бұрғылау

- ▶ Функцияны таңдау қосқышын осы белгіге орнатыңыз:  .

5.2.3 Соққымен бұрғылау

- ▶ Функцияны таңдау қосқышын осы белгіге орнатыңыз:  .

6 Күту және техникалық қызмет көрсету

6.1 Күтім және техникалық қызмет көрсету

ЕСКЕРТУ

Аккумулятор енгізілген кезде жарақат алу қаупі бар !

- ▶ Күтім және техникалық қызмет көрсету бойынша кез келген жұмыстарды орындамас бұрын әрдайым аккумуляторды шығарыңыз!

Өнімге қызмет көрсету

- Қатты жабысып қалған кірді абайлап кетіріңіз.
- Бар болса, желдету саңылауларын құрғақ, жұмсақ қылшақпен жақсылап тазалаңыз.
- Корпусты сәл суланған шүберекпен ғана тазалаңыз. Ешқандай силикон қамтитын күтім құралдарын пайдаланбаңыз, себебі олар пластик бөліктерге зақым келтіре алады.
- Өнімнің контактілерін тазалау үшін таза, құрғақ шүберекті пайдаланыңыз.

Литий-иондық аккумуляторға қызмет көрсету

- Еш жағдайда желдету саңылаулары бітелген аккумуляторды қолданбаңыз. Желдету саңылауларын құрғақ, жұмсақ қылшақпен жақсылап тазалаңыз.
- Аккумуляторға шаңның немесе кірдің қажетсіз тиюіне жол бермеңіз. Аккумуляторға қатты ылғалдың тиюіне ешқашан жол бермеңіз (мысалы, суға батыру немесе жаңбыр астына қою арқылы). Аккумулятор су болса, оны зақымдалған аккумулятор ретінде қарастырыңыз. Оны тұтанбайтын контейнерге оқшаулап, **Hilti** қызмет көрсету орталығына хабарласыңыз.
- Аккумуляторды бөгде май мен майлағыштан таза ұстаңыз. Аккумуляторда шаң не кірдің қажетсіз жиналуына жол бермеңіз. Аккумуляторды құрғақ, жұмсақ қылшақпен немесе таза, құрғақ шүберекпен тазалаңыз. Ешқандай силикон қамтитын күтім құралдарын пайдаланбаңыз, себебі олар пластик бөліктерге зақым келтіре алады. Аккумулятордың контактілеріне тиіменіз және зауыттан тыс қолданылған майды контактілерден кетіріңіз.
- Корпусты сәл суланған шүберекпен ғана тазалаңыз. Ешқандай силикон қамтитын күтім құралдарын пайдаланбаңыз, себебі олар пластик бөліктерге зақым келтіре алады.

Техникалық қызмет көрсету

- Көзге көрінетін барлық бөлшектерде зақымдардың бар-жоғын және басқару элементтерінің ақаусыз жұмысын жиі тексеріп тұрыңыз.
- Өнім зақымдалған және/немесе ақаулы болған жағдайда, оны пайдаланушы болмаңыз. Өнімді міндетті түрде **Hilti** қызмет көрсету орталығында жөндетіңіз.
- Күтім және техникалық қызмет көрсету жұмыстарынан кейін барлық қорғауыш құрылғыларды орнатып, олардың ақаусыз жұмыс істегенін тексеріңіз.



Қауіпсіз қолдану үшін тек түпнұсқа қосалқы бөлшектер мен жұмсалатын материалдарды қолданыңыз. **Hilti** мақұлдаған қосалқы бөлшектер, шығын материалдары мен өнімге арналған керек-жарақтар **Hilti Store** дүкенінде немесе келесі веб-сайтта қолжетімді: www.hilti.group

6.2 Шаңнан қорғайтын қапты тазалау

- ▶ Құрал бекіткішіндегі шаңнан қорғайтын қапты таза, құрғақ шүберекпен тұрақты түрде тазалаңыз.
- ▶ Тығыздағышты жайлап тазалап сүртіңіз және оған **Hilti** жағармайының аз қабатын жағыңыз.
- ▶ Тығыздағыш зақымдалған болса, шаңнан қорғайтын қапты міндетті түрде ауыстырыңыз.



7 Тасымалдау және сақтау

7.1 Аккумуляторлық құралдар мен аккумуляторларды тасымалдау және сақтау

Тасымалдау

АБАЙЛАҢЫЗ

Тасымалдау кезіндегі кенет іске қосылу!

- ▶ Өніміңізді әрдайым аккумуляторын шығарып алып тасымалдаңыз!
- ▶ Аккумулятор(лар)ды шығарыңыз.
- ▶ Аккумуляторларды ешқашан үймеде тасымалдамаңыз. Тасымалдау барысында аккумуляторларды шамадан артық соққы мен дірілден қорғау және олардың басқа батарея полюстерімен жанасуына және қысқа тұйықталудың туындауына жол бермеу үшін кез келген ток өткізгіш материалдардан немесе басқа аккумуляторлардан оқшаулау керек. **Аккумуляторларға арналған жергілікті тасымалдау ережелерін сақтаңыз.**
- ▶ Аккумуляторларды поштамен жіберуге болмайды. Зақымдалмаған аккумуляторларды жіберу қажет болғанда, жеткізуші кәсіпорындарға хабарласыңыз.
- ▶ Өнім мен аккумуляторларды әр пайдаланбас бұрын және ұзақ уақыт бойы тасымалдағаннан кейін зақымдардың бар-жоғын тексеріп шығыңыз.

Сақтау

ЕСКЕРТУ

Бүлінген немесе заряды таусылған аккумуляторлардан күтілмеген зақымдалу!

- ▶ Өніміңізді әрдайым аккумуляторын шығарып алып сақтаңыз!
- ▶ Өнім мен аккумуляторларды салқын және құрғақ жерде сақтаңыз. Техникалық деректерде көрсетілген температураның шектік мәндерін ескеріңіз.
- ▶ Аккумуляторларды зарядтағыш құрылғыда сақтамаңыз. Аккумуляторды зарядтағаннан кейін әрдайым зарядтағыш құрылғыдан шығарыңыз.
- ▶ Аккумуляторларды еш жағдайда күн мен жылу көздерінің астында немесе шыны әйнек артында сақтамаңыз.
- ▶ Өнім мен аккумуляторларды балалар мен рұқсаты жоқ адамдардың қолы жетпейтін жерде сақтаңыз.
- ▶ Өнім мен аккумуляторларды әр пайдаланбас бұрын және ұзақ уақыт бойы сақтағаннан кейін зақымдардың бар-жоғын тексеріп шығыңыз.

8 Ақаулықтарды жою

8.1 Ақаулықтардағы көмек





Бұл кестеде келтірілмеген немесе өзіңіз түзете алмайтын ақаулықтар орын алғанда, **Hilti** қызмет көрсету орталығына хабарласыңыз.

8.2 Перфоратор қолданылуға жарамды емес

Ақаулық	Ықтимал себеп	Шешім
Жарық диодтары өшірулі.	Аккумулятор толығымен салынбаған.	▶ Аккумуляторды қос шырт еткен дыбыс естілгенше бекітіңіз.
	Аккумулятор зарядын босатыңыз.	▶ Аккумуляторды алмастырып, бос аккумуляторды зарядтаңыз.
1 жарық диоды жыпылықтайды.	Аккумулятор зарядын босатыңыз.	▶ Аккумуляторды алмастырып, бос аккумуляторды зарядтаңыз.
	Аккумулятор қызып немесе суып кетті.	▶ Аккумуляторды жұмыс температурасына дейін жеткізіңіз.
4 жарық диоды жыпылықтайды.	Перфораторға қысқа мерзімді шамадан тыс жүктеме түсті.	▶ Негізгі сөндіргішті босатып, қайта басыңыз.



8.3 Перфоратор қолданылуға жарамды

Ақаулық	Ықтимал себеп	Шешім
Соққымен бұрғылау орындалмайды.	Перфоратор тым суық.	▶ Перфораторды жерге қойып, бос жүріспен жұмыс істетіңіз. Қажет болса, соққы механизмі жұмыс істегенше әрекетті қайталаңыз.
	Функцияны таңдау қосқышы «Соққысыз бұрғылау»  күйінде.	▶ Функцияны таңдау қосқышын «Соққымен бұрғылау»  күйіне орнатыңыз.
	Перфоратор солға айналу күйіне ауысты.	▶ Оңға/солға айналу ауыстырып-қосқышын оңға айналу күйіне ауыстырыңыз.
Негізгі сөндіргішті басылмайды, яғни, бұғатталған.	Оңға/солға айналу ауыстырып-қосқышы ортаңғы күйде.	▶ Оңға/солға айналу ауыстырып-қосқышын оңға не солға бұраңыз.
Аспап шпинделі айналмайды.	Перфоратордың электрондық бөлшектерінің рұқсат етілген температурасы асырылған.	▶ Перфораторды суытыңыз.
	Аккумулятор зарядын босатыңыз.	▶ Аккумуляторды алмастырып, бос аккумуляторды зарядтаңыз.
Перфоратор автоматты түрде өшіріледі.	Шамадан тыс жүктеме қорғанысы іске қосылды.	▶ Негізгі сөндіргішті жіберіңіз. Перфораторды суытыңыз. Негізгі сөндіргішті қайтадан іске қосыңыз. Аспап жүктемесін төмендетіңіз.
Аккумулятор заряды едеттегіден тезірек бітеді.	Қоршаған орта температурасы тым төмен.	▶ Аккумуляторды бөлме температурасында ұзақ уақыт бойы жылытыңыз.
Аккумулятор бекітілгенде оған тән "қос шырты еткен дыбыс" естілмейді.	Аккумулятордағы құлып шоқылары кірленген.	▶ Тіреуіш шығыңқы жерлерін тазалаңыз және аккумуляторды қайтадан салыңыз.
Перфоратор не аккумуляторда қатты ыстық пайда болды.	Электрлік ақаулық	▶ Перфораторды бірден өшіріңіз. Аккумуляторды алып тастап, бақылаңыз. Сууға уақыт беріңіз. Hilti қызмет көрсету орталығына хабарласыңыз.
	Перфораторға шамадан тыс жүктеме түсті (қолдану шегінен асты.	▶ Қолдануға жарамды аспапты таңдаңыз.
Аспап бекіткіштен босатылмайды.	Құрал бекіткіші толық тартылмаған.	▶ Құрал құлпын шегіне дейін артқа тартыңыз және құралды шығарыңыз.
Құрал алынбайды.	Перфоратор солға айналу күйіне ауысты.	▶ Оңға/солға айналу ауыстырып-қосқышын оңға айналу күйіне ауыстырыңыз.
	Функцияны таңдау қосқышы «Соққысыз бұрғылау»  күйінде.	▶ Функцияны таңдау қосқышын «Соққымен бұрғылау»  күйіне орнатыңыз.



9 Кәдеге жарату

ЕСКЕРТУ

Қате жолмен кәдеге жаратудан жарақат алу қаупі бар! Газдардың немесе сұйықтықтардың шығуынан денсаулыққа зиян келтіру қаупі бар.

- ▶ Зақымдалған аккумуляторларды жіберуге немесе жөнелтуге болмайды!
- ▶ Қысқа тұйықталуға жол бермеу үшін, қосылымдарды ток өткізбейтін материалмен жауып қойыңыз.
- ▶ Аккумуляторларды балалардың қолына жетпейтіндей етіп кәдеге жаратыңыз.
- ▶ Аккумуляторды **Hilti Store** дүкенінде кәдеге жаратыңыз немесе жергілікті кәдеге жарату кәсіпорнына хабарласыңыз.

Hilti өнімдері қайта өңдеу үшін жарамды көптеген материалдардың санынан тұрады. Кәдеге жарату алдында материалдарды мұқият сұрыптау керек. Көптеген елдерде **Hilti** компаниясы ескі аспаптарды кәдеге жарату үшін қабылдайды. **Hilti** қызмет көрсету орталығынан немесе дилерден сұраңыз.



- ▶ Электр құралдарды, электрондық құрылғылар мен аккумуляторларды тұрмыстық қоқыспен бірге тастамаңыз!

10 RoHS (зиянды заттектердің пайдаланылуын шектеу директивасы)

Төмендегі сілтеме бойынша зиянды заттектердің кестесі келтірілген: qr.hilti.com/r3159232.

RoHS кестесінің сілтемесі осы құжаттаманың соңында QR коды ретінде берілген.

11 Өндіруші кепілдігі

- ▶ Кепілдік шарттары туралы сұрақтарыңыз болса, жергілікті **Hilti** серіктесіне жолығыңыз.

Μετάφραση από τις πρωτότυπες οδηγίες χρήσης

1 Στοιχεία για την τεχνική τεκμηρίωση

1.1 Σχετικά με την παρούσα τεκμηρίωση

- Πριν από την πρώτη θέση σε λειτουργία διαβάστε την παρούσα τεκμηρίωση. Αποτελεί προϋπόθεση για ασφαλή εργασία και απρόσκοπτο χειρισμό.
- Προσέξτε τις υποδείξεις ασφαλείας και προειδοποίησης στην παρούσα τεκμηρίωση και στο προϊόν.
- Φυλάξτε τις οδηγίες χρήσης πάντα στο προϊόν και δίνετε το προϊόν σε άλλα πρόσωπα μόνο μαζί με αυτές τις οδηγίες χρήσης.

1.2 Επεξήγηση συμβόλων

1.2.1 Υποδείξεις προειδοποίησης

Οι υποδείξεις προειδοποίησης προειδοποιούν από κινδύνους κατά την εργασία με το προϊόν. Χρησιμοποιούνται οι ακόλουθες λέξεις επισήμανσης:

ΚΙΝΔΥΝΟΣ

ΚΙΝΔΥΝΟΣ !

- ▶ Για μια άμεσα επικίνδυνη κατάσταση, που οδηγεί σε σοβαρό ή θανατηφόρο τραυματισμό.

ΠΡΟΕΙΔΟΠΟΙΗΣΗ

ΠΡΟΕΙΔΟΠΟΙΗΣΗ !

- ▶ Για μια πιθανά επικίνδυνη κατάσταση, που μπορεί να οδηγήσει σε σοβαρό ή θανατηφόρο τραυματισμό.

ΠΡΟΣΟΧΗ

ΠΡΟΣΟΧΗ !

- ▶ Για μια πιθανόν επικίνδυνη κατάσταση, που ενδέχεται να οδηγήσει σε τραυματισμούς ή υλικές ζημιές.



1.2.2 Σύμβολα στην τεκμηρίωση

Στην παρούσα τεκμηρίωση χρησιμοποιούνται τα ακόλουθα σύμβολα:

	Πριν από τη χρήση διαβάστε τις οδηγίες χρήσης
	Υποδείξεις χρήσης και άλλες χρήσιμες πληροφορίες
	Χειρισμός ανακυκλώσιμων υλικών
	Μην πετάτε τα ηλεκτρικά εργαλεία και τις μπαταρίες στον κάδο οικιακών απορριμμάτων

1.2.3 Σύμβολα σε εικόνες

Στις εικόνες χρησιμοποιούνται τα ακόλουθα σύμβολα:

	Αυτοί οι αριθμοί παραπέμπουν στην εκάστοτε εικόνα στην αρχή αυτών των οδηγιών
	Η αρίθμηση δείχνει τη σειρά των βημάτων εργασίας στην εικόνα και ενδέχεται να διαφέρει από τα βήματα εργασίας στο κείμενο
	Οι αριθμοί θέσης χρησιμοποιούνται στην εικόνα Επισκόπηση και παραπέμπουν στους αριθμούς του υπομνήματος στην ενότητα Συνοπτική παρουσίαση προϊόντος
	Αυτό το σύμβολο έχει σκοπό να επιστήσει ιδιαίτερα την προσοχή σας κατά την εργασία με το προϊόν.

1.3 Σύμβολα ανάλογα με το προϊόν

1.3.1 Σύμβολα στο προϊόν

Στο προϊόν μπορεί να χρησιμοποιούνται τα ακόλουθα σύμβολα:

	Διάτρηση χωρίς κρούση
	Διάτρηση με κρούση (κρουστική διάτρηση)
	Δεξιόστροφη/αριστερόστροφη λειτουργία
	Κατηγορία προστασίας II (διπλής μόνωσης)
	Ονομαστικός αριθμός στροφών χωρίς φορτίο
	Συνεχές ρεύμα
	Επαναφορτιζόμενη μπαταρία Li-Ion
	Σειρά τύπου επαναφορτιζόμενης μπαταρίας Li-Ion Hilti . Προσέξτε τα στοιχεία στο κεφάλαιο Κατάλληλη χρήση .
	Μην χρησιμοποιείτε την επαναφορτιζόμενη μπαταρία ποτέ ως κρουστικό εργαλείο.
	Μην αφήνετε την επαναφορτιζόμενη μπαταρία να πέσει κάτω. Μην χρησιμοποιείτε μια επαναφορτιζόμενη μπαταρία, η οποία έχει δεχτεί χτύπημα ή έχει υποστεί ζημιά με διαφορετικό τρόπο.
	Το εργαλείο υποστηρίζει τεχνολογία NFC, που είναι συμβατή με πλατφόρμες iOS και Android.

1.4 Πληροφορίες προϊόντος

Τα προϊόντα της προορίζονται για τον επαγγελματία χρήστη και ο χειρισμός, η συντήρηση και η επισκευή τους επιτρέπεται μόνο από εξουσιοδοτημένο, ενημερωμένο προσωπικό. Το προσωπικό αυτό πρέπει να έχει ενημερωθεί ειδικά για τους κινδύνους που ενδέχεται να παρουσιαστούν. Από το προϊόν και τα βοηθητικά του μέσα ενδέχεται να προκληθούν κίνδυνοι, όταν ο χειρισμός τους γίνεται με ακατάλληλο τρόπο από μη εκπαιδευμένο προσωπικό ή όταν δεν χρησιμοποιούνται με κατάλληλο τρόπο.

Η περιγραφή τύπου και ο αριθμός σειράς αναγράφονται στην πινακίδα τύπου.



- ▶ Αντιγράψτε τον αριθμό σειράς στον ακόλουθο πίνακα. Θα χρειαστείτε τα στοιχεία προϊόντος για ερωτήματα προς την αντιπροσωπεία μας ή το σέρβις μας.

Στοιχεία προϊόντος

Κρουστικό δράπανο	TE 4-A22
Γενιά	02
Αρ. σειράς	

1.5 Δήλωση συμμόρφωσης

Δηλώνουμε ως μόνοι υπεύθυνοι, ότι το προϊόν που περιγράφεται εδώ συμφώνει με τις ισχύουσες οδηγίες και τα ισχύοντα πρότυπα. Ένα αντίγραφο της δήλωσης συμμόρφωσης υπάρχει στο τέλος αυτής της τεκμηρίωσης. Τα έγγραφα τεχνικής τεκμηρίωσης υπάρχουν εδώ:

HiltiEntwicklungsgesellschaft mbH | Zulassung Geräte | Hiltistraße 6 | 86916 Kaufering, DE

2 Ασφάλεια

2.1 Γενικές υποδείξεις για την ασφάλεια για ηλεκτρικά εργαλεία

⚠ ΠΡΟΕΙΔΟΠΟΙΗΣΗ! Διαβάστε όλες τις υποδείξεις για την ασφάλεια και τις οδηγίες. Η παράβλεψη των υποδείξεων ασφαλείας και των οδηγιών μπορεί να προκαλέσει ηλεκτροπληξία, πυρκαγιά και/ή σοβαρούς τραυματισμούς.

Φυλάξτε όλες τις υποδείξεις για την ασφάλεια και τις οδηγίες για μελλοντική χρήση.

Ασφάλεια χώρου εργασίας

- ▶ Διατηρείτε το χώρο εργασίας σας καθαρό και με καλό φωτισμό. Η αταξία στο χώρο εργασίας και οι μη φωτισμένες περιοχές μπορεί να οδηγήσουν σε ατυχήματα.
- ▶ Μην εργάζεστε με το ηλεκτρικό εργαλείο σε περιβάλλον επικίνδυνο για εκρήξεις, στο οποίο υπάρχουν εύφλεκτα υγρά, αέρια ή σκόνη. Από τα ηλεκτρικά εργαλεία δημιουργούνται σπινθήρες, οι οποίοι μπορεί να αναφλέξουν τη σκόνη ή τις αναθυμιάσεις.
- ▶ Κατά τη χρήση του ηλεκτρικού εργαλείου κρατάτε μακριά τα παιδιά και άλλα πρόσωπα. Εάν σας αποσπάσουν την προσοχή, μπορεί να χάσετε τον έλεγχο του εργαλείου.

Ηλεκτρική ασφάλεια

- ▶ Αποφύγετε τη σωματική επαφή με γειωμένες επιφάνειες όπως σωλήνες, καλωδιάρια, κουζίνες και ψυγεία. Υπάρχει αυξημένος κίνδυνος ηλεκτροπληξίας, όταν το σώμα σας είναι γειωμένο.
- ▶ Μην εκθέτετε τα ηλεκτρικά εργαλεία σε βροχή ή σε υγρασία. Η εισχώρηση νερού στο ηλεκτρικό εργαλείο αυξάνει τον κίνδυνο ηλεκτροπληξίας.

Ασφάλεια προσώπων

- ▶ Να είσαστε πάντα προσεκτικοί, να προσέχετε τι κάνετε και να εργάζεστε με το ηλεκτρικό εργαλείο με περίσκεψη. Μην χρησιμοποιείτε ηλεκτρικά εργαλεία, όταν είστε κουρασμένοι ή όταν βρίσκεστε υπό την επήρεια ναρκωτικών ουσιών, οινοπνεύματος ή φαρμάκων. Μία στιγμή απροσεξίας κατά τη χρήση του ηλεκτρικού εργαλείου μπορεί να οδηγήσει σε σοβαρούς τραυματισμούς.
- ▶ Φοράτε προσωπικό εξοπλισμό προστασίας και πάντα προστατευτικά γυαλιά. Φορώντας προσωπικό εξοπλισμό προστασίας, όπως μάσκα προστασίας από τη σκόνη, αντιολισθητικά υποδήματα ασφαλείας, προστατευτικό κράνος ή ωτοασπίδες, ανάλογα με το είδος και τη χρήση του ηλεκτρικού εργαλείου, μειώνεται ο κίνδυνος τραυματισμών.
- ▶ Αποφύγετε την ακούσια θέση σε λειτουργία του εργαλείου. Βεβαιωθείτε ότι είναι απενεργοποιημένο το ηλεκτρικό εργαλείο, πριν το συνδέσετε στην επαναφορτιζόμενη μπαταρία, πριν το πάσετε ή το μεταφέρετε. Εάν μεταφέροντας το ηλεκτρικό εργαλείο έχετε το δάκτυλό σας στον διακόπτη ή συνδέσετε το εργαλείο στο ρεύμα ενώ ο διακόπτης είναι στο ON, μπορεί να προκληθούν ατυχήματα.
- ▶ Απομακρύνετε τα εργαλεία ρύθμισης ή τα κλειδιά από το ηλεκτρικό εργαλείο, πριν το θέσετε σε λειτουργία. Ένα εργαλείο ή κλειδί που βρίσκεται σε κάποιο περιστρεφόμενο εξάρτημα του ηλεκτρικού εργαλείου, μπορεί να προκαλέσει τραυματισμούς.
- ▶ Αποφύγετε τις αφύσικες στάσεις του σώματος. Φροντίστε για την ασφαλή στήριξη του σώματός σας και διατηρείτε πάντα την ισορροπία σας. Έτσι μπορείτε να ελέγχετε καλύτερα το ηλεκτρικό εργαλείο σε μη αναμενόμενες καταστάσεις.
- ▶ Φοράτε κατάλληλα ρούχα. Μην φοράτε φαρδιά ρούχα ή κοσμήματα. Κρατάτε τα μαλλιά, τα ρούχα και τα γάντια μακριά από περιστρεφόμενα εξαρτήματα. Τα φαρδιά ρούχα, τα κοσμήματα ή τα μακριά μαλλιά μπορεί να παγιδευτούν από περιστρεφόμενα εξαρτήματα.



- ▶ Εάν υπάρχει η δυνατότητα σύνδεσης συστημάτων αναρρόφησης και συλλογής σκόνης, βεβαιωθείτε ότι είναι συνδεδεμένα και ότι χρησιμοποιούνται σωστά. Η χρήση συστήματος αναρρόφησης σκόνης μπορεί να μειώσει τους κινδύνους που προέρχονται από τη σκόνη.

Χρήση και αντιμετώπιση του ηλεκτρικού εργαλείου

- ▶ Μην υπερφορτίζετε το εργαλείο. Χρησιμοποιείτε για την εργασία σας το ηλεκτρικό εργαλείο που προορίζεται για αυτήν. Με το κατάλληλο ηλεκτρικό εργαλείο εργάζεστε καλύτερα και με μεγαλύτερη ασφάλεια στην αναφερόμενη περιοχή ισχύος.
- ▶ Μην χρησιμοποιείτε ποτέ ένα ηλεκτρικό εργαλείο, ο διακόπτης του οποίου είναι χαλασμένος. Ένα ηλεκτρικό εργαλείο το οποίο δεν μπορεί να τεθεί πλέον σε λειτουργία ή εκτός λειτουργίας είναι επικίνδυνο και πρέπει να επισκευαστεί.
- ▶ Απομακρύνετε την μπαταρία πριν διεξάγετε ρυθμίσεις στο εργαλείο, αντικαταστήσετε αξεσουάρ ή αποθηκεύσετε το εργαλείο. Αυτό το προληπτικό μέτρο ασφαλείας αποτρέπει την ακούσια εκκίνηση του ηλεκτρικού εργαλείου.
- ▶ Φυλάτε τα ηλεκτρικά εργαλεία που δεν χρησιμοποιείτε μακριά από παιδιά. Μην αφήνετε να χρησιμοποιήσουν το εργαλείο άτομα που δεν είναι εξοικειωμένα με αυτό ή που δεν έχουν διαβάσει τις οδηγίες χρήσης. Τα ηλεκτρικά εργαλεία είναι επικίνδυνα, όταν χρησιμοποιούνται από άπειρα πρόσωπα.
- ▶ Φροντίζετε σχολαστικά τα ηλεκτρικά εργαλεία. Ελέγχετε, εάν τα κινούμενα μέρη λειτουργούν άψογα και δεν μπλοκάρουν, εάν έχουν σπάσει κάποια εξαρτήματα ή έχουν υποστεί τέτοια ζημιά ώστε να επηρεάζεται αρνητικά η λειτουργία του ηλεκτρικού εργαλείου. Δώστε τα χαλασμένα εξαρτήματα για επισκευή πριν χρησιμοποιήσετε ξανά το εργαλείο. Πολλά ατυχήματα οφείλονται σε κακά συντηρημένα ηλεκτρικά εργαλεία.
- ▶ Διατηρείτε τα εξαρτήματα κοπής αιχμηρά και καθαρά. Τα σχολαστικά συντηρημένα εξαρτήματα κοπής με αιχμηρές ακμές κολλάνε σπανιότερα και καθοδηγούνται με μεγαλύτερη ευκολία.
- ▶ Χρησιμοποιείτε το ηλεκτρικό εργαλείο, τα αξεσουάρ, τα εργαλεία ρύθμισης κτλ. σύμφωνα με τις παρούσες οδηγίες. Λαμβάνετε ταυτόχρονα υπόψη τις συνθήκες εργασίας και την προς εκτέλεση εργασία. Η χρήση ηλεκτρικών εργαλείων για εργασίες διαφορετικές από τις προβλεπόμενες μπορεί να οδηγήσει σε επικίνδυνες καταστάσεις.

Χρήση και αντιμετώπιση του επαναφορτιζόμενου εργαλείου

- ▶ Φορτίζετε τις μπαταρίες μόνο με φορτιστές που προτείνονται από τον κατασκευαστή. Υπάρχει κίνδυνος πυρκαγιάς σε φορτιστές που είναι κατάλληλοι για ένα συγκεκριμένο είδος μπαταριών, όταν χρησιμοποιούνται με άλλες μπαταρίες.
- ▶ Χρησιμοποιείτε μόνο τις προβλεπόμενες για τα ηλεκτρικά εργαλεία επαναφορτιζόμενες μπαταρίες. Η χρήση άλλων μπαταριών μπορεί να προκαλέσει τραυματισμούς και κίνδυνο πυρκαγιάς.
- ▶ Κρατήστε τις μπαταρίες που δεν χρησιμοποιείτε μακριά από συνδετήρες, κέρματα, κλειδιά, καρφιά, βίδες και άλλα μεταλλικά μικροαντικείμενα, που θα μπορούσαν να προκαλέσουν γεφύρωση των επαφών. Ένα βραχυκύκλωμα μεταξύ των επαφών της μπαταρίας μπορεί να έχει ως συνέπεια εγκαύματα ή πυρκαγιά.
- ▶ Σε περίπτωση λανθασμένης χρήσης μπορούν να διαρρεύσουν υγρά από την μπαταρία. Αποφεύγετε κάθε είδους επαφή. Τα υγρά της μπαταρίας ενδέχεται να προκαλέσουν ερεθισμούς ή εγκαύματα στο δέρμα. Σε περίπτωση ακούσιας επαφής, ξεπλύνετε με νερό. Εάν τα υγρά έρθουν σε επαφή με τα μάτια σας, επισκεφθείτε επιπρόσθετα ένα γιατρό.

Σέρβις

- ▶ Αναθέτετε την επισκευή του ηλεκτρικού εργαλείου μόνο σε κατάλληλο εξειδικευμένο προσωπικό με χρήση μόνο γνήσιων ανταλλακτικών. Με αυτόν τον τρόπο διασφαλίζεται ότι θα διατηρηθεί η ασφάλεια του ηλεκτρικού εργαλείου.

2.2 Πρόσθετες υποδείξεις για την ασφάλεια - Πιστολέτο

Ασφάλεια προσώπων

- ▶ Χρησιμοποιείτε το προϊόν και τα αξεσουάρ μόνο σε τεχνικά άψογη κατάσταση.
- ▶ Μην πραγματοποιείτε ποτέ παραποιήσεις ή μετατροπές στο προϊόν ή σε αξεσουάρ.
- ▶ Χρησιμοποιείτε τις πρόσθετες χειρολαβές που παραλάβατε μαζί με το προϊόν. Η απώλεια του ελέγχου μπορεί να προκαλέσει τραυματισμούς.
- ▶ Στις εργασίες διαμπερούς διάτρησης απομονώστε την περιοχή που βρίσκεται πίσω από το σημείο που εργάζεστε. Μπορεί να πέσουν κομμάτια και να τραυματίσουν άλλα άτομα.
- ▶ Συγκρατείτε το προϊόν πάντα και με τα δύο χέρια από τις προβλεπόμενες χειρολαβές. Διατηρείτε τις χειρολαβές στεγνές και καθαρές.
- ▶ Κρατάτε το προϊόν από τις μονωμένες επιφάνειες συγκράτησης, όταν εκτελείτε εργασίες κατά τις οποίες το ηλεκτρικό εργαλείο ενδέχεται να έρθει σε επαφή με καλυμμένα ηλεκτρικά καλώδια. Η επαφή με



καλώδιο που βρίσκεται υπό τάση μπορεί να θέσει υπό τάση ακόμη και τα μεταλλικά μέρη του εργαλείου και να προκαλέσει ηλεκτροπληξία.

- ▶ Αποφύγετε να ακουμπάτε περιστρεφόμενα εξαρτήματα - Κίνδυνος τραυματισμού!
- ▶ Φοράτε κατά τη χρήση του προϊόντος γυαλιά, προστατευτικό κράνος, ωτοασπίδες και κατάλληλη μάσκα προστασίας της αναπνοής.
- ▶ Φοράτε προστατευτικά γάντια κατά την αντικατάσταση εξαρτημάτων. Η επαφή με το εξάρτημα μπορεί να προκαλέσει τραυματισμό από κοπή και εγκαύματα.
- ▶ Χρησιμοποιείτε προστατευτικά γυαλιά. Τα θραύσματα του υλικού μπορεί να προκαλέσουν τραυματισμούς στο σώμα και στα μάτια.
- ▶ Η σκόνη, η οποία σχηματίζεται κατά τη λείανση, το γυαλοχαρτάρισμα, την κοπή και τη διάτρηση ενδέχεται να περιέχει επικίνδυνες χημικές ουσίες. Ορισμένα παραδείγματα είναι: Μόλυβδος ή χρώματα με βάση μόλυβδο, Τούβλα, μπετόν και άλλα προϊόντα τοιχοποιίας, φυσικές πέτρες και άλλα προϊόντα που περιέχουν πυρίτιο, Συγκεκριμένα ξύλα, όπως δρυς, οξιά και χημικά επεξεργασμένα ξύλα, Αμιάντος ή υλικά που περιέχουν αμιάντο. Προσδιορίστε την έκθεση του χειριστή και των παρακείμενων προσώπων από την κατηγορία κινδύνου των υλικών, με τα οποία εργάζεστε. Λάβετε τα αναγκαία μέτρα για τη διατήρηση της έκθεσης σε ένα ασφαλές επίπεδο, όπως π.χ. χρησιμοποιώντας ένα σύστημα συλλογής σκόνης ή μια κατάλληλη μάσκα προστασίας της αναπνοής. Στα γενικά μέτρα για τη μείωση της έκθεσης ανήκουν τα εξής:
 - ▶ Εργασία σε μια περιοχή με καλό αερισμό,
 - ▶ Αποφυγή παρατεταμένης επαφής με σκόνη,
 - ▶ Καθοδήγηση σκόνης μακριά από το πρόσωπο και το σώμα,
 - ▶ Χρήση προστατευτικής ένδυσης και πλύσιμο των εκτεθειμένων περιοχών με νερό και σαπούνι.
- ▶ Κάνετε συχνά διαλείμματα και ασκήσεις για καλύτερη αιμάτωση των δακτύλων σας. Σε παρατεταμένη εργασία ενδέχεται να προκληθούν από έντονους κραδασμούς προβλήματα σε αιμοφόρα αγγεία ή στο νευρικό σύστημα στα δάχτυλα, στα χέρια ή στις αρθρώσεις των χεριών.

Ηλεκτρική ασφάλεια

- ▶ Ελέγξτε την περιοχή εργασίας πριν από την έναρξη της εργασίας για καλυμμένα ηλεκτρικά καλώδια, σωλήνες αερίου και ύδρευσης. Από εξωτερικά μεταλλικά μέρη στο προϊόν μπορεί να προκληθεί ηλεκτροπληξία, ή έκρηξη, εάν κατά λάθος προκαλέσετε ζημιά σε ηλεκτρικό καλώδιο, σε σωλήνα αερίου ή σωλήνα νερού.

Επιμελής χειρισμός και χρήση ηλεκτρικών εργαλείων

- ▶ Απενεργοποιήστε αμέσως το προϊόν, όταν το εξάρτημα κολλήσει. Το προϊόν μπορεί να εκτραπεί προς το πλάι.
- ▶ Περιμένετε μέχρι να σταματήσει το προϊόν, πριν το αποθέσετε.

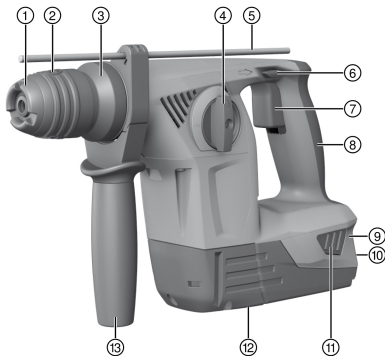
2.3 Επιμελής χειρισμός και χρήση επαναφορτιζόμενων μπαταριών

- ▶ Προσέξτε τις ειδικές οδηγίες για τη μεταφορά, την αποθήκευση και τη λειτουργία των επαναφορτιζόμενων μπαταριών Li-Ion.
- ▶ Κρατάτε τις επαναφορτιζόμενες μπαταρίες μακριά από υψηλές θερμοκρασίες, άμεση ηλιακή ακτινοβολία και φωτιά.
- ▶ Δεν επιτρέπεται να αποσυναρμολογείτε, να συμπιέζετε, να θερμαίνετε πάνω από τους 80°C (176°F) ή να καίτε τις επαναφορτιζόμενες μπαταρίες.
- ▶ Μην χρησιμοποιείτε και μην φορτίζετε επαναφορτιζόμενες μπαταρίες, που έχουν χτυπηθεί, έχουν πέσει από ύψος μεγαλύτερο του ενός μέτρου ή έχουν υποστεί άλλου είδους ζημιά. Επικοινωνείτε σε αυτή την περίπτωση πάντα με το **σέρβις** της **Hilti**.
- ▶ Εάν η μπαταρία καίει υπερβολικά όταν την ακουμπάτε, ενδέχεται να έχει υποστεί ζημιά. Τοποθετήστε την μπαταρία σε ένα σημείο στο οποίο έχετε ορατότητα, μη εύφλεκτο και με επαρκή απόσταση από εύφλεκτα υλικά. Αφήστε την επαναφορτιζόμενη μπαταρία να κρυώσει. Εάν η μπαταρία εξακολουθεί να καίει υπερβολικά μετά από μία ώρα όταν την ακουμπάτε, τότε έχει υποστεί ζημιά. Επικοινωνήστε με το **σέρβις** της **Hilti**.



3 Περιγραφή

3.1 Εξαρτήματα εργαλείου, χειριστήρια και ενδείξεις



- ① Προφυλακτήρας σκόνης
- ② Τσοκ
- ③ Απασφάλιση εξαρτημάτων
- ④ Διακόπτης επιλογής λειτουργίας
- ⑤ Οδηγός βάθους διάτρησης
- ⑥ Διακόπτης εναλλαγής δεξιόστροφης/αριστερόστροφης λειτουργίας με κλειδίωμα
- ⑦ Διακόπτης ελέγχου
- ⑧ Χειρολαβή
- ⑨ Επαναφορτιζόμενη μπαταρία
- ⑩ Ένδειξη κατάστασης φόρτισης και βλαβών (επαναφορτιζόμενη μπαταρία Li-Ion)
- ⑪ Κουμπιά απασφάλισης για επαναφορτιζόμενη μπαταρία
- ⑫ Σύνδεση για μονάδα αναρρόφησης σκόνης TE DRS-4-A(01)
- ⑬ Πλαϊνή χειρολαβή

3.2 Κατάλληλη χρήση

Το περιγραφόμενο προϊόν είναι ένα επαναφορτιζόμενο κρουστικό δράπανο. Προορίζεται για διάτρηση σε χάλυβα, ξύλο και τοιχοποιία, για κρουστική διάτρηση σε μπετόν και τοιχοποιία και για βίδωμα και ξεβίδωμα βιδών.

- Χρησιμοποιείτε για αυτό το προϊόν μόνο τις επαναφορτιζόμενες μπαταρίες Li-Ion της σειράς τύπου B 22.
- Χρησιμοποιείτε για αυτές τις επαναφορτιζόμενες μπαταρίες μόνο φορτιστές εγκεκριμένους από τη **Hilti**. Περισσότερες πληροφορίες θα βρείτε στο **Hilti Store** ή στη διεύθυνση: www.hilti.group

3.3 Ένδειξη επαναφορτιζόμενης μπαταρίας Li-Ion

Όταν χρησιμοποιείτε επαναφορτιζόμενες μπαταρίες Li-Ion μπορείτε να δείτε την κατάσταση φόρτισης πιέζοντας κάποιο από τα πλήκτρα απασφάλισης.

Κατάσταση	Σημασία
4 LED αναμμένα.	Κατάσταση φόρτισης: 75 % έως 100%
3 LED αναμμένα.	Κατάσταση φόρτισης: 50 % έως 75%
2 LED αναμμένα.	Κατάσταση φόρτισης: 25 % έως 50%
1 LED αναμμένο.	Κατάσταση φόρτισης: 10 % έως 25%
1 LED αναβοσβήνει.	Κατάσταση φόρτισης: < 10 %

Κατά την εργασία και αμέσως μετά την εργασία δεν είναι δυνατή η εμφάνιση της κατάστασης φόρτισης. Όταν αναβοσβήνουν τα LED της ένδειξης κατάστασης φόρτισης της μπαταρίας, προσέξτε τις υποδείξεις στο κεφάλαιο Αναζήτηση βλαβών.



3.4 Έκταση παράδοσης

Κρουστικό δράπανο, πλαϊνή χειρολαβή, οδηγός βάθους, οδηγίες χρήσης.

Η μονάδα αναρρόφησης σκόνης TE DRS-4-A (01) διατίθεται ως αξεσουάρ για εργασία χωρίς σκόνη.

Περισσότερα, εγκεκριμένα για το προϊόν σας συστήματα θα βρείτε στο **Hilti Store** ή στη διεύθυνση: www.hilti.group

4 Τεχνικά χαρακτηριστικά

4.1 Κρουστικό δράπανο

	TE 4-A22
Βάρος κατά EPTA Procedure 01 συμπερ. επαναφορτιζόμενης μπαταρίας B228.0	3,9 kg
Ενέργεια μίας κρούσης σύμφωνα με EPTA-Procedure 05/2009	2 J
Περιοχή διάτρησης σε μπετόν/τόιχο (κρουστική διάτρηση)	4 mm ... 28 mm
Περιοχή διάτρησης σε ξύλο (μασίφ τρυπάνι)	3 mm ... 20 mm
Περιοχή διάτρησης σε μέταλλο (μασίφ τρυπάνι)	3 mm ... 10 mm

4.2 Πληροφορίες θορύβου και τιμές κραδασμών

Οι αναφερόμενες στις παρούσες οδηγίες τιμές ηχητικής πίεσης και κραδασμών έχουν μετρηθεί σύμφωνα με μια τυποποιημένη μέθοδο μέτρησης και μπορούν να χρησιμοποιηθούν για τη σύγκριση μεταξύ ηλεκτρικών εργαλείων. Είναι επίσης κατάλληλες για πρόχειρη εκτίμηση των εκθέσεων. Τα αναφερόμενα στοιχεία αντιπροσωπεύουν τις κύριες εφαρμογές του ηλεκτρικού εργαλείου. Εάν ωστόσο το ηλεκτρικό εργαλείο χρησιμοποιηθεί σε άλλες εφαρμογές, με διαφορετικά εξαρτήματα ή με ελλιπή συντήρηση, ενδέχεται να διαφέρουν τα στοιχεία. Το γεγονός αυτό μπορεί να αυξήσει σημαντικά τις εκθέσεις σε όλη τη διάρκεια του χρόνου εργασίας. Για μια ακριβής εκτίμηση της έκθεσης θα πρέπει να συνυπολογίζονται και οι χρόνοι, στους οποίους είναι απενεργοποιημένο το εργαλείο ή λειτουργεί μεν, αλλά δεν χρησιμοποιείται πραγματικά. Το γεγονός αυτό μπορεί να μειώσει σημαντικά τις εκθέσεις σε όλη τη διάρκεια του χρόνου εργασίας. Καθορίστε πρόσθετα μέτρα ασφαλείας για την προστασία του χρήστη από την επίδραση του θορύβου και/ή των κραδασμών, όπως για παράδειγμα: Συντήρηση ηλεκτρικού εργαλείου και εξαρτημάτων, διατήρηση χεριών σε κανονική θερμοκρασία, οργάνωση των σταδίων εργασίας.

Τιμές εκπομπής θορύβου υπολογισμένες κατά EN 60745

Επίπεδο στάθμης ήχου (L_{WA})	99 dB(A)
Ανακρίβεια επιπέδου στάθμης ήχου (K_{WA})	3 dB(A)
Επίπεδο ηχητικής πίεσης (L_{pA})	88 dB(A)
Ανακρίβεια επιπέδου ηχητικής πίεσης (K_{pA})	3 dB(A)

Συνολικές τιμές κραδασμών υπολογισμένες κατά EN 60745

Κρουστική διάτρηση σε μπετόν ($a_{h, HD}$)	11 m/s ²
Ανακρίβεια (K)	1,5 m/s ²

4.3 Επαναφορτιζόμενη μπαταρία

Τάση λειτουργίας επαναφορτιζόμενης μπαταρίας	21,6 V
Θερμοκρασία περιβάλλοντος κατά τη λειτουργία	-17 °C ... 60 °C
Θερμοκρασία αποθήκευσης	-20 °C ... 40 °C
Θερμοκρασία μπαταρίας στην έναρξη φόρτισης	-10 °C ... 45 °C



5 Χειρισμός

5.1 Προετοιμασία εργασίας

ΠΡΟΕΙΔΟΠΟΙΗΣΗ

Κίνδυνος τραυματισμού από ακούσια έναρξη λειτουργίας!

- ▶ Βεβαιωθείτε ότι το σχετικό προϊόν είναι εκτός λειτουργίας, πριν τοποθετήσετε την επαναφορτιζόμενη μπαταρία.
- ▶ Αφαιρέστε την μπαταρία, πριν πραγματοποιήσετε ρυθμίσεις στο εργαλείο ή αντικαταστήσετε αξεσουάρ.

Προσέξτε τις υποδείξεις ασφαλείας και προειδοποίησης στην παρούσα τεκμηρίωση και στο προϊόν.

5.1.1 Τοποθέτηση πλαϊνής χειρολαβής

1. Περιστρέψτε τη λαβή, για να λασκάρετε το στήριγμα (σφιγκτήρας) της πλαϊνής χειρολαβής.
2. Σπρώξτε το στήριγμα (σφιγκτήρας) από μπροστά επάνω από το τσοκ μέχρι την προβλεπόμενη εγκοπή.
3. Τοποθετήστε την πλαϊνή χειρολαβή στην επιθυμητή θέση.
4. Περιστρέψτε τη λαβή, για να σφίξετε το στήριγμα (σφιγκτήρας) της πλαϊνής χειρολαβής.

5.1.2 Τοποθέτηση μπαταρίας

1. Τοποθετήστε την επαναφορτιζόμενη μπαταρία στη βάση του εργαλείου, μέχρι να κουμπώσει αισθητά.
2. Βεβαιωθείτε ότι εδράζει καλά η μπαταρία.

5.1.3 Αφαίρεση επαναφορτιζόμενης μπαταρίας

1. Πατήστε τα πλήκτρα απασφάλισης της μπαταρίας.
2. Αφαιρέστε την επαναφορτιζόμενη μπαταρία τραβώντας τη προς τα πίσω.

5.1.4 Τοποθέτηση εξαρτήματος

1. Γρασάρετε ελαφρά την απόληξη του εξαρτήματος.
 - ▶ Χρησιμοποιείτε μόνο γνήσιο γράσο της Hilti. Από λάθος γράσο μπορεί να υποστεί ζημιές το εργαλείο.
2. Τοποθετήστε το εξάρτημα μέχρι να τερματίσει στο τσοκ και αφήστε το να κουμπώσει.
3. Τραβώντας το εξάρτημα, ελέγξτε μετά την τοποθέτηση, εάν έχει ασφαλίσει σωστά.
 - ▶ Το προϊόν είναι σε ετοιμότητα λειτουργίας.

5.1.5 Αφαίρεση εξαρτήματος

ΠΡΟΣΟΧΗ

Κίνδυνος τραυματισμού από εξάρτημα! Το εξάρτημα μπορεί καίει ή να είναι αιχμηρό.

- ▶ Φοράτε προστατευτικά γάντια κατά την αντικατάσταση του εξαρτήματος.
- ▶ Τραβήξτε πίσω μέχρι τον αναστολέα τον μηχανισμό ασφάλισης εξαρτημάτων και αφαιρέστε το εξάρτημα.

5.1.6 Τοποθέτηση οδηγού βάθους (προαιρετικά)

1. Περιστρέψτε τη λαβή, για να λασκάρετε το στήριγμα (σφιγκτήρας) της πλαϊνής χειρολαβής.
2. Σπρώξτε τον οδηγό βάθους από μπροστά στις προβλεπόμενες 2 οπές-οδηγούς.
3. Περιστρέψτε τη λαβή, για να σφίξετε το στήριγμα (σφιγκτήρας) της πλαϊνής χειρολαβής.

5.2 Εργασία

ΠΡΟΣΟΧΗ

Κίνδυνος ζημιάς από λάθος χειρισμό!

- ▶ Μην χειρίζεστε τον διακόπτη για τη φορά περιστροφής ή/και την επιλογή λειτουργίας κατά τη λειτουργία.

Προσέξτε τις υποδείξεις ασφαλείας και προειδοποίησης στην παρούσα τεκμηρίωση και στο προϊόν.

5.2.1 Φορά περιστροφής

- ▶ Ρυθμίστε τη φορά περιστροφής.
 - ▶ Ο διακόπτης κουμπώνει σε αυτή τη θέση.



5.2.2 Διάτρηση χωρίς κρούση

- ▶ Θέστε τον διακόπτη επιλογής λειτουργίας σε αυτό το σύμβολο:

5.2.3 Διάτρηση με κρούση

- ▶ Θέστε τον διακόπτη επιλογής λειτουργίας σε αυτό το σύμβολο:

6 Φροντίδα και συντήρηση

6.1 Φροντίδα και συντήρηση



ΠΡΟΕΙΔΟΠΟΙΗΣΗ

Κίνδυνος τραυματισμού από τοποθετημένη μπαταρία !

- ▶ Πριν από κάθε εργασία φροντίδας και συντήρησης αφαιρείτε πάντα την μπαταρία!

Φροντίδα του προϊόντος

- Απομακρύνετε με προσοχή τους ρύπους που έχουν επικαθίσει.
- Εφόσον υπάρχουν, καθαρίζετε τις σχισμές αερισμού προσεκτικά με μια στεγνή, μαλακή βούρτσα.
- Καθαρίζετε το περίβλημα μόνο με ένα ελαφρώς βρεγμένο πανί. Μην χρησιμοποιείτε υλικά φροντίδας με περιεκτικότητα σε σιλικόνη, διότι ενδέχεται να προσβάλλουν τα πλαστικά μέρη.
- Χρησιμοποιήστε ένα καθαρό, στεγνό πανί, για να καθαρίσετε τις επαφές του προϊόντος.

Φροντίδα επαναφορτιζόμενων μπαταριών Li-Ion

- Μην χρησιμοποιείτε ποτέ μια επαναφορτιζόμενη μπαταρία με βουλωμένες σχισμές αερισμού. Καθαρίζετε τις σχισμές αερισμού προσεκτικά με μια στεγνή, μαλακή βούρτσα.
- Αποφύγετε την άσκοπη έκθεση της επαναφορτιζόμενης μπαταρίας σε σκόνη ή ρύπους. Μην εκθέτετε ποτέ την επαναφορτιζόμενη μπαταρία σε μεγάλη υγρασία (π.χ. βύθιση σε νερό ή παραμονή σε βροχή). Εάν έχει βραχεί μια επαναφορτιζόμενη μπαταρία, αντιμετωπίστε την όπως μια μπαταρία που έχει υποστεί ζημιά. Απομονώστε τη σε ένα μη εύφλεκτο δοχείο και απευθυνθείτε στο σέρβις της **Hilti**.
- Διατηρείτε την άσκοπη έκθεση της επαναφορτιζόμενης μπαταρίας καθαρή από ξένα λάδια και γράσα. Μην επιτρέπετε να συγκεντρώνονται άσκοπα σκόνες ή ρύποι στην επαναφορτιζόμενη μπαταρία. Καθαρίζετε την επαναφορτιζόμενη μπαταρία με μια στεγνή, μαλακή βούρτσα ή ένα καθαρό, στεγνό πανί. Μην χρησιμοποιείτε υλικά φροντίδας με περιεκτικότητα σε σιλικόνη, διότι ενδέχεται να προσβάλλουν τα πλαστικά μέρη.
Μην ακουμπάτε τις επαφές της επαναφορτιζόμενης μπαταρίας και μην απομακρύνετε από τις επαφές το εργοστασιακό γράσο.
- Καθαρίζετε το περίβλημα μόνο με ένα ελαφρώς βρεγμένο πανί. Μην χρησιμοποιείτε υλικά φροντίδας με περιεκτικότητα σε σιλικόνη, διότι ενδέχεται να προσβάλλουν τα πλαστικά μέρη.

Συντήρηση

- Ελέγχετε τακτικά όλα τα ορατά μέρη για τυχόν ζημιές και την άψογη λειτουργία όλων των χειριστηρίων.
- Μην χρησιμοποιείτε το προϊόν σε περίπτωση ζημιών ή/και δυσλειτουργιών. Αναθέστε άμεσα την επισκευή του προϊόντος στο σέρβις της **Hilti**.
- Μετά από εργασίες φροντίδας και συντήρησης, τοποθετήστε όλα τα συστήματα προστασίας και ελέγξτε την απόρροια λειτουργία τους.



Για μια ασφαλή λειτουργία χρησιμοποιείτε μόνο γνήσια ανταλλακτικά και αναλώσιμα. Εγκεκριμένα από τη **Hilti** ανταλλακτικά, αναλώσιμα και αξεσουάρ για το προϊόν σας θα βρείτε στο πλησιέστερο **Hilti Store** ή στη διεύθυνση: www.hilti.group

6.2 Καθαρισμός του προφυλακτήρα σκόνης

- ▶ Καθαρίζετε τακτικά τον προφυλακτήρα σκόνης στο τσοκ με ένα καθαρό, στεγνό πανί.
- ▶ Σκουπίστε προσεκτικά το στεγανοποιητικό χείλος και επαλείψτε το ξανά ελαφρά με γράσο της **Hilti**.
- ▶ Πρέπει να αντικαταστήσετε οπισθόητο τον προφυλακτήρα σκόνης σε περίπτωση που έχει υποστεί ζημιά το στεγανοποιητικό χείλος.



7 Μεταφορά και αποθήκευση

7.1 Μεταφορά και αποθήκευση επαναφορτιζόμενων εργαλείων και επαναφορτιζόμενων μπαταριών

Μεταφορά

ΠΡΟΣΟΧΗ

Ακούσια ενεργοποίηση κατά τη μεταφορά !

- ▶ Μεταφέρετε τα προϊόντα σας πάντα χωρίς τις μπαταρίες τοποθετημένες!
- ▶ Αφαιρέστε την/τις επαναφορτιζόμενες μπαταρίες.
- ▶ Μην μεταφέρετε επαναφορτιζόμενες μπαταρίες ποτέ χύδην. Κατά τη μεταφορά θα πρέπει οι επαναφορτιζόμενες μπαταρίες να προστατεύονται από υπερβολικές κρούσεις και δονήσεις και να απομονώνονται από κάθε είδους αγωγή υλικά ή άλλες επαναφορτιζόμενες μπαταρίες, ώστε να μην έρθουν σε επαφή με άλλους πόλους μπαταριών και προκληθεί βραχυκύκλωμα. **Λάβετε υπόψη τις τοπικές προδιαγραφές μεταφοράς για επαναφορτιζόμενες μπαταρίες.**
- ▶ Δεν επιτρέπεται η αποστολή επαναφορτιζόμενων μπαταριών μέσω ταχυδρομείου. Απευθυνθείτε σε μια μεταφορική εταιρεία, όταν θέλετε να αποστείλετε άθικτες επαναφορτιζόμενες μπαταρίες.
- ▶ Ελέγχετε το προϊόν και τις επαναφορτιζόμενες μπαταρίες για τυχόν ζημιές πριν από κάθε χρήση καθώς και πριν και μετά από μεγαλύτερης διάρκειας μεταφορά.

Αποθήκευση

ΠΡΟΕΙΔΟΠΟΙΗΣΗ

Ακούσια πρόκληση ζημιάς από ελαττωματικές μπαταρίες. !

- ▶ Αποθηκεύετε τα προϊόντα σας πάντα χωρίς τις μπαταρίες τοποθετημένες!
- ▶ Αποθηκεύετε τα προϊόν και τις επαναφορτιζόμενες μπαταρίες σε δροσερό και στεγνό χώρο. Προσέξτε τις οριακές τιμές θερμοκρασίας, που αναφέρονται στα τεχνικά χαρακτηριστικά.
- ▶ Μην φυλάτε επαναφορτιζόμενες μπαταρίες πάνω στον φορτιστή. Μετά τη διαδικασία φόρτισης, αφαιρείτε πάντα την επαναφορτιζόμενη μπαταρία από τον φορτιστή.
- ▶ Μην αποθηκεύετε ποτέ τις επαναφορτιζόμενες μπαταρίες στον ήλιο, πάνω σε πηγές θερμότητας ή πίσω από τζάμια.
- ▶ Αποθηκεύετε το προϊόν και τις επαναφορτιζόμενες μπαταρίες σε σημείο στο οποίο δεν έχουν πρόσβαση παιδιά και αναρμόδια άτομα.
- ▶ Ελέγχετε το προϊόν και τις επαναφορτιζόμενες μπαταρίες για τυχόν ζημιές πριν από κάθε χρήση καθώς και πριν και μετά από μεγαλύτερης διάρκειας αποθήκευση.

8 Εντοπισμός προβλημάτων

8.1 Βοήθεια για προβλήματα

Σε βλάβες που δεν αναφέρονται σε αυτόν τον πίνακα ή δεν μπορείτε να αποκαταστήσετε μόνοι σας, απευθυνθείτε στο σέρβις της Hilti.

8.2 Το κρουστικό δράπανο δεν μπορεί να λειτουργήσει



Βλάβη	Πιθανή αιτία	Λύση
Τα LED δεν δείχνουν τίποτε.	Η μπαταρία δεν έχει τοποθετηθεί ολόκληρη.	▶ Κουμπώστε την μπαταρία κάνοντας διπλό κλικ.
	Μπαταρία αποφορτισμένη.	▶ Αντικαταστήστε την μπαταρία και φορτίστε την άδεια μπαταρία.
1 LED αναβοσβήνει.	Μπαταρία αποφορτισμένη.	▶ Αντικαταστήστε την μπαταρία και φορτίστε την άδεια μπαταρία.
	Επαναφορτιζόμενη μπαταρία πολύ ζεστή ή πολύ κρύα.	▶ Φέρτε την μπαταρία στην προτεινόμενη θερμοκρασία λειτουργίας.
4 LED αναβοσβήνουν.	Βραχυπρόθεσμη υπερφόρτωση κρουστικού δράπανου.	▶ Αφήστε ελεύθερο τον διακόπτη ελέγχου και πατήστε τον ξανά.



8.3 Το κρουστικό δράπανο μπορεί να λειτουργήσει

Βλάβη	Πιθανή αιτία	Λύση
Απουσία κρούσης.	Κρουστικό δράπανο πολύ κρύο.	► Τοποθετήστε το κρουστικό δράπανο στο υπόστρωμα και αφήστε το να λειτουργεί χωρίς φορτίο. Εάν χρειάζεται, επαναλάβετε μέχρι να αρχίσει να λειτουργεί ο μηχανισμός κρούσης.
	Διακόπτης επιλογής λειτουργίας στη "διάτρηση χωρίς κρούση" .	► Θέστε τον διακόπτη επιλογής λειτουργίας στην "κρουστική διάτρηση" .
	Το κρουστικό δράπανο έχει τεθεί σε αριστερόστροφη λειτουργία.	► Επιλέξτε με το διακόπτη επιλογής δεξιόστροφης/αριστερόστροφης λειτουργίας τη δεξιόστροφη λειτουργία.
Δεν υπάρχει η δυνατότητα πίεσης του διακόπτη ελέγχου ή έχει μπλοκάρει.	Διακόπτης αριστερόστροφης/δεξιόστροφης λειτουργίας στη μεσαία θέση.	► Πιέστε τον διακόπτη αριστερόστροφης/δεξιόστροφης λειτουργίας προς τα δεξιά ή αριστερά.
Ο άξονας του εργαλείου δεν περιστρέφεται.	Υπέρβαση επιτρεπόμενης θερμοκρασίας λειτουργίας στο ηλεκτρονικό σύστημα του κρουστικού δράπανου.	► Αφήστε το κρουστικό δράπανο να κρυώσει.
	Μπαταρία αποφορτισμένη.	► Αντικαταστήστε την μπαταρία και φορτίστε την άδεια μπαταρία.
Το κρουστικό δράπανο απενεργοποιείται αυτόματα.	Ενεργοποιείται η προστασία υπερφόρτισης.	► Αφήστε ελεύθερο το διακόπτη ελέγχου. Αφήστε το κρουστικό δράπανο να κρυώσει. Πιέστε ξανά τον διακόπτη ελέγχου. Μειώστε το φορτίο του εργαλείου.
Η μπαταρία αδειάζει πιο γρήγορα από ό,τι συνήθως.	Πολύ χαμηλή θερμοκρασία περιβάλλοντος.	► Αφήστε την επαναφορτιζόμενη μπαταρία να ζεσταθεί σταδιακά σε θερμοκρασία δωματίου.
Η μπαταρία δεν κοιμπώνει αισθητά κάνοντας "διπλό κλικ".	Προεξοχές ασφάλισης στην μπαταρία λερωμένες.	► Καθαρίστε τις προεξοχές ασφάλισης και τοποθετήστε ξανά την μπαταρία.
Έντονη αύξηση θερμοκρασίας στο κρουστικό δράπανο ή στην μπαταρία.	Ηλεκτρική βλάβη	► Απενεργοποιήστε αμέσως το κρουστικό δράπανο. Αφαιρέστε την μπαταρία και παρατηρήστε τη. Αφήστε το να κρυώσει. Επικοινωνήστε με το σέρβις της Hilti .
	Το κρουστικό δράπανο έχει υπερφορτωθεί (υπέρβαση ορίου χρήσης).	► Επιλέξτε ένα εργαλείο κατάλληλο για την εφαρμογή.
Το εξάρτημα δεν μπορεί να αφαιρεθεί από το μηχανισμό ασφάλισης.	Δεν έχετε τραβήξει τελειώς προς τα πίσω το τσοκ.	► Τραβήξτε πίσω μέχρι τον αναστολέα τον μηχανισμό ασφάλισης εξαρτημάτων και αφαιρέστε το εξάρτημα.
Το εξάρτημα δεν προχωράει.	Το κρουστικό δράπανο έχει τεθεί σε αριστερόστροφη λειτουργία.	► Επιλέξτε με το διακόπτη επιλογής δεξιόστροφης/αριστερόστροφης λειτουργίας τη δεξιόστροφη λειτουργία.




Βλάβη	Πιθανή αιτία	Λύση
Το εξάρτημα δεν προχωράει.	Διακόπτης επιλογής λειτουργίας στη "διάτρηση χωρίς κρούση"  .	► Θέστε τον διακόπτη επιλογής λειτουργίας στην "κρουστική διάτρηση"  .

9 Διάθεση στα απορρίμματα

ΠΡΟΕΙΔΟΠΟΙΗΣΗ

Κίνδυνος τραυματισμού από ακατάλληλη διάθεση στα απορρίμματα! Κίνδυνοι για την υγεία από εξερχόμενα αέρια ή υγρά.

- Μην αποστέλλετε επαναφορτιζόμενες μπαταρίες που έχουν υποστεί ζημιά!
- Καλύψτε τις συνδέσεις με ένα μη αγώγιμο υλικό, για να αποφύγετε βραχυκυκλώματα.
- Πετάξτε τις μπαταρίες έτσι ώστε να μην μπορούν να καταλήξουν στα χέρια παιδιών.
- Απορρίψτε την μπαταρία στο **Hilti Store** ή απευθυνθείτε στην αρμόδια επιχείρηση διάθεσης απορριμμάτων.

 Τα προϊόντα της **Hilti** είναι κατασκευασμένα σε μεγάλο ποσοστό από ανακυκλώσιμα υλικά. Προϋπόθεση για την ανακύκλωσή τους είναι ο κατάλληλος διαχωρισμός των υλικών. Σε πολλές χώρες, η **Hilti** παραλαμβάνει το παλιό σας εργαλείο για ανακύκλωση. Απευθυνθείτε στο σέρβις της **Hilti** ή στον σύμβουλο πωλήσεων.



- Μην πετάτε τα ηλεκτρικά εργαλεία, της ηλεκτρονικές συσκευές και τις επαναφορτιζόμενες μπαταρίες στον κάδο οικιακών απορριμμάτων!

10 RoHS (οδηγία για τον περιορισμό της χρήσης επικίνδυνων ουσιών)

Στον ακόλουθο σύνδεσμο θα βρείτε τον πίνακα επικίνδυνων ουσιών: qr.hilti.com/r3159232.

Στο τέλος αυτής της τεκμηρίωσης θα βρείτε ως κώδικα QR έναν σύνδεσμο για τον πίνακα RoHS.

11 Εγγύηση κατασκευαστή

- Για ερωτήσεις σχετικά με τους όρους εγγύησης απευθυνθείτε στον τοπικό συνεργάτη της **Hilti**.

Orijinal kullanım kılavuzu

1 Dokümantasyon verileri

1.1 Bu doküman için

- Çalıştırmadan önce bu dokümanı okuyunuz. Bu, güvenli çalışma ve arızasız kullanım için ön koşuldur.
- Bu dokümanda ve ürün üzerinde bulunan güvenlik ve uyarı bilgilerine dikkat ediniz.
- Kullanım kılavuzunu her zaman ürün üzerinde bulundurunuz ve ürünü sadece bu kılavuz ile birlikte başka kişilere veriniz.

1.2 Resim açıklaması

1.2.1 Uyarı bilgileri

Uyarı bilgileri, ürün ile çalışırken ortaya çıkabilecek tehlikelere karşı uyarır. Aşağıdaki uyarı metinleri kullanılır:

TEHLİKE

TEHLİKE !

- Ağır vücut yaralanmalarına veya doğrudan ölüme sebep olabilecek tehlikeler için.

İKAZ

İKAZ !

- Ağır yaralanmalara veya ölüme neden olabilecek tehlikeler için.



⚠ DİKKAT**DİKKAT !**

- Vücut yaralanmalarına veya maddi hasarlara yol açabilecek olası tehlikeli durumlar için.

1.2.2 Dokümandaki semboller

Bu dokümanda aşağıdaki semboller kullanılmıştır:

	Kullanmadan önce kullanım kılavuzunu okuyunuz
	Kullanım uyarıları ve diğer gerekli bilgiler
	Geri dönüşümlü malzemeler ile çalışma
	Elektrikli aletleri ve aküleri evdeki çöplere atmayınız

1.2.3 Resimlerdeki semboller

Resimlerde aşağıdaki semboller kullanılmıştır:

	Bu sayılar, kılavuzun başlangıcındaki ilgili resimlere atanmıştır
	Numaralandırma, resimdeki çalışma adımlarının sırasını göstermektedir ve metindeki çalışma adımlarından farklı olabilir
	Pozisyon numaraları Genel bakış resminde kullanılır ve Ürüne genel bakış bölümündeki açıklama numaralarına referans niteliğindedir
	Bu işaret, ürün ile çalışırken dikkatinizi çekmek için koyulmuştur.

1.3 Ürüne bağlı semboller**1.3.1 Üründeki semboller**

Üründe aşağıdaki semboller kullanılabilir:

	Darbesiz delme
	Darbe ile delme (darbeli delme)
	Sağa/Sola doğru çalışma
	Koruma sınıfı II (çift izolasyonlu)
	Ölçüm rölaneti devir sayısı
	Doğru akım
	Lityum İyon akü
	Kullanılan Hiltili Lityum İyon akü tip serisi. Usulüne uygun kullanım bölümündeki bilgileri dikkate alınız.
	Aküyü asla darbe aleti olarak kullanmayınız.
	Aküyü düşürmeyiniz. Darbe almış veya hasar görmüş bir aküyü kullanmayınız.
	Alet, iOS ve Android platformları ile uyumlu NFC teknolojisini destekler.

1.4 Ürün bilgileri

HILTI ürünleri profesyonel kullanıcıların kullanımı için öngörülmüştür ve sadece yetkili personel tarafından kullanılabilir ve bakımı yapılabilir. Bu personel, meydana gelebilecek tehlikeler hakkında özel



olarak eğitim görmüş olmalıdır. Aletin ve ilgili yardımcı gereçlerin eğitimsiz personel tarafından usulüne uygun olmayan şekilde kullanılması ve amaçları dışında çalıştırılması sonucu tehlikeli durumlar söz konusu olabilir. Tip tanımı ve seri numarası, tip plakası üzerinde belirtilmiştir.

- ▶ Seri numarasını aşağıdaki tabloya aktarınız. Ürün bilgileri acente veya servis merkezini aradığınızda sorulabilir.

Ürün verileri

Kırcı-delici	TE 4-A22
Nesil	02
Seri no.	

1.5 Uygunluk beyanı

Burada tanımlanan ürünün, geçerli yönetmeliklere ve normlara uygun olduğunu kendi sorumluluğumuzda beyan ederiz. Bu dokümantasyonun sonunda uygunluk beyanının bir kopyasını bulabilirsiniz.

Teknik dokümantasyonlar eklidir:

Hilti Entwicklungsgesellschaft mbH | Zulassung Geräte | Hiltistraße 6 | 86916 Kaufering, DE

2 Güvenlik

2.1 Elektrikli el aletleri için genel güvenlik uyarıları

⚠ İKAZ! Tüm güvenlik uyarılarını ve talimatlarını okuyunuz. Güvenlik uyarılarına ve talimatlara uyulmadığı takdirde elektrik çarpması, yanma ve/veya ağır yaralanmalara sebep olabilir. Tüm güvenlik uyarılarını ve kullanım talimatlarını muhafaza ediniz.

İş yeri güvenliği

- ▶ **Çalışma alanınızı temiz ve aydınlık tutunuz.** Düzensiz veya aydınlatma olmayan çalışma alanları kazalara yol açabilir.
- ▶ **Yanıcı sıvıların, gazların veya tozların bulunduğu patlama tehlikesi olan yerlerde elektrikli el aleti ile çalışmayınız.** Elektrikli el aletleri, toz veya buharı yakabilecek kıvılcım oluşturur.
- ▶ **Elektrikli el aletini kullanırken çocukları ve diğer kişileri uzak tutunuz.** Dikkatiniz dağılırsa aletin kontrolünü kaybedebilirsiniz.

Elektrik güvenliği

- ▶ **Topraklanan yüzeyler (örneğin borular, ısıtma sistemleri, ocaklar ve buzdolapları) ile temastan kaçınınız.** Vücudunuzun toprakla teması var ise yüksek bir elektrik çarpması riski söz konusudur.
- ▶ **Elektrikli el aletini kullanırken bir anlık dikkatsizlik ciddi yaralanmalara neden olabilir.**

Kişilerin güvenliği

- ▶ **Dikkatli olunuz, ne yaptığınıza dikkat ediniz ve elektrikli el aleti ile çalışırken mantıklı davranınız.** Yorgunsanız veya uyuşturucu, alkol veya ilaç etkisi altında iseniz elektrikli el aletini kullanmayınız. Elektrikli el aletini kullanırken bir anlık dikkatsizlik ciddi yaralanmalara neden olabilir.
- ▶ **Kişisel koruyucu donanım ve her zaman bir koruyucu gözlük takınız.** Elektrikli el aletinin türüne ve kullanımına göre toz maskesi, kaymayan güvenlik ayakkabısı, koruyucu kask veya kulaklık gibi kişisel koruyucu donanımların kullanılması yaralanma riskini azaltır.
- ▶ **İstem dışı çalışmayı önleyiniz. Aküyü bağlamadan, yerleştirmeden veya taşımadan önce elektrikli el aletinin kapalı olduğundan emin olunuz.** Elektrikli el aletini taşıırken parmağınız şalterde ise veya alet açık konumda güç kaynağına takılırsa bu durum kazalara yol açabilir.
- ▶ **Elektrikli el aletini devreye almadan önce ayar aletlerini veya vidalama anahtarlarını çıkartınız.** Dönen bir alet parçasında bulunan bir alet veya anahtar yaralanmalara yol açabilir.
- ▶ **Aşırı bir vücut hareketinden sakınınız. Güvenli bir duruş sağlayınız ve her zaman dengeli tutunuz.** Böylece beklenmedik durumlarda elektrikli el aletini daha iyi kontrol edebilirsiniz.
- ▶ **Uygun kıyafetler giyiniz. Bol kıyafetler giymeyiniz veya takı takmayınız. Saçları, kıyafetleri ve eldivenleri hareket eden parçalardan uzak tutunuz.** Bol kıyafetler, takı veya uzun saçlar hareket eden parçalara takılabilir.
- ▶ **Toz emme ve tutma tertibatları monte edilebiliyorsa bunların bağlı olduğundan ve doğru kullanıldığında emin olunuz.** Bu toz emme tertibatının kullanımı tozdan kaynaklanabilecek tehlikeleri azaltabilir.

Elektrikli el aletinin kullanımı ve çalıştırılması

- ▶ **Aleti çok fazla zorlamayın. Çalışmanız için uygun olan elektrikli el aletini kullanın.** Uygun elektrikli el aleti ile bildirilen hizmet alanında daha iyi ve güvenli çalışırsınız.



- ▶ **Şalteri bozuk olan elektrikli el aletini kullanmayınız.** Açılıp kapatılmayan bir elektrikli el aleti tehlikelidir ve tamir edilmesi gerekir.
- ▶ **Aletin ayarlarını yapmadan, aksesuar parçalarını değiştirmeden veya aleti başka bir yere koymadan önce aküyü çıkartınız.** Bu önlem, elektrikli el aletin istem dışı çalışmasını engeller.
- ▶ **Kullanılmayan elektrikli el aletlerini çocukların erişemeyeceği yerde muhafaza edin. Aleti iyi tanımayan veya bu talimatları okumamış kişilere aleti kullandırmayın.** Elektrikli el aletleri bilgisiz kişiler tarafından kullanılırsa tehlikelidir.
- ▶ **Elektrikli el aletlerinin bakımını özenle yapınız. Hareketli parçaların kusursuz çalıştığı ve sıkışmadığı, parçaların kırılıp kırılmadığı veya hasar görüp görmediği, elektrikli el aleti fonksiyonlarının kısıtlanma durumlarını kontrol ediniz. Hasarlı parçaları aleti kullanmadan önce tamir ettiriniz.** Birçok kazanım nedeni bakımını kötü yapılan elektrikli el aletleridir.
- ▶ **Kesme aletlerini keskin ve temiz tutun.** Özenle bakımı yapılmış keskin bıçak kenarı olan kesme aletleri daha az sıkışır ve kullanımı daha rahattır.
- ▶ **Elektrikli el aletini, aksesuarları, ek aletleri vb. bu talimatlara göre kullanın. Çalışma şartlarını ve yapılacak işi de ayrıca göz önünde bulundurun.** Elektrikli el aletlerinin öngörülen kullanımı dışında kullanılması tehlikeli durumlara yol açabilir.

Aküli el aletinin kullanımı ve çalıştırılması

- ▶ **Akülerini sadece üretici tarafından tavsiye edilen şarj cihazları ile şarj ediniz.** Belirli bir akü için uygun olan bir şarj cihazı, başka akülerle kullanılırsa yanma tehlikesi vardır.
- ▶ **Elektrikli el aletlerinde sadece bunun için öngörülen aküler kullanılmalıdır.** Başka akülerin kullanılması yaralanmalara ve yanma tehlikelerine yol açabilir.
- ▶ **Kullanılmayan aküleri, kontakların köprülmesine sebep olabilecek ataçlar, madeni paralar, anahtarlar, çiviler, vidalar veya diğer küçük metal cisimlerden uzak tutunuz.** Akü kontakları arasındaki kısa devre yarınmalara veya alev oluşumuna sebep olabilir.
- ▶ **Yanlış kullanımda aküden sıvı çıkabilir. Bunlar ile teması önleyiniz.** Dışarı akan akü sıvısı cilt tahrişine ve yanmalarına yol açabilir. Yanlışlıkla temasta su ile durulayınız. Bu sıvı gözle temas ederse ayrıca tıbbi yardım alınız.

Servis

- ▶ **Elektrikli el aletinizi sadece kalifiye uzman personele ve sadece orijinal yedek parçalar ile tamir ettiriniz.** Böylece elektrikli el aletinin güvenliğinin korunduğundan emin olunur.

2.2 Kırıcı - delici ek güvenlik uyarıları

Kişilerin güvenliği

- ▶ Ürün ve aksesuar sadece teknik açıdan sorunsuz durumdakine kullanınız.
- ▶ Ürün veya aksesuar üzerinde asla manipülasyon veya değişiklik yapılmamalıdır.
- ▶ Ürünle birlikte verilen ek tutamakları kullanınız. Kontrol kaybı yaralanmalara yol açabilir.
- ▶ Kırma çalışmalarında, çalışılacak yerin karşı tarafında bulunan bölgeyi emniyete alın. Kırılan parçalar dışarı ve / veya yere düşebilir ve diğer kişilerin yaralanmasına sebep olabilir.
- ▶ Ürünü her zaman iki elinizle öngörülen tutamaklardan sıkıca tutunuz. Tutamakları kuru ve temiz tutunuz.
- ▶ Ek aletin gizli elektrik hatlarına temas edebileceği yerlerde çalışıyorsanız, ürünü izole edilmiş tutamak yüzeylerinden tutunuz . Elektrik ileten bir hat ile temasta metal parçalar da gerilim altında kalır ve elektrik çarpmasına neden olabilir.
- ▶ Dönen parçalara temas etmekten kaçınınız - Yaralanma tehlikesi!
- ▶ Ürünün kullanımı sırasında koruyucu gözlük, koruyucu kask, koruyucu kulaklık ve uygun bir solunum koruma maskesi kullanınız.
- ▶ Alet değişimi sırasında koruyucu eldiven takılmalıdır. Ek alete takılan uçlara dokunmak kesik ve yanık türünde yaralanmalara yol açabilir.
- ▶ Koruyucu gözlük kullanın. Etrafa sıçrayan malzeme vücudu ve gözleri yaralayabilir.
- ▶ Taşlama, zımparalama, kesme ve delme işlemleri sonucunda oluşan tozlar tehlikeli kimyasallar içerebilir. Bazı örnekler şunlardır: Kurşun temelli kurşun veya boya; Tuğla, beton ve diğer duvar ürünleri, doğal taş ve diğer silikat içeren ürünler; Meşe, kayın gibi belirli ahşaplar ve kimyasal işlem görmüş ahşap; Asbest veya asbest içerikli malzemeler. Çalışılan malzemenin tehlike sınıfına göre kullanıcının ve çevredeki kişilerin maruziyetini belirleyiniz. Maruziyeti güvenli bir seviyede tutmak için bir toz toplama sisteminin kullanımı veya uygun bir solunum koruma maskesinin kullanımı gibi gerekli önlemleri alınız. Maruziyeti azaltmaya yönelik genel önlemler aşağıdakilerdir:
 - ▶ İyi havalandırılan bir alanda çalışma,
 - ▶ Toz ile uzun süreli temastan kaçınma,



- Yüz ve vücuttaki tozları giderme,
- Koruyucu kıyafet kullanma ve maruz kalan alanları su ve sabunla yıkama.
- Parmaklarınızdaki kan dolaşımının daha iyi olması için sık sık molalar veriniz ve parmak egzersizleri yapınız. Uzun süren çalışmalarda yüksek titreşim, parmaklar, eller veya bileklerdeki sinir sisteminde veya kan damarlarında rahatsızlıklara neden olabilir.

Elektrik güvenliği

- Çalışmaya başlamadan önce çalışma alanında üzeri örtülü elektrik kablosu, gaz ve su borusu bulunup bulunmadığını kontrol ediniz. Bir elektrik hattına, bir gaz veya su borusuna zarar verilmesi halinde, ürünün dışındaki metal parçalar elektrik çarpmasına veya patlamaya neden olabilir.

Elektrikli el aletleri ile dikkatli çalışılması ve aletin doğru kullanılması

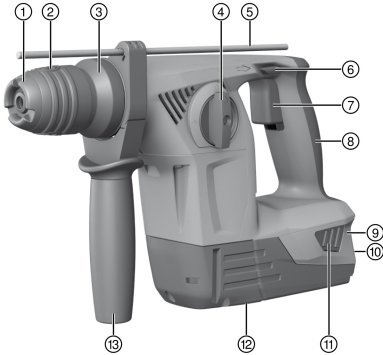
- Ek aletin bloke olması halinde, ürünü derhal kapatınız. Ürün yana doğru kayabilir.
- Yere koymadan önce ürünün tamamen durmasını bekleyiniz.

2.3 Akülü aletlerin özenli çalıştırılması ve kullanımı

- Lityum İyon akülerin taşıma, depolama ve kullanımına yönelik özel talimatları dikkate alınız.
- Aküler, yüksek sıcaklıklarda, doğrudan güneş ışığından ve ateşten uzak tutulmalıdır.
- Aküler parçalarına ayrılmamalı, ezilmemeli, 80°C (176°F) üzerine ısıtılmamalı veya yakılmamalıdır.
- Darbe almış, bir metreden daha yüksek bir yerden düşmüş veya başka bir şekilde hasar görmüş aküleri kullanmayınız veya şarj etmeyiniz. Bu durumda her zaman **Hilti servisi** ile irtibat kurunuz.
- Akü tutulamayacak kadar sıcaksa arızalı olabilir. Pili, yanıcı malzemelere yeterli mesafede, görünür ve yanıcı olmayan bir yere yerleştiriniz. Aküyü soğumaya bırakınız. Akü bir saat sonra hala dokunulamayacak kadar sıcaksa, arızalı demektir. **Hilti servisi** ile iletişim kurunuz.

3 Tanımlama

3.1 Alet parçaları kullanım ve gösterge elemanları 1



- 1 Tozdan koruma kapağı
- 2 Alet bağlantı yeri
- 3 Alet kilit açma sistemi
- 4 Fonksiyon seçme şalteri
- 5 Derinlik mesnedi
- 6 Çalıştırma kilidi olan sağa/sola dönüş değiştirme şalteri
- 7 Kumanda şalteri
- 8 Tutamak
- 9 Akü
- 10 Şarj durumu ve hata göstergesi (Lityum İyon akü)
- 11 Akü için kilit açma düğmeleri
- 12 Toz modülü bağlantısı TE DRS-4-A(01)
- 13 Yan tutamak



3.2 Usulüne uygun kullanım

Tarif edilen ürün akülü bir kırıcı-delicidir. Çelik, ahşap ve duvarda delik açma, beton ve duvarda darbeli delme ve civataları sıkma ve sökmede kullanılmak üzere tasarlanmıştır.

- Bu ürün için sadece B 22 tip serisi **Hilti** Lityum İyon aküler kullanılmalıdır.
- Bu aküler için sadece **Hilti** onaylı şarj cihazları kullanınız. Daha fazla bilgiyi **Hilti Store** veya www.hilti.group adresinde bulabilirsiniz

3.3 Lityum İyon akü göstergesi

Lityum İyon akü kullanılması durumunda, kilit açma tuşlarına hafifçe basarak şarj durumu görüntülenebilir.

Durum	Anlamı
4 LED yanıyor.	Şarj durumu: % 75 ile %100 arası
3 LED yanıyor.	Şarj durumu: % 50 ile %75 aralığında
2 LED yanıyor.	Şarj durumu: % 25 ile %50 aralığında
1 LED yanıyor.	Şarj durumu: % 10 ile %25 arası
1 LED yanıp sönmüyor.	Şarj durumu: < % 10

Çalışma esnasında ve çalışmadan sonra doğrudan şarj durumunun kontrol edilmesi mümkün değildir. Akü şarj durumu göstergesinin LED'leri yanıp söndüğünde lütfen Hata Arama bölümdeki uyarıları dikkate alınız.

3.4 Teslimat kapsamı

Kırıcı - delici, yan tutamak, derinlik mesnedi, kullanım kılavuzu.

Toz modülü TE DRS-4-A (01) tozlu çalışmalar için aksesuar olarak sunulur.

Ürün için izin verilen diğer sistem ürünlerini **Hilti Store**'da veya şu adreste bulabilirsiniz: www.hilti.group

4 Teknik veriler

4.1 Kırıcı-delici

	TE 4-A22
EPTA Procedure 01 uyarınca B228.0 akümülatör dahil ağırlık	3,9 kg
*EPTA-Prosedür 05/2009'a göre tek darbe enerjisi	2 J
Beton/duvarda delme çapı (darbeli delme)	4 mm ... 28 mm
Ahşapta delme çapı (tam delici)	3 mm ... 20 mm
Metalde delme çapı (tam delici)	3 mm ... 10 mm

4.2 Ses bilgisi ve titreşim değerleri

Bu talimatlarda belirtilen ses basıncı ve titreşim değerleri, ilgili normlara uygun bir ölçüm metodu ile ölçülmüştür ve elektrikli el aletlerinin birbirleri ile karşılaştırılması için kullanılabilir. Zorlanmaların geçici olarak değerlendirilmesine de uygundur. Belirtilen değerler, elektrikli el aletinin ana kullanım alanlarını temsil eder. Elektrikli el aletinin, farklı ek aletlerle veya yetersiz bakım yapılmış şekilde kullanılması durumunda, veriler sapma gösterebilir. Bu durum, toplam çalışma süresi boyunca zorlanmayı belirgin şekilde yükseltebilir. Doğru bir zorlanma değerlendirmesi için aletin kapatıldığı veya çalışır konumda olduğu ve ayrıca kullanımda olmadığı zamanlar da dikkate alınmalıdır. Bu durum, toplam çalışma süresi boyunca zorlanmayı belirgin şekilde azaltabilir. Kullanıcıyı ses ve/veya titreşimin etkilerinden koruyacak ek güvenlik önlemleri belirleyiniz, örneğin: Elektrikli el aletinin ve ek aletlerin bakımının yapılması, ellerin sıcak tutulması, iş akışlarının organizasyonu.

Gürültü emisyon değerleri EN 60745 uyarınca belirlenir

Ses gücü seviyesi (L_{WA})	99 dB(A)
Ses gücü seviyesi için emniyetsizlik (K_{WA})	3 dB(A)
Emisyon ses basıncı seviyesi (L_{pA})	88 dB(A)
Ses basıncı seviyesi için emniyetsizlik (K_{pA})	3 dB(A)



Toplam titreşim değerleri EN 60745'e göre belirlenir

Betonda darbeli delme ($a_{h, HD}$)	11 m/sn ²
Emniyetsizlik (K)	1,5 m/sn ²

4.3 Akü

Akü çalışma gerilimi	21,6 V
İşletim sırasındaki ortam sıcaklığı	-17 °C ... 60 °C
Depolama sıcaklığı	-20 °C ... 40 °C
Şarj başlangıcında akü sıcaklığı	-10 °C ... 45 °C

5 Kullanım

5.1 Çalışma hazırlığı

İKAZ

Yaralanma tehlikesi kazara çalışmaya başlama nedeniyle!

- ▶ Aküyü takmadan önce ilgili ürünün kapalı konumda olduğundan emin olunuz.
- ▶ Cihazın ayarlarını yapmadan veya aksesuarları değiştirmeden önce aküyü çıkartınız.

Bu dokümanda ve ürün üzerinde bulunan güvenlik ve uyarı bilgilerine dikkat ediniz.

5.1.1 Yan tutamak montajı

1. Yan tutamak tutucusunu (germe bandı) sökmek için tutamağı çeviriniz.
2. Tutamağı (germe bandı), bunun için öngörülen oyuğa kadar alet bağlantı yeri üzerinden öne doğru itiniz.
3. Yan tutamağı istenen konuma konumlandırınız.
4. Yan tutamak tutucusunu (germe bandı) germek için tutamağı çeviriniz.

5.1.2 Akünün yerleştirilmesi

1. Aküyü, duyulur şekilde yerine oturana kadar cihaz tutucusuna bastırınız.
2. Akünün alette emniyetli bir şekilde yerleşip yerleşmediğini kontrol ediniz.

5.1.3 Akünün çıkartılması

1. Akünün kilit açma tuşlarına basınız.
2. Aküyü arkaya doğru dışarı çekiniz.

5.1.4 Ek aletin yerleştirilmesi

1. Ek aletin giriş ucunu gresle hafifçe yağlayınız.
 - ▶ Sadece Hilti'nin orijinal gresini kullanınız. Yanlış bir gres tipi alette hasara neden olabilir.
2. Ek aleti dayanak yerine kadar alet bağlantı yerine yerleştirip oturtunuz.
3. Aleti yerleştirdikten sonra çekerek güvenli kilitleme durumunu kontrol ediniz.
 - ▶ Ürün kullanıma hazırdır.

5.1.5 Ek aletin çıkarılması

DİKKAT

Ek alet nedeniyle yaralanma tehlikesi! Ek alet sıcak veya keskin kenarlı olabilir.

- ▶ Ek aleti değiştirirken koruyucu eldiven takınız.

- ▶ Alet kilidini dayanak noktasına kadar geri çekin ve ek aleti çıkartın.

5.1.6 Derinlik mesnedinin monte edilmesi (opsiyonel)

1. Yan tutamak tutucusunu (germe bandı) sökmek için tutamağı çeviriniz.
2. Derinlik mesnedini, önden bunun için öngörülen 2 kılavuz deliğine itiniz.
3. Yan tutamak tutucusunu (germe bandı) germek için tutamağı çeviriniz.



5.2 Çalışma

DİKKAT

Hasar tehlikesi yanlış kullanım nedeniyle!


- ▶ Şalteri dönüş yönü ve/veya fonksiyon seçimi için çalışma esnasında çalıştırmayınız.

Bu dokümanda ve ürün üzerinde bulunan güvenlik ve uyarı bilgilerine dikkat ediniz.


5.2.1 Dönüş yönü

- ▶ Dönüş yönünü ayarlayınız.
 - ▶ Şalter bu konumda yerine oturur.

5.2.2 Darbesiz delme

- ▶ Fonksiyon seçme şalterini şu sembolün üzerine getiriniz: .

5.2.3 Darbeli delme

- ▶ Fonksiyon seçme şalterini şu sembolün üzerine getiriniz: .

6 Bakım ve onarım

6.1 Bakım ve onarım

İKAZ

Takılı aküden dolayı yaralanma tehlikesi !

- ▶ Tüm bakım ve onarım çalışmalarından önce her zaman aküyü çıkarınız!

Ürün bakımı

- Yapışmış olan kiri dikkatlice çıkarınız.
- Eğer varsa, havalandırma deliklerini kuru, yumuşak bir fırça ile dikkatlice temizleyiniz.
- Gövdeyi sadece hafif nemli bir temizlik bezi ile temizleyiniz. Plastik parçalara yapışabileceğinden silikon içerikli bakım maddeleri kullanmayınız.
- Ürünün kontaklarını temizlemek için temiz, kuru bir bez kullanınız.

Lityum İyon akülerin bakımı

- Bir aküyü asla havalandırma delikleri tıkalıyken kullanmayınız. Havalandırma deliklerini kuru, yumuşak bir fırça ile dikkatlice temizleyiniz.
- Akünün gereksiz toz veya kire maruz kalmasını önleyiniz. Aküyü asla yüksek neme maruz bırakmayınız (örn. suya daldırma veya yağmurda bırakma).
Bir akü ıslandıysa, bu aküye hasarlı akü muamelesi yapınız. Yanmayan bir kabin içinde izole ediniz ve **Hilti** servisiyle irtibat kurunuz.
- Aküyü yabancı yağ ve gresten uzak tutunuz. Gereksiz toz veya kirin aküde birikmesini önleyiniz. Aküyü kuru, yumuşak bir fırça veya temiz, kuru bir bezle temizleyiniz. Plastik parçalara yapışabileceğinden silikon içerikli bakım maddeleri kullanmayınız.
Akünün kontaklarına dokunmayınız ve fabrika tarafında sürülen gresi kontaklardan temizlemeyiniz.
- Gövdeyi sadece hafif nemli bir temizlik bezi ile temizleyiniz. Plastik parçalara yapışabileceğinden silikon içerikli bakım maddeleri kullanmayınız.

Onarım

- Görünür tüm parçalarda hasar olup olmadığını ve kumanda elemanlarının sorunsuz şekilde çalışıp çalışmadığını düzenli olarak kontrol ediniz.
- Hasar ve/veya fonksiyon arızaları durumunda ürünü çalıştırmayınız. Ürünü derhal **Hilti** servisi tarafından onarılmasını sağlayınız.
- Bakım ve onarım çalışmalarından sonra tüm koruma tertibatlarını yerleştiriniz ve bunları sorunsuz fonksiyon bakımından kontrol ediniz.



Güvenli çalışma için sadece orijinal yedek parçalar ve sarf malzemeleri kullanınız. **Hilti** tarafından onaylanmış, yedek parçaları, aksesuarları ve sarf malzemelerini **Hilti Store** veya şu adreste bulabilirsiniz: www.hilti.group



6.2 Tozdan koruma kapağının temizlenmesi

- Tozdan koruma kapağını düzenli bir şekilde alet bağlantı yerinden temiz, kuru bir bez ile temizleyiniz.
- Conta ağızını dikkatlice silerek temizleyiniz ve hafifçe **Hilti** yağı ile yağlayınız.
- Conta ağızı hasarlı ise tozdan koruma kapağı mutlaka değiştirilmelidir.

7 Taşıma ve depolama

7.1 Akülü aletlerin ve akülerin taşınması ve depolanması

Taşıma

DİKKAT

Taşıma sırasında aletin istem dışı çalışması !

- Ürünlerinizi her zaman aküler takılı olmadan taşıyınız!
- Aküleri çıkartınız.
- Aküleri kesinlikle sıkıca bağlanmamış koruma ile nakletmeyiniz. Nakliye sırasında, aküler aşırı şok ve titreşimlerden korunmalı ve başka akü kutupları ile temas ederek kısa devreye neden olmaları için, her türlü iletken malzeme veya diğer akülerden izole edilmiş olmalıdır. **Aküler için yerel taşıma talimatlarını dikkate alınız.**
- Aküler posta ile gönderilmemelidir. Hasarsız aküleri sevk etmek istemeniz halinde, bir nakliye şirketine başvurunuz.
- Ürünün ve akülerin hasar görmüş olup olmadığını her kullanımdan önce olduğu gibi uzun taşımaldan önce ve sonra kontrol ediniz.

Depolama

İKAZ

Arızalı veya akan aküler nedeniyle beklenmeyen hasar oluşumu !

- Ürünlerinizi her zaman aküleri yerleştirmeden depolayınız!
- Ürünü ve aküleri serin ve kuru bir yerde muhafaza ediniz. Teknik verilerde belirtilen sıcaklık sınır değerlerini dikkate alınız.
- Aküleri şarj cihazının üzerinde muhafaza etmeyiniz. Şarj işleminden sonra her zaman aküyü şarj cihazından çıkartınız.
- Aküleri kesinlikle güneşte, ısı kaynakların üzerinde veya cam arkasında muhafaza etmeyiniz.
- Ürünü ve aküleri çocukların ve yetkisiz kişilerin ulaşamayacağı yerlerde muhafaza ediniz.
- Ürünün ve akülerin hasar görmüş olup olmadığını her kullanımdan önce olduğu gibi uzun süreli depolamalardan önce ve sonra kontrol ediniz.

8 Hata arama

8.1 Arıza durumunda yardım

Bu tabloda listelenmemiş veya kendi başınıza gideremediğiniz arızalarda lütfen yetkili **Hilti** servisimiz ile irtibat kurunuz.

8.2 Kırcı-delici çalışmaya hazır değildir

Arıza	Olası sebepler	Çözüm
LED'ler hiçbir şey göstermiyor.	Akü yerine tamamen takılmamış.	► Aküyü çift klik sesi ile yerine oturtunuz.
	Akü deşarj olmuş.	► Aküyü değiştiriniz ve boş aküyü şarj ediniz.
1 LED yanıp sönüyor.	Akü deşarj olmuş.	► Aküyü değiştiriniz ve boş aküyü şarj ediniz.
	Akü çok sıcak veya çok soğuk.	► Akü tavsiye edilen çalışma sıcaklığına getirilmelidir.
4 LED yanıp sönüyor.	Kırcı-delici kısa süre aşırı yüklendi.	► Kumanda şalterini bırakınız ve şaltere sonra yeniden basınız.



8.3 Kırıcı-delici çalışmaya hazırdır

Arıza	Olası sebepler	Çözüm
Darbe yok.	Kırıcı-delici çok soğuk.	► Kırıcı - deliciyi zemine yerleştiriniz ve rölantide çalıştırınız. Darbe mekanizması çalışıncaya kadar gerektiği kadar tekrarlayınız.
	Fonksiyon seçme şalteri "Darbesiz delme" konumunda	► Fonksiyon seçme şalterini "Darbeli delme" konumuna getiriniz .
	Kırıcı-delici sola dönme konumuna getirilmiştir.	► Sağa/sola dönüş değiştirme şalterini sağa doğru çalışma konumuna getiriniz.
Kumanda şalterine basılamıyor veya bloke olmuş.	Sağa/sola dönüş değiştirme şalteri orta konumda.	► Sağa/sola dönüş değiştirme şalterini sağa veya sola doğru bastırınız.
Alet mili dönmüyor.	Kırıcı-delici elektroniğinin izin verilen çalışma sıcaklığı aşıldı.	► Kırıcı-deliciyi soğumaya bırakınız.
	Akü deşarj olmuş.	► Aküyü değiştiriniz ve boş aküyü şarj ediniz.
Kırıcı-delici otomatik olarak kapanıyor.	Zorlanma emniyeti devreye girer.	► Kumanda şalterini bırakınız. Kırıcı-deliciyi soğumaya bırakınız. Kumanda şalterine yeniden basınız. Alet yükünü azaltınız.
Akü normalden daha hızlı boşalıyor.	Çok düşük ortam sıcaklığı.	► Aküyü yavaşça ısıtarak oda sıcaklığına getiriniz.
Akü paketi duyulabilir bir "çift klik" sesi ile yerine oturmuyor.	Akünün kilit tırnakları kirlenmiş.	► Kilit tırnaklarını temizleyiniz ve aküyü yeniden yerine oturtunuz.
Kırıcı-delicide veya aküde yoğun ısı oluşması.	Elektrik arızası	► Kırıcı-deliciyi hemen kapatınız. Aküyü çıkartınız ve durumunu inceleyiniz. Soğumaya bırakınız. Hilti servisi ile iletişim kurunuz.
	Kırıcı-delici aşırı yüklenmiş (kullanım sınırı aşılmış).	► Uygulamaya uygun bir alet seçiniz.
El aleti kilitten çözülüyor.	Alet bağlantı yeri tam olarak geri çekilmemiş.	► Alet kilidini dayanak noktasına kadar geri çekiniz ve aleti çıkartınız.
El aleti yerinden çıkmıyor.	Kırıcı-delici sola dönme konumuna getirilmiştir.	► Sağa/sola dönüş değiştirme şalterini sağa doğru çalışma konumuna getiriniz.
	Fonksiyon seçme şalteri "Darbesiz delme" konumunda	► Fonksiyon seçme şalterini "Darbeli delme" konumuna getiriniz .


9 İmha

İKAZ

Usulüne uygun olmayan imha nedeniyle yaralanma tehlikesi! Dışarı çıkan gaz ve sıvılar nedeniyle sağlık sorunları.

- Hasar görmüş aküleri hiç bir şekilde göndermeyiniz!
- Kısa devreleri önlemek için, akünün bağlantılarını iletken olmayan bir malzeme ile kapatınız.
- Aküleri, çocukların ellerine geçmeyecek şekilde imha ediniz.
- Aküyü size en yakın **Hilti Store**'da imha ediniz veya imha etmek için yetkili şirketinize başvurunuz.



 **Hilti** ürünleri yüksek oranda tekrar kullanılabilen malzemelerden üretilmiştir. Geri dönüşüm için gerekli koşul, usulüne uygun malzeme ayrımıdır. Çoğu ülkede **Hilti** eski aletlerini yeniden değerlendirmek üzere geri alır. Bu konuda **Hilti** müşteri hizmetlerinden veya satış temsilcinizden bilgi alabilirsiniz.



- ▶ Elektrikli el aletlerini, elektronik cihazları ve aküleri evdeki çöplere atmayınız!

10 RoHS (Tehlikeli madde kullanımını kısıtlama direktifi)

Aşağıdaki linkte tehlikeli maddeler tablosunu bulabilirsiniz: qr.hilti.com/r3159232.

RoHS tablosunun linkini bu dokümanın sonunda QR kodu olarak bulabilirsiniz.

11 Üretici garantisi

- ▶ Garanti koşullarına ilişkin sorularınız için lütfen yerel **Hilti** iş ortağınıza başvurunuz.



دليل الاستعمال الأصلي

1 بيانات المستند

1.1 حول هذا المستند

- اقرأ هذه المستندات بالكامل قبل التشغيل. يعتبر هذا شرطا للعمل بشكل آمن والاستخدام بدون اختلالات.
- تراعى إرشادات الأمان والإرشادات التحذيرية الواردة في هذا المستند وعلى الجهاز.
- احتفظ بدليل الاستعمال دائما مع المنتج، ولا تعطي الجهاز لآخرين إلا مرفقا بهذا الدليل.

2.1 شرح العلامات

1.2.1 إرشادات تحذيرية

تبه الإرشادات التحذيرية إلى الأخطار الناشئة عند التعامل مع الجهاز. يتم استخدام الكلمات الدليلية التالية:

خطر 

خطر!

تشير لخطر مباشر يؤدي لإصابات جسدية خطيرة أو إلى الوفاة.

تحذير 

تحذير!

تشير لخطر محتمل قد يؤدي لإصابات جسدية خطيرة أو إلى الوفاة.





احترس! 

احترس!

تشير لموقف خطر محتمل يمكن أن يؤدي لإصابات جسدية أو أضرار مادية.


2.2.1 الرموز في المستند

يتم استخدام الرموز التالية في هذا المستند:

قبل الاستخدام اقرأ دليل الاستعمال	
إرشادات الاستخدام ومعلومات أخرى مفيدة	
التعامل مع مواد قابلة لإعادة التدوير	
لا تتخلص من الأجهزة الكهربائية البطاريات ضمن القمامة المنزلية	

3.2.1 الرموز في الصور

تستخدم الرموز التالية في الرسوم التوضيحية:

تشير هذه الأعداد إلى الصور المعنية بمطلع هذا الدليل	2
ترقيم الصور يمثل ترتيب خطوات العمل في الصور، وقد يختلف عن ترقيم خطوات العمل في النص	3
يتم استخدام أرقام المواضع في صورة العرض العام وهي تشير إلى أرقام تعليق الصورة في فصل عرض عام للمنتج	11
ينبغي أن تسترعي هذه العلامة اهتماما خاصا عند التعامل مع المنتج.	

3.1 الرموز المرتبطة بالمنتج

1.3.1 الرموز على المنتج

قد تكون الرموز التالية مستخدمة على المنتج:



الثقب بدون طرق	
الثقب بالطرق (الثقب المطرقي)	
الدوران جهة اليمين/اليسار	
فئة الحماية II (عزل مزدوج)	
عدد اللغات الاسمي في الوضع الممايد	n ₀
تيار مستمر	
بطارية أيونات الليثيوم	Li-Ion
بطاريات أيونات الليثيوم Hilti المستخدمة من النوع. احرص على مراعاة التعليمات الواردة في الفصل الاستخدام المطابق للتعليمات.	
لا تستخدم البطارية أبداً كمطرقة.	
لا تدع البطارية تسقط. لا تستخدم بطارية تعرضت لصدمات أو أي نوع آخر من التلفيات.	
يدعم الجهاز تقنية NFC المتوافقة مع أنظمة التشغيل iOS و Android.	

4.1 معلومات المنتج

منتجات **HILTI** مصممة للمستخدمين المحترفين ويقتصر استعمالها وصيانتها وإصلاحها على الأشخاص المعتمدين والمدربين جيداً. هؤلاء الأشخاص يجب أن يكونوا قد تلقوا تدريباً خاصاً على الأخطار الطارئة. قد يتسبب الجهاز وأدواته المساعدة في حدوث أضرار إذا تم التعامل معها بشكل غير سليم فنياً من قبل أشخاص غير مدربين أو تم استخدامها بشكل غير مطابق للتعليمات. يوجد مسمى الطراز والرقم المسلسل على لوحة الصنع.

◀ انقل الرقم المسلسل في الجدول التالي. ستحتاج إلى بيانات المنتج في حالة الاستفسارات الموجهة إلى ممثلينا أو مركز الخدمة.

بيانات المنتج

المثقاب المطرقي	TE 4-A22
الجيل	02
الرقم المسلسل	

5.1 بيان المطابقة

نفر على مسؤوليتنا الفردية بأن المنتج المشروح هنا متوافقة مع التشريعات والمواصفات المعمول بها. تجد صورة لبيان المطابقة في نهاية هذا المستند.

المستندات الفنية محفوظة هنا:

Hilti Entwicklungsgesellschaft mbH | Zulassung Geräte | Hiltistraße 6 | 86916 Kaufering, DE

2 السلامة

1.2 إرشادات السلامة العامة المتعلقة بالأدوات الكهربائية

⚠ تحذيراً! احرص على قراءة جميع إرشادات السلامة والتعليمات. أي تقصير أو إهمال في تطبيق إرشادات السلامة والتعليمات قد يتسبب في حدوث صدمة كهربائية أو حريق وأو إصابات خطيرة. احتفظ بجميع مستندات إرشادات السلامة والتعليمات لاستخدامها عند الحاجة إليها فيما بعد.

سلامة مكان العمل

- ◀ حافظ على نطاق عملك نظيفاً ومضاءً بشكل جيد. الفوضى أو أماكن العمل غير المضاءة يمكن أن تؤدي لوقوع حوادث.
- ◀ لا تعمل بالأداة الكهربائية في محيط معرض لخطر الانفجار يتواجد به سوائل أو غازات أو أنواع غبار قابلة للاشتعال. الأدوات الكهربائية تولد شرراً يمكن أن يؤدي لإشعال الغبار والأبخرة.



- ◀ احرص على إبعاد الأطفال والأشخاص الآخرين أثناء استخدام الأداة الكهربائية. في حالة انصراف انتباهك قد تفقد السيطرة على الجهاز.
- السلامة الكهربائية**
- ◀ تجنب تلامس الجسم مع الأسطح المؤرقة مثل المواسير وأجهزة التدفئة والمواعد والثلاجات. ينشأ خطر متزايد من حدوث صدمة كهربائية عندما يكون جسمك متصلاً بالأرض.
- ◀ أبعد الأدوات الكهربائية عن الأمطار أو البلى. تسرب الماء إلى داخل الأداة الكهربائية يزيد من خطر حدوث صدمة كهربائية.
- سلامة الأشخاص**
- ◀ كن يقظاً وانتبه لما تفعل وتعامل مع الأداة الكهربائية بتعقل عند العمل بها. لا تستخدم الأداة الكهربائية عندما تكون متعباً أو تمت تأثير المخدرات أو الكحوليات أو العقاقير. فقد يتسبب عدم الانتباه للحظة واحدة أثناء استخدام الأداة الكهربائية في حدوث إصابات خطيرة.
- ◀ ارتد تجهيزات وقاية شخصية وارتد دائماً نظارة واقية، ارتداء تجهيزات وقاية شخصية، مثل قناع الوقاية من الغبار وأحذية الأمان المضادة للانزلاق وخوذة الوقاية أو واقي السمع، تبعاً لنوع واستخدام الأداة الكهربائية، يقلل من خطر الإصابات.
- ◀ تجنب التشغيل بشكل غير مقصود. تأكد أن الأداة الكهربائية مطفأة قبل توصيلها بالبطارية وقبل رفعها أو حملها. إذا كان إصبعك على المفتاح عند حمل الأداة الكهربائية أو كان الجهاز في وضع التشغيل عند التوصيل بالكهرباء، فقد يؤدي ذلك لوقوع حوادث.
- ◀ أبعد أدوات الضبط أو مفاتيح ربط البراغى قبل تشغيل الأداة الكهربائية. الأداة أو المفتاح المتواجد في جزء دوار من الجهاز يمكن أن يؤدي لحدوث إصابات.
- ◀ تجنب اتخاذ وضع غير طبيعي للجسم. احرص على أن تكون واقفاً بأمان وحافظ على توازنك في جميع الأوقات. من خلال ذلك تستطيع السيطرة على الأداة الكهربائية بشكل أفضل في المواقف المفاجئة.
- ◀ ارتد ملابس مناسبة. لا ترتد ملابس فضفاضة أو حلي. احرص على أن يكون الشعر والملابس والقفازات بعيدة عن الأجزاء المتحركة. الملابس الفضفاضة أو الحلي أو الشعر الطويل يمكن أن تشبكت في الأجزاء المتحركة.
- ◀ إذا أمكن تركيب تجهيزات شفط وتجميع الغبار، فتأكد أنها موصولة ومستخدمة بشكل سليم. استخدام تجهيزة شفط الغبار يمكن أن يقلل الأخطار الناتجة عن الغبار.
- استخدام الأداة الكهربائية والتعامل معها**
- ◀ لا تفرط في التحميل على الجهاز. استخدم الأداة الكهربائية المناسبة للعمل الذي تقوم به. استخدام الأداة الكهربائية المناسبة يتبع لك العمل بشكل أفضل وأكثر أماناً في نطاق العمل المقرر.
- ◀ لا تستخدم أداة كهربائية ذات مفتاح تالف. الأداة الكهربائية التي لم يعد يمكن تشغيلها أو إطفائها تمثل خطورة ويجب إصلاحها.
- ◀ اخلع البطارية من الجهاز قبل إجراء عمليات ضبط الجهاز، أو استبدال أجزاء الملحقات أو عند ترك الجهاز دون استخدام. هذا الإجراء الوقائي يمنع بدء تشغيل الأداة الكهربائية دون قصد.
- ◀ احتفظ بالأدوات الكهربائية غير المستخدمة بعيداً عن متناول الأطفال. لا تسمح باستخدام الجهاز من قبل أشخاص ليسوا على دراية به أو لم يقرأوا هذه التعليمات. الأدوات الكهربائية خطيرة في حالة استخدامها من قبل أشخاص ليست لديهم الخبرة الواجبة.
- ◀ احرص على العناية التامة بالأدوات الكهربائية. افحص الأجزاء المتحركة من حيث أدائها لوظيفتها بدون مشاكل وعدم انحصارها وافحصها من حيث وجود أجزاء مكسورة أو متعرضة للضرر يمكن أن تؤثر سلباً على وظيفة الأداة الكهربائية. اعمل على إصلاح الأجزاء التالفة قبل استخدام الجهاز. الكثير من الحوادث مصدرها الأدوات الكهربائية التي تم صيانتها بشكل رديء.
- ◀ حافظ على أدوات القطع حادة ونظيفة. تتميز أدوات القطع ذات حواف القطع المادة المعتنى بها بدقة بأنها أقل عرضة للتعثُر وأسبل في التعامل.
- ◀ استخدم الأداة الكهربائية والملحقات وأدوات العمل وخلافه طبقاً لهذه التعليمات. احرص في هذه الأثناء على مراعاة اشتراطات العمل والمهمة المراد تنفيذها. استخدام الأدوات الكهربائية في تطبيقات غير تلك المقررة لها يمكن أن يؤدي لمواقف خطيرة.
- استخدام الأداة العاملة بالبطارية والتعامل معها**
- ◀ لا تشحن البطارية إلا في أجهزة شحن موصى بها من قبل الجبة الصانعة. بالنسبة لجهاز الشحن المناسب لنوع معين من البطاريات، ينشأ خطر الحريق عند استخدامه مع بطاريات أخرى.
- ◀ لا تضع في الأدوات الكهربائية سوى البطاريات المخصصة لها. استخدام بطاريات أخرى يمكن أن يؤدي لوقوع إصابات وخطر الحريق.



- ◀ أبعد البطارية غير المستخدمة عن مشابك الورق وقطع النقود المعدنية والمفاتيح والمسامير والبراغي أو الأشياء المعدنية الصغيرة الأخرى التي يمكن أن تتسبب في توصيل الملامسين لبعضهما. حدوث قفلة كهربائية بين أطراف توصيل البطارية يمكن أن ينتج عنه حدوث حروق أو نشوب حريق.
- ◀ عند الاستخدام بشكل خاطئ يمكن أن يتسرب سائل من البطارية. تجنب ملامسته. سائل البطارية المتسرب يمكن أن يؤدي لتبجيش البشرة أو حدوث حروق. اشطفه بالماء في حالة ملامسته عن طريق الخطأ. إذا وصل السائل للعينين، فاطلب معونة طبية بصفة إضافية.

الخدمة

- ◀ اعمل على إصلاح أدواتك الكهربائية على أيدي فنيين معتمدين فقط والاقصر على استخدام قطع الغيار الأصلية. وبذلك تتأكد أن سلامة الأداة الكهربائية تظل قائمة.

2.2 إرشادات السلامة الإضافية للمثاق المطرقي

سلامة الأشخاص

- ◀ اقتصر على استخدام المنتج والملحقات وهم في حالة سليمة من الناحية الفنية.
- ◀ لا تقم أبداً بأية تدخلات أو تغييرات على المنتج أو الملحقات.
- ◀ استخدم المقابض الإضافية الموردة مع المنتج. فقدان السيطرة يمكن أن يؤدي لوقوع إصابات.
- ◀ أثناء أعمال الثقب قم بتأمين النطاق الواقع على الجهة المقابلة للعمل. الشظايا المتناثرة يمكن أن تتطاير و/أو تسقط وتصيب الآخرين.
- ◀ أمسك الجهاز دائما بكلتا اليدين من المقابض المخصصة لذلك. حافظ على جفاف ونظافة المقابض.
- ◀ احرص على مسك المنتج من مواضع المسك المعزولة عند إجراء أعمال يحتمل فيها أن تتلامس أداة الشغل مع أسلاك كهربائية مخفية. حيث أن ملامسة سلك يسري فيه التيار الكهربائي يمكن أن ينقل الجهد الكهربائي للأجزاء المعدنية بالجهاز ويؤدي لحدوث صدمة كهربائية.
- ◀ تجنب ملامسة الأجزاء الدوارة - خطر الإصابة!
- ◀ احرص أثناء استخدام المنتج على ارتداء نظارة واقية وخوذة حماية وواق للسمع وكمامة مناسبة للتنفس.
- ◀ قم بارتداء قفازا واقيا أثناء تغيير الأدوات. ملامسة أداة الشغل قد تؤدي لوقوع إصابات بجروح قطعية وإصابة بحروق.
- ◀ استخدم واقياً للعينين. الشظايا المتطايرة يمكن أن تصيب الجسم والعيون.
- ◀ يمكن أن يحتوي الغبار الناتج عن التجليخ والسفرة والقطع والثقب على مواد كيميائية خطيرة. بعض الأمثلة: الرصاص أو الدهانات التي تحتوي على الرصاص، القرמיד والخرسانة ومنتجات البناء الأخرى وأحجار البناء الطبيعية والمنتجات الأخرى المحتوية على السيليكات، بعض الأخشاب مثل البلوط والزان والأخشاب المعالجة كيميائياً، الأسبستوس أو الغامات المحتوية على الأسبستوس. قم بتحديد مدى تعرض المستخدم والأشخاص المحيطين لفئة خطر الغامات التي يجري العمل عليها. اتخذ التدابير اللازمة للمفاض على مدى التعرض في مستوى آمن، على سبيل المثال، استخدام نظام تجميع الغبار أو ارتداء كمامة مناسبة للتنفس. تشمل التدابير العامة للحد من مدى التعرض ما يلي:
- ◀ العمل في نطاق جيد التهوية،
- ◀ تجنب ملامسة الغبار لفترة طويلة،
- ◀ إزالة الغبار عن الوجه والجسم،
- ◀ ارتداء بزة واقية وغسل المناطق المكشوفة بالماء والصابون.
- ◀ خذ قسطاً من الراحة بشكل متكرر وقم بتمارين استرخاء لسريان الدم في الأصابع بشكل أفضل. عند القيام بأعمال لفترات طويلة، فقد تحدث اضطرابات في الأوعية الدموية أو الجهاز العصبي بسبب كثرة الاهتزازات على الأصابع أو الأيدي أو معصم اليد.

السلامة الكهربائية

- ◀ قبل بدء الأعمال افحص نطاق العمل من حيث وجود توصيلات كهربائية مدفونة أو مواسير للغاز والماء. الأجزاء المعدنية الخارجية بالمنتج يمكن أن تتسبب في صدمة كهربائية أو انفجار، إذا قمت بإتلاف إحدى توصيلات التيار أو ماسورة الغاز أو الماء.

الاستخدام والتعامل بعناية مع الأدوات الكهربائية

- ◀ قم بإيقاف المنتج على الفور، بمجرد تعرض أداة الشغل للإعاقة. يمكن أن ينحرف الجهاز جانباً.
- ◀ انتظر حتى يتوقف المنتج قبل تخزينه.

3.2 التعامل بعناية مع الأجهزة العاملة بالبطاريات واستخدامها

- ◀ تراعى التعليمات الخاصة لنقل وتخزين وتشغيل بطاريات أيونات الليثيوم.
- ◀ أبعد البطاريات عن النار ودرجات الحرارة المرتفعة وأشعة الشمس المباشرة.

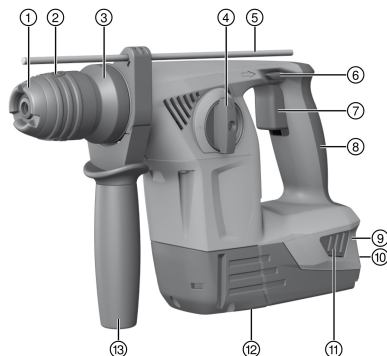


- لا يجوز تفكيك البطاريات أو سحبقها أو وضعها في درجة حرارة أعلى من 80°م (176°ف) أو حرقها.
- لا تستخدم أو تشمن البطاريات التي تعرضت لصدمة، أو سقطت من ارتفاع يزيد على متر أو تعرضت لأية أضرار أخرى. في هذه الحالة، تواصل دائماً مع خدمة Hilti.
- في حالة السخونة الشديدة للبطارية بحيث يتعذر الإمساك بها، فقد تكون تالفة. احرص على وضع البطارية في مكان مرئي وغير قابل للاشتعال مع وجود مسافة كافية من الخانات القابلة للاشتعال. اترك البطارية تبرد. إذا ظلت البطارية ساخنة بعد مرور ساعة لدرجة تعذر لمسها، فهذا يعني أنها تالفة. اتصل بمركز خدمة Hilti.

3 الشرح

1.3 مكونات الجهاز، عناصر الاستعمال والبيان

- ① غطاء الحماية من الغبار
- ② ظرف تركيب الأدوات
- ③ وسيلة تحرير الأداة
- ④ مفتاح اختيار الوظيفة
- ⑤ محدد عمق الثقب
- ⑥ مفتاح تحويل الدوران جهة اليمين/اليسار
- ⑦ مزود بمانع تشغيل
- ⑧ مفتاح التحكم
- ⑨ المقبض
- ⑩ البطارية
- ⑪ بيان حالة الشحن وبيان الأخطاء (بطارية أيونات الليثيوم)
- ⑫ مفاتيح تحرير البطارية
- ⑬ وصلة وحدة الحماية من الغبار -4- DRS TE A(01)
- ⑭ مقبض جانبي



2.3 الاستخدام المطابق للتعليمات

- المنتج المشروح عبارة عن مثقاب مطرقي مشغل بالبطارية. وهو مخصص لعمل الثقوب في الفولاذ والأخشاب والجدران وللتغب بالدق في الخرسانة والجدران، ولربط وحل البراغي.
- اقتصر على استخدام بطاريات أيونات الليثيوم Hilti من النوع B 22 مع هذا المنتج.
 - اقتصر على استخدام أجهزة الشحن المصرح بها من Hilti لهذه البطاريات. تجد المزيد من المعلومات لدى Hilti Store أو على موقع الإنترنت: www.hilti.group

3.3 بيان حالة بطارية أيونات الليثيوم

يمكن إظهار حالة الشحن عند استخدام بطاريات أيونات الليثيوم من خلال النقر على أحد أزرار التحريك.

الحالة	الاستعمال
4 لمبات LED تضيء.	حالة الشحن: 75 % إلى 100 %
3 لمبات LED تضيء.	حالة الشحن: 50 % إلى 75 %
لمبتا LED تضيئان.	حالة الشحن: 25 % إلى 50 %



الحالة	الاستعمال
لمبة LED واحدة تضيء.	حالة الشحن: 10% إلى 25%
لمبة LED واحدة تومض.	حالة الشحن: > 10%

أثناء العمل وبعده مباشرة لا يمكن الاستعلام عن حالة الشحن. في حالة وميض لمبات LED الخاصة ببيان حالة شحن البطارية يرجى مراعاة الإرشادات الواردة في موضوع تحري الأخطاء.

4.3 مجموعة التجهيزات الموردة

المثقاب المطرقي، المقبض الجانبي، محدد العمق، دليل الاستعمال. يتم تقديم وحدة الحماية من الغبار (01) TE DRS-4-A كملحق للعمل دون تصاعد الغبار. تجد المزيد من منتجات النظام المسموح بها للمنتج الخاص بك لدى متجر **Hilti Store** أو على موقع الإنترنت: www.hilti.group

4 المواصفات الفنية

1.4 المثقاب المطرقي

TE 4-A22	
3.9 كجم	الوزن حسب EPTA Procedure 01 شاملا البطارية B228.0
2 جول	طاقة الطرق الفردي طبقا لبروتوكول EPTA 05/2009
4 مم ... 28 مم	نطاق الثقب في الخرسانة/الجران (الثقب المطرقي)
3 مم ... 20 مم	نطاق الثقب في الأخشاب (ريشة ثقب مصممة)
3 مم ... 10 مم	نطاق الثقب في المعادن (ريشة ثقب مصممة)

2.4 معلومات الضوضاء وقيم الاهتزاز

تم قياس قيم ضغط الصوت والاهتزاز الواردة في هذا الدليل طبقا لعملية قياس معايرة ويمكن الاستعانة بها في مقارنة الأدوات الكهربائية مع بعضها البعض. وهي تصلح أيضا لتقدير المخاطر بصورة مؤقتة. المواصفات الواردة تتعلق بالاستخدامات الأساسية للأداة الكهربائية. أما إذا تم استخدام الأداة الكهربائية في تطبيقات أخرى مع أدوات شغل مخالفة للمواصفات أو دون صيانة كافية، ففي هذه الحالة قد تختلف البيانات. وقد يزيد هذا من المخاطر خلال مدة العمل بالكامل بصورة واضحة. ولتقدير المخاطر تقديرا دقيقا ينبغي أيضا مراعاة الأوقات التي يتم فيها إيقاف الجهاز أو التي يكون فيها الجهاز مشغلا ولكن دون استخدام حقيقي. وقد يقلل هذا من المخاطر خلال مدة العمل بالكامل بصورة واضحة. احرص على مراعاة تدابير السلامة الإضافية لحماية المستخدم من تأثير الصوت و/أو الاهتزازات مثل: صيانة الأداة الكهربائية وأدوات العمل والحفاظ على الأيدي في حالة دافئة وتنظيم مراحل العمل.

يتم احتساب قيم الضجيج المنبعث طبقا للمواصفة EN 60745

99 ديسيبل (A)	مستوى شدة الصوت (L_{WA})
3 ديسيبل (A)	نسبة التفاوت لمستوى شدة الصوت (K_{WA})
88 ديسيبل (A)	مستوى ضغط الصوت المنبعث (L_{pA})
3 ديسيبل (A)	نسبة التفاوت لمستوى ضغط الصوت (K_{pA})

يتم احتساب قيم الاهتزاز طبقا للمواصفة EN 60745

11 م/ثانية ²	الثقب بالطرق في الخرسانة ($a_{n, HB}$)
1.5 م/ثانية ²	نسبة التفاوت (K)

3.4 البطارية

21.6 فلت	جهد تشغيل البطارية
17° م ... 60° م	درجة الحرارة المحيطة أثناء التشغيل
20° م ... 40° م	درجة حرارة التخزين
10° م ... 45° م	درجة حرارة البطارية عند بدء الشحن



1.5 التحضير للعمل



تحذير

خطر الإصابة من خلال التشغيل غير المقصود!

- ◀ تأكد قبل إدخال البطاريات أن الجهاز المختص مطفأ.
- ◀ اخلع البطارية قبل إجراء عمليات ضبط الجهاز أو تغيير أجزاء الملحقات التكميلية.

تراجع إرشادات الأمان والإرشادات التحذيرية الواردة في هذا المستند وعلى الجهاز.

1.1.5 تركيب المقبض الجانبي 2

1. أدر المقبض لفك وسيلة تثبيت (شريط الشد) المقبض الجانبي.
2. أدخل وسيلة التثبيت (شريط الشد) من الأمام عبر طرف تركيب الأدوات وصولاً إلى الحز المخصص لذلك.
3. اضبط المقبض الجانبي في الوضع المرغوب.
4. أدر المقبض لشد وسيلة تثبيت (شريط الشد) المقبض الجانبي.

2.1.5 تركيب البطارية 3

1. قم بتركيب البطارية في حامل الجهاز إلى أن تثبت بصوت مسموع.
2. تفحص البطارية من حيث ثباتها في موضعها بشكل جيد.

3.1.5 خلع البطارية 4

1. اضغط على أزرار تحرير البطارية.
2. اخلع البطارية بجذبا إلى الخلف.

4.1.5 تركيب أداة الشغل 5

1. قم بتزليق طرف إدخال أداة الشغل قليلاً.
- ◀ اقتصر على استخدام الشحم الأصلي من Hilti. قد يتسبب نوع الشحم غير الصحيح في الإضرار بالجهاز.
2. أدخل أداة الشغل في طرف تركيب الأدوات حتى النهاية واطركا تثبت في موضعها.
3. بعد التركيب اختبر مدى إحكام القفل من خلال شد الأداة.
- ◀ المنتج جاهز للتشغيل.

5.1.5 فك أداة الشغل 6



احترس:

خطر الإصابة بسبب أداة الشغل! تكون أداة الشغل ساخنة وحادة الحواف.

- ◀ ارتد قفازات واقية عند تغيير أداة الشغل.
- ◀ قم بإرجاع وسيلة تأمين الأداة حتى النهاية وأخرج أداة الشغل.

6.1.5 تركيب محدد العمق (اختياري) 7

1. أدر المقبض لفك وسيلة تثبيت (شريط الشد) المقبض الجانبي.
2. أدخل محدد العمق من الأمام في الثقيبين الدليليين المخصصين لذلك.
3. أدر المقبض لشد وسيلة تثبيت (شريط الشد) المقبض الجانبي.

2.5 العمل



تنبيه

خطر حدوث أضرار من خلال الاستعمال الخاطئ!

- ◀ لا تقم بالضغط على مفاتيح اتجاه الدوران و/أو اختيار الوظيفة أثناء التشغيل.

تراجع إرشادات الأمان والإرشادات التحذيرية الواردة في هذا المستند وعلى الجهاز.



1.2.5 اتجاه الدوران

- اضبط اتجاه الدوران.
- فيثبت المفتاح في هذا الوضع.

2.2.5 الثقب بدون طرق

- اضبط مفتاح اختيار الوظيفة على هذا الرمز:

3.2.5 الثقب بالطرق

- اضبط مفتاح اختيار الوظيفة على هذا الرمز:

6 العناية والصيانة

1.6 العناية والصيانة

تحذير

خطر الإصابة عند تكون البطارية مركبة !

- احرص على خلع البطارية دائما قبل جميع أعمال الإصلاح والعناية!

العناية بالمنتج

- احرص على إزالة الاتساخات شديدة الالتصاق مع توخي الحرص.
- في حالة وجودها، قم بتنظيف فتحات التهوية بحرص باستخدام فرشاة جافة وناعمة.
- قم بتنظيف جسم المنتج باستخدام قطعة قماش مبللة بعض الشيء. لا تستخدم مواد عناية محتوية على سيليكون، نظراً لأنها قد تؤدي إلى تلف الأجزاء البلاستيكية.
- استخدم قطعة قماش نظيفة وجافة لتنظيف ملامسات المنتج.

العناية ببطاريات أيونات الليثيوم

- لا تقم مطلقاً باستخدام بطارية ذات فتحات تهوية مسدودة. قم بتنظيف فتحات التهوية بحرص باستخدام فرشاة جافة وناعمة.
- تجنب تعريض البطارية للغبار أو الاتساخات دون داع. لا تقم مطلقاً بتعرض البطارية للرطوبة المرتفعة (على سبيل المثال، غمرها في الماء أو تركها تحت الأمطار).
- في حالة بلل البطارية، تعامل معها كبطارية تالفة. اعزل البطارية في وعاء غير قابل للاشتعال وتوجه إلى مركز خدمة Hilti.
- حافظ على البطارية خالية من الزيت والشحم الخارجي. لا تسمح للغبار أو الاتساخات بالتراكم دون داع على البطارية. قم بتنظيف البطارية باستخدام فرشاة جافة وناعمة أو قطعة قماش نظيفة وجافة. لا تستخدم مواد عناية محتوية على سيليكون، نظراً لأنها قد تؤدي إلى تلف الأجزاء البلاستيكية.
- لا تلمس ملامسات البطارية ولا تقم بإزالة الشحم الموجود من قبل المصنع عن الملامسات.
- قم بتنظيف جسم المنتج باستخدام قطعة قماش مبللة بعض الشيء. لا تستخدم مواد عناية محتوية على سيليكون، نظراً لأنها قد تؤدي إلى تلف الأجزاء البلاستيكية.

الصيانة

- احرص بصورة منتظمة على فحص الأجزاء المرئية من حيث وجود أضرار وافحص عناصر الاستعمال من حيث كفاءتها الوظيفية.
- لا تقم بتشغيل الجهاز في حالة وجود أضرار و/أو اختلالات وظيفية. احرص على إصلاح الجهاز على وجه السرعة لدى خدمة Hilti.
- بعد أعمال العناية والإصلاح قم بتركيب جميع تجهيزات الحماية وافحصها من حيث الأداء الوظيفي السليم.

للتشغيل الآمن اقتصِر على استخدام قطع الغيار الأصلية وخامات الشغل. تجد قطع الغيار وخامات الشغل والملحقات المصرح بها من Hilti للمنتج الخاص بك في متجر Hilti Store أو على موقع الإنترنت: www.hilti.group

2.6 تنظيف غطاء الحماية من الغبار

- قم بتنظيف غطاء الحماية من الغبار الموجود على طرف تركيب الأدوات بصفة دورية باستخدام فوطة نظيفة جافة.
- قم بتنظيف شفة الإحكام عن طريق مسحها بحرص و قم بتشحيما مرة أخرى بقليل من شحم Hilti.
- يلزم تغيير غطاء الحماية من الغبار في حالة تلف شفة الإحكام.



1.7 نقل وتخزين أدوات الشغل العاملة بطارية والبطاريات
النقل
⚠️ احترس:
التشغيل غير مقصود عند النقل !

◀ قم بنقل المنتج دائماً بدون البطاريات!

- ◀ اخلع البطارية/البطاريات.
- ◀ لا تقم بنقل البطاريات بكميات كبيرة. ينبغي أثناء النقل حماية البطاريات من الاصطدام العنيف والاهتزازات، وكذلك عزلها عن أية مواد موصلة للكهرباء أو أية بطاريات أخرى، وذلك حتى لا تتلامس مع أقطاب بطاريات أخرى ومن ثم حدوث قفلة كهربائية. **احرص على تعليمات النقل المحلية للبطاريات.**
- ◀ لا يجوز إرسال البطاريات عن طريق البريد. توجه إلى شركة شحن، إذا كنت ترغب في إرسال بطاريات غير تالفة.
- ◀ افحص المنتج والبطاريات من حيث وجود أضرار قبل كل استخدام وقبل وبعد النقل لمسافة طويلة.

التخزين
⚠️ تحذير
أضرار غير مقصودة بسبب البطاريات التالفة أو التي بها تسريب.!

◀ قم بتخزين المنتج دائماً بدون البطاريات!

- ◀ احرص على تخزين المنتج والبطاريات في مكان بارد وجاف. احرص على مراعاة القيم الحدية لدرجات الحرارة الواردة في المواصفات الفنية.
- ◀ لا تحتفظ بالبطاريات على جهاز الشحن. قم دائماً بإزالة البطارية من الشاحن بعد انتهاء عملية الشحن.
- ◀ لا تقم أبداً بتخزين البطاريات تحت أشعة الشمس أو في مصادر الحرارة أو خلف الزجاج.
- ◀ احرص على تخزين المنتج والبطاريات والاحتفاظ به بعيداً عن متناول الأطفال والأشخاص غير المصرح لهم .
- ◀ افحص المنتج والبطاريات من حيث وجود أضرار قبل كل استخدام وقبل وبعد التخزين لفترة طويلة.

8 تقصي الأخطاء
1.8 المساعدة في حالات الاختلالات

عند حدوث اختلالات غير مذكورة في الجدول أو يتعذر عليك معالجتها بنفسك، فيرجى التوجه إلى مركز خدمة Hilti.

2.8 لا يكون المثقاب المطرقي جاهزاً للعمل

الخلل	السبب المحتمل	الحل
لمبات LED لا تشير لشيء.	لم يتم إدخال البطارية حتى النهاية.	◀ قم بتثبيت البطارية حتى سماع صوت طقطقة مزدوجة.
	فراغ شحنة البطارية.	◀ قم بتغيير البطارية واشحن البطارية الفارغة.
1 لمبة LED تومض.	فراغ شحنة البطارية.	◀ قم بتغيير البطارية واشحن البطارية الفارغة.
	البطارية ساخنة للغاية أو باردة للغاية.	◀ اعمل على توفير درجة حرارة العمل الموصى بها للبطارية.
4 لمبات LED تومض.	تحميل زائد على المثقاب المطرقي لفترة قصيرة.	◀ اترك مفتاح التحكم واضغط عليه مجدداً.

3.8 يكون المثقاب المطرقي جاهزاً للعمل

الخلل	السبب المحتمل	الحل
لا يتولد طرق.	المثقاب المطرقي بارد للغاية.	◀ ضع المثقاب المطرقي على الأرض واتركه يدور على الفارغ. عند اللزوم كرر هذه العملية حتى يعمل الطارق.



الخلل	السبب المحتمل	الحل
لا يتولد طرق.	مفتاح اختيار الوظيفة مضبوط على وضع "الثقب بدون طرق" .	اضبط مفتاح اختيار الوظيفة على وضع "الثقب المطرقي" T.
	المثقاب المطرقي مضبوط على وضع الدوران جهة اليسار.	اجعل مفتاح تحويل الدوران جهة اليمين/اليسار على وضع الدوران جهة اليمين.
لا يمكن الضغط على مفتاح التحكم أو المفتاح مقفل.	مفتاح تحويل الدوران جهة اليمين/اليسار في الوضع الأوسط.	اضغط على مفتاح تحويل الدوران جهة اليمين/اليسار إلى اليمين أو اليسار.
بريمة الجهاز لا تدور.	تم تجاوز درجة حرارة التشغيل المسموح بها للوحدة الإلكترونية بالمثقاب المطرقي.	اترك المثقاب المطرقي يبرد.
	فراغ شحنة البطارية.	قم بتغيير البطارية واشحن البطارية الفارغة.
المثقاب المطرقي يتوقف أو توماتيكيا.	وسيلة الحماية من التحميل الزائد تقوم بعملها.	اترك مفتاح التحكم. اترك المثقاب المطرقي يبرد. اضغط مجددا على مفتاح التحكم. قم بتخفيف الحمل عن الجهاز.
شحنة البطارية تفرغ بشكل أسرع من المعتاد.	درجة حرارة محيطية شديدة الانخفاض.	قم بتسخين البطارية ببطء على درجة حرارة الغرفة.
البطارية لا تثبت بصوت "قطعة مزدوجة" مسموع.	أطراف تثبيت البطارية متسخة.	قم بتنظيف أطراف التثبيت ثم قم بتركيب البطارية مجددا.
تنشأ سخونة شديدة بالمثقاب المطرقي أو البطارية.	عطل كهربائي	قم بإيقاف المثقاب المطرقي على الفور. قم بإخراج البطارية وافحصها جيدا. واتركها تبرد. اتصل بخدمة Hilti.
	تحميل زائد على المثقاب المطرقي (تجاوز حد الاستخدام).	اختر جهازا مناسباً لمجال الاستخدام.
الأداة لا تتحرر من وضع إحكام التثبيت.	لم تقم بإرجاع ظرف تركيب الأدوات حتى النهاية.	قم بإرجاع وسيلة إحكام قفل الأداة حتى النهاية وأخرج الأداة.
الأداة لا تثقب.	المثقاب المطرقي مضبوط على وضع الدوران جهة اليسار.	اجعل مفتاح تحويل الدوران جهة اليمين/اليسار على وضع الدوران جهة اليمين.
	مفتاح اختيار الوظيفة مضبوط على وضع "الثقب بدون طرق" .	اضبط مفتاح اختيار الوظيفة على وضع "الثقب المطرقي" T.

9 التكبين

تحذير

- خطر الإصابة من جراء التكبين غير المطابق للتعليمات! خطر على الصحة من جراء الغازات والسوائل المتسربة.**
- لا تقم بإرسال أو توريد بطاريات تالفة!
 - قم بتغطية التوصيلات باستخدام مادة غير موصلة للكهرباء وذلك لتجنب حدوث قفلات كهربائية.
 - تخلص من البطاريات بحيث لا تصل إلى متناول الأطفال.
 - تخلص من البطارية لدى متجر **Hilti Store** أو توجه إلى مركز التخلص من النفايات المختص.

منتجات **Hilti** مصنوعة بنسبة كبيرة من مواد قابلة لإعادة التدوير. يشترط لإعادة التدوير أن يتم فصل الغامات بشكل سليم فينيا. في كثير من الدول تقوم **Hilti** باستعادة جهازك القديم لإعادة الانتفاع به. توجه بأسئلك لخدمة عملاء **Hilti** أو لمستشار المبيعات.

لا تعلق الأدوات الكهربائية، الأجهزة الإلكترونية والبطاريات ضمن القمامة المنزلية!



10 مواصفة RoHS (مواصفة تقييد استخدام المواد الخطيرة)

تجد جدولاً بالمواد الخطرة تمت الرابطة التالي: qr.hilti.com/r3159232.
تجد رابطاً خاصاً بجدول المواد التي تخص المواصفة RoHS في نهاية هذا المستند على هيئة كود QR.

11 ضمان الجبة الصانعة

◀ في حالة وجود أية استفسارات بخصوص شروط الضمان، يرجى التوجه إلى وكيل Hilti المحلي التابع لك.



オリジナル取扱説明書

1 文書について

1.1 本書について

- ご使用前に本書をすべてお読みください。このことは、安全な作業と問題のない取扱いのための前提条件となります。
- 本書および製品に記載されている安全上の注意と警告表示に注意してください。
- 取扱説明書は常に製品とともに保管し、他の人が使用する場合には、製品と取扱説明書を一緒にお渡しください。

1.2 記号の説明

1.2.1 警告表示

警告表示は製品の取扱いにおける危険について警告するものです。以下の注意喚起語が使用されています：

危険

危険！

- ▶ この表記は、重傷あるいは死亡事故につながる危険性がある場合に注意を促すために使われます。

警告

警告！

- ▶ この表記は、重傷あるいは死亡事故につながる可能性がある場合に注意を促すために使われます。

注意

注意！

- ▶ この表記は、身体の負傷あるいは物財の損傷が発生する可能性がある場合に使われます。

1.2.2 本書の記号

本書では、以下の記号が使用されています：

	使用前に取扱説明書をお読みください
	本製品を効率良く取り扱うための注意事項や役に立つ情報
	リサイクル可能な部品の取扱い
	工具およびバッテリーを一般ゴミとして廃棄してはなりません

1.2.3 図中の記号

図中では以下の記号が使用されています：

	この数字は本取扱説明書冒頭にある該当図を示しています
	付番は図中の作業手順の順序に対応していて、本文の作業手順とは一致しない場合があります
	概要図には項目番号が付されていて、製品概要セクションの凡例の番号に対応しています
	この記号は、製品の取扱いの際に特に注意が必要なことを示しています。

1.3 製品により異なる記号

1.3.1 製品に表示されている記号

製品には以下の記号が使用されている場合があります：

	回転のみ
--	------



	回転 + 打撃 (回転 + 打撃)
	正逆回転機能
	電気絶縁保護クラス II (二重絶縁)
n_0	無負荷回転数
	直流
Li-Ion	Li-Ionen バッテリー
	使用されているHilti Li-Ion バッテリーのモデルシリーズ。正しい使用の章の記載に注意してください。
	バッテリーは決して打撃工具として使用しないでください。
	バッテリーは落下させないでください。ぶつけたり、あるいはその他の理由で損傷しているバッテリーは使用しないでください。
	本体は、iOS および Android プラットフォームと互換性のある NFC テクノロジーをサポートしています。

1.4 製品情報

HILTI 製品はプロ仕様で製作されており、その使用、保守、修理を行うのは、認定を受けトレーニングされた人のみに限ります。これらの人は、遭遇し得る危険に関する情報を入手していなければなりません。製品およびアクセサリーの使用法を知らない者による誤使用、あるいは規定外の使用は危険です。

機種名および製造番号は銘板に表示されています。

- ▶ 製造番号を以下の表に書き写しておいてください。ヒルティ代理店やサービスセンターへお問い合わせの際には、製品データが必要になります。

製品データ

ロータリーハンマードリル	TE 4-A22
製品世代	02
製造番号:	

1.5 適合宣言

当社は、単独の責任において本書で説明している製品が有効な基準と標準規格に適合していることを宣言します。適合宣言書の複写は本書の末尾にあります。

技術資料は本書の後続の頁に記載されています：

Hilti Entwicklungsgesellschaft mbH | Zulassung Geräte | Hiltistraße 6 | 86916 Kaufering, JA

2 安全

2.1 電動工具の一般安全注意事項

▲ 警告事項！ 安全上の注意および指示事項をすべてお読みください。これらを守らないと、感電、火災および / または重傷事故の危険があります。

安全上の注意および指示事項が書かれた説明書はすべて大切に保管してください。

作業環境に関する安全

- ▶ 作業場はきれいに保ち、十分に明るくしてください。ちらかった暗い場所での作業は事故の原因となります。
- ▶ 爆発の危険性のある環境 (可燃性液体、ガスおよび粉じんのある場所) では電動工具を使用しないでください。電動工具から火花が飛散し、粉じんや揮発性ガスに引火する恐れがあります。
- ▶ 電動工具の使用時、子供や無関係者を作業場へ近づけないでください。作業中に気がそらされると、本体のコントロールを失ってしまう恐れがあります。

電気に関する安全注意事項

- ▶ パイプ、ラジエーター、電子レンジ、冷蔵庫などのアースされた面に体の一部が触れないようにしてください。体が触れると感電の危険が大きくなります。



- ▶ 電動工具を雨や湿気から保護してください。電動工具に水が浸入すると、感電の危険が大きくなります。
- 作業者に関する安全**
- ▶ 電動工具を使用の際には、油断せずに十分注意し、常識をもった作業をおこなってください。疲れている場合、薬物、医薬品服用およびアルコール飲用による影響下にある場合には電動工具を使用しないでください。電動工具使用中の一瞬の不注意が重傷の原因となることがあります。
 - ▶ 個人用保護具および保護メガネを常に着用してください。負傷の危険を低減するために、電動工具の使用状況に応じた粉じんマスク、耐滑性の安全靴、ヘルメット、耳栓などの個人用保護具を着用してください。
 - ▶ 電動工具の不意な始動は避けてください。電動工具をバッテリーに接続する前や持ち上げたり運んだりする前に、電動工具がオフになっていることを確認してください。電動工具のスイッチに指を掛けたまま運んだり、スイッチオンになっている本体を電源に接続すると、事故の原因となる恐れがあります。
 - ▶ 電動工具のスイッチを入れる前に、必ず調節キーやレンチを取り外してください。調節キーやレンチが本体の回転部に装着されたままでは、けがの原因となる恐れがあります。
 - ▶ 作業中は不安定な姿勢をとらないでください。足元を安定させ、常にバランスを保つようにしてください。これにより、万一電動工具が異常状況に陥った場合にも、適切な対応が可能となります。
 - ▶ 作業に適した作業着を着用してください。だぶだぶの衣服や装身具を着用しないでください。髪、衣服、手袋を本体の可動部に近づけないでください。だぶだぶの衣服、装身具、長い髪が可動部に巻き込まれる恐れがあります。
 - ▶ 吸じんシステムの接続が可能な場合には、これらのシステムが適切に接続、使用されていることを確認してください。吸じんシステムを利用することにより、粉じん公害を防げます。

電動工具の使用および取扱

- ▶ 無理のある使用を避けてください。作業用途に適した電動工具を使用してください。適切な電動工具の使用により、効率よく、スムーズかつ安全な作業が行えます。
- ▶ スイッチが故障している場合には、電動工具を使用しないでください。スイッチで始動および停止操作のできない電動工具は危険ですので、修理が必要です。
- ▶ 本体の設定やアクセサリーの交換を行う前や本体を保管する前には、バッテリーを取り外してください。この安全処置により、電動工具の不意の始動を防止することができます。
- ▶ 電動工具をご使用にならない場合には、子供の手の届かない場所に保管してください。本体に関する知識のない方、本説明書をお読みでない方による本体のご使用は避けてください。未経験者による電動工具の使用は危険です。
- ▶ 電動工具は慎重に手入れしてください。可動部分が引っ掛かりなく正常に作動しているか、電動工具の運転に影響を及ぼす各部分が破損・損傷していないかを確認してください。電動工具を再度ご使用になる前に、損傷部分の修理を依頼してください。発生事故の多くは保守管理の不十分な電動工具の使用が原因となっています。
- ▶ 先端工具は鋭利で汚れない状態を保ってください。お手入れのゆきとどいた先端工具を使用すると、作業が簡単かつ、スムーズになります。
- ▶ 電動工具、アクセサリー、先端工具などは、それらの説明書に記載されている指示に従って使用してください。その際は、作業環境および用途についてもご注意ください。指定された用途以外に電動工具を使用すると危険な状況をまねく恐れがあります。

バッテリー工具の使用および取扱

- ▶ バッテリーを充電する場合は、必ずメーカー推奨の充電器を使用してください。特定タイプのバッテリー専用の充電器を他のバッテリーに使用すると、火災の恐れがあります。
- ▶ 電動工具には、必ず指定されたバッテリーを使用してください。指定以外のバッテリーを使用すると、負傷や火災の恐れがあります。
- ▶ 使用されていないバッテリーの近くに、事務用クリップ、硬貨、キー、釘、ネジ、その他の小さな金属物を置かないでください。電気接点の短絡が起こることがあります。バッテリーの電気接点間が短絡すると、火傷や火災が発生する危険があります。
- ▶ バッテリーを正しく使用しないと、液漏れが発生することがあります。その場合、漏れた液には触れないでください。流出したバッテリー液により、皮膚が刺激を受けたり火傷を負う恐れがあります。誤ってバッテリー液に触れてしまった場合は、水で洗い流してください。バッテリー液が眼に入った場合は、水で洗い流して医師の診断を受けてください。

サービス

- ▶ 電動工具の修理は必ず認定サービスセンターにお申し付けください。また、必ず純正部品を使用してください。これにより電動工具の安全性が確実に維持されます。

2.2 ローターハンマードリルに関するその他の安全上の注意

作業者に関する安全

- ▶ 本製品とアクセサリーは、必ず技術的に問題のない状態で使用してください。



- ▶ 本製品あるいはアクセサリーには、決して加工や改造を加えないでください。
- ▶ 製品と一緒に納品された補助ハンドルを使用してください。コントロールを失うとけがをする恐れがあります。
- ▶ 剥がし作業の場合には、作業側と反対の領域を保護してください。剥がれた部分が脱落、落下して他人を負傷させる危険があります。
- ▶ 本製品は、常に両手でグリップを掴んでしっかりと保持してください。グリップは乾燥した清潔な状態を保ってください。
- ▶ 隠れた電線に先端工具が接触する可能性のある作業を行う場合は、必ず本製品を絶縁されたグリップ面で保持するようにしてください。通電しているケーブルと接触すると、本体の金属部分にも電圧がかかり、感電の危険があります。
- ▶ 回転部品に触れないでください - 負傷の危険！
- ▶ 本製品の使用時には、アイシールド、保護ヘルメット、耳栓、および適切な防じんマスクを着用してください。
- ▶ 先端工具の交換時には保護手袋を着用してください。先端工具に触れると、切創事故や火傷の原因となることがあります。
- ▶ アイシールドを着用してください。破片が身体の一部、眼などを傷つけることもあります。
- ▶ 研磨、紙やすり研磨、切断および穿孔の際に発生する粉じんは、化学物質を含んでいる場合があります。これには、鉛、あるいは鉛ベースの塗料、レンガ、コンクリートおよびその他の壁用資材、自然石およびその他の珪酸塩含有製品、樫、樺などの特定の木材、および化学処理の施された木材、アスベストあるいはアスベストが含まれる母材、などが考えられます。作業対象の資材の危険等級により、作業者および周囲の人員の曝露を確認してください。曝露を安全なレベルに維持するために、粉じん吸引システムの使用、あるいは適切な防じんマスクの着用などの必要な処置を取ってください。曝露の低減のための一般的な処置としては、以下のようなものがあります：
 - ▶ 十分に換気された領域での作業
 - ▶ 粉じんと長時間の接触の回避
 - ▶ 粉じんを顔や体から遠ざける
 - ▶ 保護服を着用し、水と石鹸で曝露領域を洗浄する
- ▶ 頻繁に休憩を取って、指を動かして血行を良くするように心がけてください。長時間作業の際には、強い振動により指、手あるいは手首の関節の血管あるいは神経系に障害が発生する可能性があります。

電気に関する安全注意事項

- ▶ 作業を開始する前に、作業領域に埋設された電線、ガス管や水道管がないかを調査してください。電線、ガス管あるいは水道管を損傷すると、本製品外側の金属部分での感電事故、あるいは爆発が発生する可能性があります。

電動工具の慎重な取扱いおよび使用

- ▶ 先端工具がブロックしたら直ちに本製品をオフにします。本製品が横にそれることがあります。
- ▶ 本製品は停止するまで置かないでください。

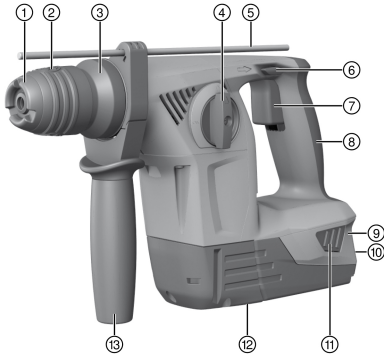
2.3 バッテリーの慎重な取扱いおよび使用

- ▶ Li-Ion バッテリーの搬送、保管、作動については特別規定を守ってください。
- ▶ バッテリーは高温、直射日光および火気を避けて保管してください。
- ▶ バッテリーを分解したり、挟んだり、80 °C (176°F) 以上に加熱したり、燃やしたりしないでください。
- ▶ 衝撃を受けたことのあるバッテリー、1 m を超える高さから落下したことのあるバッテリー、あるいはその他の損傷を被っているバッテリーを使用あるいは充電しないでください。この場合には、必ず最寄りの Hilti サービスセンターにご連絡ください。
- ▶ バッテリーが掴むことのできないほどに熱くなっている場合は、故障している可能性があります。バッテリーを、目視確認が可能で可燃物のない場所に、可燃性の資材から十分な距離を設けて置いてください。バッテリーを冷ます。1 時間の経過後にも掴むことのできないほどに熱い場合は、そのバッテリーは故障している可能性があります。Hilti サービスセンターに連絡してください。



3 製品の説明

3.1 各部名称、操作部 / 表示部名称



- ① 防じんカバー
- ② チャック
- ③ 先端工具ロック解除
- ④ 機能切り替えスイッチ
- ⑤ デプスゲージ
- ⑥ 正回転 / 逆回転切り替えスイッチ (スイッチオンロック付き)
- ⑦ 無段変速スイッチ
- ⑧ グリップ
- ⑨ バッテリー
- ⑩ 充電状態および故障インジケーター (Li-Ion バッテリー)
- ⑪ バッテリーリリースボタン
- ⑫ TE DRS-4-A(01) 集じんモジュール接続部
- ⑬ サイドハンドル

3.2 正しい使用

本書で説明している製品は、充電式ロータリーハンマードリルです。本製品は、鋼材と木材ならびに石材への穿孔 (回転のみ)、コンクリートおよび石材への打撃穿孔、ネジの取付け、取外し用の工具です。

- 本製品には、必ず **Hilti** の B 22 シリーズの Li-Ion バッテリーを使用してください。
- これらのバッテリーには、必ず **Hilti** が承認した充電器を使用してください。詳細情報については、弊社営業担当または **Hilti Store** にお問い合わせいただくか、あるいは **www.hilti.group** でご確認ください。

3.3 Li-Ion バッテリーのインジケーター

Li-Ion バッテリーの使用時には、いずれかのリリースボタンを押すと充電状況を表示させることができます。

状態	意味
4 個の LED が点灯。	充電状態：75 %...100 %
3 個の LED が点灯。	充電状態：50 %...75 %
2 個の LED が点灯。	充電状態：25 %...50 %
1 個の LED が点灯。	充電状態：10 %...25 %
1 個の LED が点滅。	充電状態：< 10 %

作業中および作業直後は、充電状態の読み取りは行えません。バッテリーの充電状態インジケーターの LED が点滅している場合は、「故障かな? と考えた時」の章の注意事項を確認してください。

3.4 本体標準セット構成

ロータリーハンマードリル、サイドハンドル、デプスゲージ、取扱説明書。

粉じんの飛散を防止するために、アクセサリとして TE DRS-4-A(01) 集じんモジュールが提供されています。



その他のご使用の製品用に許可されたシステム製品については、弊社営業担当またはHilti Storeにお問い合わせいただくか、あるいはwww.hilti.groupでご確認ください。

4 製品仕様

4.1 ローターハンマードリル

	TE 4-A22
EPTA Procedure 01 に準拠した重量 (B228.0 バッテリーを含む)	3.9 kg
1 回当たりの打撃力 (EPTA プロシージャ 05/2009 に準拠)	2 J
コンクリート / 石材への穿孔 (ハンマードリルビット)	4 mm ... 28 mm
木材への穿孔 (木工用ドリルビット)	3 mm ... 20 mm
金属への穿孔 (鉄工用ドリルビット)	3 mm ... 10 mm

4.2 騒音および振動値について

本説明書に記載されているサウンドプレッシャー値および振動値は、規格に準拠した測定方法に基づいて測定したものです。電動工具を比較するのにご使用いただけます。曝露値の暫定的な予測にも適しています。記載されているデータは、電動工具の主要な使用方法に対する値です。電動工具を他の用途で使用したり、異なる先端工具を取り付けて使用したり、手入れや保守が十分でないまま使用した場合には、データが異なることがあります。このような相違により、作業時間全体で曝露値が著しく高くなる可能性があります。曝露値を正確に予測するためには、本体のスイッチをオフにしている時間や、本体が作動していても実際には使用していない時間も考慮しなければなりません。このような相違により、作業時間全体で曝露値が著しく低くなる可能性があります。作業者を騒音および / または振動による影響から保護するために、他にも安全対策を立ててください (例：電動工具およびの先端工具の手入れや保守、手を冷やさないようにする、作業手順の計画を立てる)。

騒音排出値、EN 60745 準拠

サウンドパワーレベル (L_{WA})	99 dB(A)
サウンドパワーレベルの不確実性 (K_{WA})	3 dB(A)
排出サウンドプレッシャーレベル (L_{pA})	88 dB(A)
サウンドプレッシャーレベルの不確実性 (K_{pA})	3 dB(A)

合計振動値、EN 60745 に準拠して検査

コンクリートへの打撃穿孔 ($a_{n, HD}$)	11 m/s ²
不確実性 (K)	1.5 m/s ²

4.3 バッテリー

バッテリー作動電圧	21.6 V
作動時の周囲温度	-17 °C ... 60 °C
保管温度	-20 °C ... 40 °C
充電開始時のバッテリー温度	-10 °C ... 45 °C

5 ご使用方法

5.1 作業準備



警告

負傷の危険 意図しない始動!

- ▶ バッテリーを装着する前に、バッテリーを装着する製品のスイッチがオフになっていることを確認してください。
- ▶ 本体の設定、またはアクセサリーの交換の前にバッテリーを取り外してください。

本書および製品に記載されている安全上の注意と警告表示に注意してください。



5.1.1 サイドハンドルを取り付ける 2

1. グリップを回してサイドハンドルのクランピングバンドを緩めます。
2. クランピングバンドを前方から取付け用溝のところまでスライドさせてチャックへと取り付けます。
3. サイドハンドルをご希望の位置にします。
4. グリップを回してサイドハンドルのクランピングバンドを張ります。

5.1.2 バッテリーを装着する 3

1. ロックの音が聞こえるまでバッテリーを本体ホルダーに装着します。
2. バッテリーがしっかりと装着されていることを確認してください。

5.1.3 バッテリーを取り外す 4

1. バッテリーのロック解除ボタンを押します。
2. バッテリーを後方へ引き抜きます。

5.1.4 先端工具を装着する 5

1. 先端工具のコネクションエンドにグリスを軽く塗布します。
 - ▶ 必ず Hilti の純正グリスを使用してください。不適切なグリスを使用すると本体損傷の原因となる場合があります。
2. 先端工具をチャックのストップ位置まで差し込み、ロックさせます。
3. 装着後に先端工具を引っ張り、ロックされているか確認します。
 - ▶ 製品は作動可能状態です。

5.1.5 先端工具を取り外す 6

注意

先端工具による負傷の危険！ 先端工具は熱くなっていたり、エッジが鋭くなっている場合があります。

- ▶ 先端工具を交換する際には保護手袋を着用してください。

- ▶ チャックロックスリーブをストップ位置まで引き戻し、先端工具を取り外します。

5.1.6 デブスゲージを取り付ける (オプション) 7

1. グリップを回してサイドハンドルのクランピングバンドを緩めます。
2. デブスゲージを前方から取付け用の 2 個のガイド穴に通します。
3. グリップを回してサイドハンドルのクランピングバンドを張ります。

5.2 作業

注意

損傷の危険 不正な取扱い！

- ▶ 作動中は、回転方向および / または機能選択用スイッチを操作しないでください。

本書および製品に記載されている安全上の注意と警告表示に注意してください。

5.2.1 回転方向

- ▶ 回転方向を設定します。
 - ▶ スイッチはこの位置でロックされます。

5.2.2 回転のみ 3

- ▶ 機能切り替えスイッチを の位置にします。

5.2.3 回転 + 打撃 3

- ▶ 機能切り替えスイッチを の位置にします。



6 手入れと保守

6.1 手入れと保守



警告

バッテリーを装着した状態における負傷の危険！

▶ 手入れや保守作業の前に必ずバッテリーを取り外してください！

製品の手入れ

- 付着した汚れを慎重に除去してください。
- 汚れが付着している場合は、通気溝を乾いた柔らかいブラシを使用して慎重に掃除してください。
- 必ず少し湿した布でハウジングを拭いてください。シリコンを含んだ磨き粉はプラスチック部品をいためる可能性があるため使用しないでください。
- 本製品の電気接点を清掃するには、清潔な乾いた布を使用してください。

Li-Ion バッテリーの手入れ

- 通気溝が詰まっているバッテリーは決して使用しないでください。通気溝を乾いた柔らかいブラシを使用して慎重に掃除してください。
- バッテリーを不必要に粉じんや汚れに曝さないようにしてください。バッテリーは、決して高い湿度に曝さないでください（例：水中に沈める、あるいは雨中に放置する）。
水分が浸入したバッテリーは、損傷したもものとして取り扱ってください。そのようなバッテリーは不燃性の容器に隔離し、Hilti サービスセンターにご連絡ください。
- バッテリーには、本製品に使用しているのではないオイルやグリスが付着しないようにしてください。バッテリーに不必要な粉じんあるいは汚れが堆積しないようにしてください。バッテリーは、乾いた柔らかいブラシまたは乾いた布で清掃してください。シリコンを含んだ磨き粉はプラスチック部品をいためる可能性があるため使用しないでください。
バッテリーの電気接点に手を触れないでください、また、工場出荷時に塗布されているグリスを電気接点からぬぐい取らないでください。
- 必ず少し湿した布でハウジングを拭いてください。シリコンを含んだ磨き粉はプラスチック部品をいためる可能性があるため使用しないでください。

保守

- 目視確認可能なすべての部品については損傷の有無を、操作エレメントについては問題なく機能することを定期的に点検してください。
- 損傷および / または機能に問題のある場合は、本製品を使用しないでください。速やかにHilti サービスセンターに本製品の修理を依頼してください。
- 手入れおよび保守作業の後は、すべての安全機構を取り付けて、それらが問題なく作動するか点検してください。



安全な作動のために、必ず純正のスペアパーツと消耗品を使用してください。本製品向けにHilti が承認したスペアパーツ、消耗品およびアクセサリは、弊社営業担当またはHilti Store お問い合わせいただくか、あるいはwww.hilti.group

6.2 防じんカバーの清掃

- ▶ チャックの防じんカバーは、清潔な乾いた布で定期的に清掃してください。
- ▶ シーリングリップをていねいに拭き、Hilti グリスを薄く塗布します。
- ▶ シーリングリップに損傷がある場合は、防じんカバーを必ず交換してください。

7 搬送および保管

7.1 バッテリー式工具およびバッテリーの搬送および保管

搬送



注意

搬送時の予期しない始動！

- ▶ お使いの製品は、必ずバッテリーを装着していない状態で搬送してください！
- ▶ バッテリーを取り外してください。
- ▶ バッテリーは決して梱包しない状態で搬送しないでください。搬送中のバッテリーは、他のバッテリー電極と接触して短絡の原因となることを防ぐために、過大な衝撃や振動から保護し、あらゆる導電性の



物体あるいは他のバッテリーから隔離する必要があります。バッテリーの搬送に関する各国（地域）の規則を遵守してください。

- ▶ バッテリーは郵送しないでください。損傷していないバッテリーを送付する場合は、運送業者を手配してください。
- ▶ 使用前にその都度、また長距離の搬送の前後には、製品とバッテリーに損傷がないか点検してください。

保管上の注意事項



警告

故障したあるいは液漏れしたバッテリーによる予期しない損傷！

▶ お使いの製品は、必ずバッテリーを装着していない状態で保管してください！

- ▶ 製品とバッテリーは涼しく乾燥した場所に保管してください。製品仕様に記載されている温度の限界値に注意してください。
- ▶ バッテリーは充電器内で保管しないでください。充電の後は、必ずバッテリーを充電器から取り出してください。
- ▶ バッテリーを太陽の直射下、熱源の上、窓際等で保管しないでください。
- ▶ 製品およびバッテリーは、子供や権限のない人が手を触れることのないようにして保管してください。
- ▶ 使用前にその都度、また長期にわたる保管の前後には、製品とバッテリーに損傷がないか点検してください。

8 故障かな？と思った時

8.1 故障時のヒント

この表に記載されていない、あるいはご自身で解消することのできない故障が発生した場合には、弊社営業担当またはHilti サービスセンターにご連絡ください。



8.2 ロータリーハンマードリルは作動不能状態

故障	考えられる原因	解決策
LED 表示がない。	バッテリーが完全に装着されていない。	▶ バッテリーを「カチッカチツ」と音がするまでロックする。
	バッテリーが放電している。	▶ バッテリーを交換し、空のバッテリーを充電する。
1 個の LED が点滅。	バッテリーが放電している。	▶ バッテリーを交換し、空のバッテリーを充電する。
	バッテリーの温度が高すぎる、または低すぎる。	▶ バッテリーを推奨運転温度まで冷やす / 暖める。
4 個の LED が点滅。	ロータリーハンマードリルの短時間の過負荷。	▶ コントロールスイッチから指を放し、改めてコントロールスイッチを操作する。

8.3 ロータリーハンマードリルは作動可能状態

故障	考えられる原因	解決策
打撃がない。	ロータリーハンマードリルの温度が低すぎる。	▶ ロータリーハンマードリルを母材に接触させて、アイドル回転させる。打撃機構が始動するまでこれを繰り返す。
	機能切り替えスイッチが「回転のみ」に設定されている。	▶ 機能切り替えスイッチを「回転 + 打撃」にする。
	ロータリーハンマードリルが逆回転になっている。	▶ 正回転 / 逆回転切り替えスイッチを正回転にする。
コントロールスイッチが押せない、あるいは動かない。	正回転 / 逆回転切り替えスイッチが中立位置。	▶ 正回転 / 逆回転切り替えスイッチを右または左へ押す。
本体スピンドルが回転しない。	ロータリーハンマードリル本体の電子回路の作動温度が許容範囲を越えている。	▶ ロータリーハンマードリルを冷ます。



故障	考えられる原因	解決策
本体スピンドルが回転しない。	バッテリーが放電している。	▶ バッテリーを交換し、空のバッテリーを充電する。
ロータリーハンマードリルが自動的にオフになる。	過負荷保護機構（スピードレギュレーター）が作動している。	▶ コントロールスイッチから指を放す。ロータリーハンマードリルを冷ます。コントロールスイッチを改めて操作する。負荷を低減する。
バッテリーの消耗が通常よりも早い。	周囲温度が低すぎる。	▶ バッテリーをゆっくり室温まで暖める。
バッテリーが「カチッカチツ」と音がするまでロックされない。	バッテリーのロックノッチが汚れている。	▶ ロックノッチを清掃してバッテリーを改めてロックする。
ロータリーハンマードリルあるいはバッテリーが熱くなる。	電氣的故障	▶ ロータリーハンマードリルを直ちにオフにする。バッテリーを取り外して点検する。バッテリーを冷ます。Hilti サービスセンターに連絡する。
	ロータリーハンマードリルの過負荷（適用基準を超えている）	▶ 用途に適した本体を選択する。
先端工具をロックから取り出せない。	チャックが完全に引き戻されていない。	▶ チャックロックスリーブをストップ位置まで引き戻し、先端工具を取り外す。
先端工具が切削しない。	ロータリーハンマードリルが逆回転になっている。	▶ 正回転 / 逆回転切り替えスイッチを正回転にする。
	機能切り替えスイッチが「回転のみ」  に設定されている。	▶ 機能切り替えスイッチを「回転 + 打撃」  にする。


9 廃棄



警告

誤った廃棄による負傷の危険！ 漏出するガスあるいはバッテリー液により健康を損なう危険があります。

- ▶ 損傷したバッテリーを送付しないでください！
- ▶ 短絡を防止するために接続部を非導電性のもので覆ってください。
- ▶ バッテリーは子供が手を触れることのないように廃棄してください。
- ▶ バッテリーの廃棄は、最寄りのHilti Store あるいは適切な廃棄物処理業者に依頼してください。

 Hilti 製品の大部分の部品はリサイクル可能です。リサイクル前にそれぞれの部品は分別して回収されなければなりません。多くの国でHilti は、古い工具をリサイクルのために回収しています。詳細については弊社営業担当またはHilti 代理店・販売店にお尋ねください。



- ▶ 電動工具、電子機器およびバッテリーを一般ゴミとして廃棄してはなりません！

10 RoHS (有害物質使用制限に関するガイドライン)

下記のリンクより、有害物質を記載した表を確認できます： qr.hilti.com/r/3159232。

本書の最終ページに RoHS 表にリンクした QR コードがあります。

11 メーカー保証

- ▶ 保証条件に関するご質問は、最寄りのHilti 代理店・販売店までお問い合わせください。



오리지널 사용 설명서

1 문서 관련 기재사항

1.1 본 문서에 대해

- 처음 사용하기 전에 본 문서 전체를 읽으십시오. 안전하게 작업하고 문제 없이 취급하기 위한 전제가 됩니다.
- 본 문서 및 제품에 나와 있는 안전 지침 및 경고 지침에 유의하십시오.
- 항상 제품에 있는 사용 설명서를 잘 보관하고 제품은 반드시 본 지침과 함께 다른 사람에게 전달하십시오.

1.2 기호 설명

1.2.1 경고사항

본 제품을 다루면서 발생할 수 있는 위험에 대한 경고사항. 다음과 같은 시그널 워드가 사용됩니다.



위험

위험!

- ▶ 이 기호는 직접적인 위험을 표시합니다. 만약 지키지 않으면 심각한 부상을 당하거나 사망할 수도 있습니다.



경고

경고!

- ▶ 이 기호는 잠재적인 위험을 표시합니다. 만약 지키지 않으면 심각한 부상을 당하거나 사망할 수도 있습니다.



주의

주의!

- ▶ 이 기호는 잠재적인 위험 상황을 표시합니다. 만약 지키지 않으면 부상 또는 물적 손실을 입을 수 있습니다.

1.2.2 문서에 사용된 기호

본 문서에서 사용되는 기호는 다음과 같습니다.

	사용하기 전에 사용설명서를 읽으십시오.
	적용 지침 및 기타 유용한 사용정보
	재사용이 가능한 자재 취급방법
	전기 기기 및 배터리를 일반 가정의 쓰레기처럼 폐기해서는 안 됨

1.2.3 그림에 사용된 기호

다음과 같은 기호가 그림에 사용됩니다.

2	이 숫자는 본 설명서의 첫 부분에 있는 해당 그림을 나타냅니다.
3	매겨진 숫자는 작업 단계의 순서를 나타내며, 텍스트에 매겨진 작업 단계와 차이가 있을 수 있습니다.
⑪	항목 번호는 개요 그림에서 사용되며, 제품 개요 단락에 나와 있는 기호 설명 번호를 나타냅니다.
	이 표시는 제품을 다룰 때, 특별히 주의할 사항을 나타냅니다.

1.3 제품 관련 기호

1.3.1 제품에 사용된 기호

제품에 사용되는 기호는 다음과 같습니다.



	함마링 컷아웃
	타격하여 드릴링(함마드릴링)
	정회전/역회전
	보호 등급 II(이중 절연)
n_0	무부하 회전속도
	직류
Li-Ion	리튬이온 배터리
	사용한 Hilti 리튬이온 배터리 모델 시리즈. 규정에 맞는 사용 단원에 제시된 내용에 유의하십시오.
	배터리는 절대 타격 공구로 사용해서는 안 됩니다.
	배터리를 떨어뜨리지 마십시오. 타격을 받은 적이 있거나 다른 손상이 있는 배터리는 사용하지 마십시오.
	본 기기는 iOS 및 Android 플랫폼과 호환 가능한 NFC 기술을 지원합니다.

1.4 제품 정보

제품은 전문가용으로 설계되어 있으며, 해당 교육을 이수한 공인된 작업자를 통해서만 조작, 유지 보수 및 수리 작업을 진행할 수 있습니다. 이 기술자는 발생할 수 있는 위험에 대해 특별 교육을 받은 상태여야 합니다. 교육을 받지 않은 사람이 제품을 부적절하게 취급하거나 규정에 맞지 않게 사용할 경우에는 기기와 그 보조기구에 의해 부상을 당할 위험이 있습니다.

형식 명칭 및 일련 번호는 형식 라벨에 제시되어 있습니다.

- ▶ 일련 번호를 다음의 표에 옮기십시오. 대리점 또는 서비스 센터에 문의할 경우 제품 제원이 필요합니다.

제품 제원

로타리 함마 드릴	TE 4-A22
세대	02
일련 번호	

1.5 적합성 선언

폐사는 전적으로 책임을 지고 여기에 기술된 제품이 통용되는 기준과 규격에 일치함을 공표합니다. 적합성 증명서 사본은 본 문서 끝 부분에서 확인할 수 있습니다.

기술 문서는 이곳에 기술되어 있습니다.

Hilti Entwicklungsgesellschaft mbH | Zulassung Geräte | Hiltistraße 6 | 86916 Kaufering, DE

2 안전

2.1 전동 공구에 대한 일반적인 안전상의 주의사항

경고! 모든 안전상의 주의사항과 지침을 읽으십시오. 안전상의 주의사항과 지침을 준수하지 않을 경우, 화재 위험이 있으며 감전 그리고/또는 중상을 입을 수 있습니다.

앞으로 모든 안전상 주의사항과 지침을 보관하십시오.

작업장 안전수칙

- ▶ 작업장을 항상 깨끗이 하고 조명이 잘 들도록 하십시오. 어수선한 작업환경 또는 어두운 작업장은 사고를 초래할 수 있습니다.
- ▶ 인화성 액체, 가스 또는 먼지가 있어 폭발 위험이 있는 환경에서는 전동 공구를 사용하지 마십시오. 전동 공구는 먼지나 증기를 점화시킬 수 있는 스파크를 일으킵니다.
- ▶ 전동 공구를 사용할 때, 어린이들이나 다른 사람들이 작업장에 접근하지 못하도록 하십시오. 다른 사람의 방해로 인해 기기를 통제하기 어렵습니다.



전기에 관한 안전수칙

- ▶ 파이프, 히터, 전기레인지, 냉장고와 같은 접지 표면에 신체 접촉을 피하십시오.. 신체에 닿을 경우 감전될 위험이 높습니다.
- ▶ 전동 공구가 비에 맞지 않도록 하고 습한 장소에 두지 마십시오. 전동 공구에 물이 들어가면 감전될 위험이 높습니다.

사용자 안전수칙

- ▶ 신중하게 작업하십시오. 작업에 정신을 집중하고 전동공구를 사용할 때 경솔하게 행동하지 마십시오. 피곤하거나 항정신성 약물, 술 또는 약물 복용 시에는 전동공구를 사용하지 마십시오. 전동공구 사용 시에 유의하지 않을 경우 심각한 부상을 초래할 수 있습니다.
- ▶ 안전 장비를 갖추고 보안경을 착용하십시오. 전동 공구의 종류와 사용에 따라, 먼지 보호 마스크, 미끄럼 방지용 안전 신발, 안전모 또는 귀마개 등과 같은 안전한 보호장비를 착용하면 부상의 위험을 줄일 수 있습니다.
- ▶ 실수로 기기가 작동하지 않도록 주의하십시오. 전동공구를 배터리에 연결하거나 설치 또는 운반하는 경우, 전동공구의 전원이 꺼져 있는지 확인하십시오. 전동공구 운반 시 스위치에 손가락을 대거나 스위치가 켜진 상태에서 전원을 연결하면 사고를 유발할 수 있습니다.
- ▶ 전동 공구의 스위치를 켜기 전, 조정공구 또는 렌치를 제거하십시오. 기기 회전부에 남아있는 공구나 렌치로 인해 부상을 입을 수 있습니다.
- ▶ 작업 시 비정상적인 자세는 피하십시오. 안전한 작업자세가 되도록 하고, 항상 균형을 유지하십시오. 이렇게 하여 예기치 않은 상황에서도 전동 공구를 잘 제어할 수 있습니다.
- ▶ 적합한 작업복을 착용하십시오. 헐렁한 복장이나 장식품을 착용하지 마십시오. 작동하는 기기 가동 부위에 머리, 옷 그리고 장갑이 가까이 닿지 않도록 주의하십시오. 헐렁한 복장, 장식품 혹은 긴 머리가 가동 부위에 밀려 들어갈 수 있습니다.
- ▶ 먼지 제거장치나 수거장치를 설치할 수 있는 기기의 경우, 이 장치들이 연결되어 있는지 그리고 제대로 작동되는지를 확인하십시오. 먼지 포집장치 사용은 먼지로 인한 위험을 줄여줄 수 있습니다.

전동 공구의 취급과 사용

- ▶ 기기에 과부하가 걸리지 않도록 하십시오. 귀하의 작업에 적합한 전동 공구를 사용하십시오. 적합한 전동 공구를 사용하면, 지정된 성능 한도 내에서 더 효율적으로 안전하게 작업할 수 있습니다.
- ▶ 스위치가 고장난 전동 공구는 사용하지 마십시오. 스위치가 작동되지 않는 전동 공구는 위험하므로, 반드시 수리를 해야 합니다.
- ▶ 기기를 설정하거나 부품을 교환하거나 기기를 치우기 전에 배터리를 제거하십시오. 이러한 조치는 실수로 전동공구가 작동하지 않도록 방지합니다.
- ▶ 사용하지 않는 전동공구는 어린이들의 손이 닿지 않는 곳에 보관하십시오. 기기 사용에 익숙치 않거나 또는 이 안전수칙을 읽지 않은 사람이 기기를 사용해서는 안됩니다. 비숙련자가 전동공구를 사용하면 위험합니다.
- ▶ 전동공구를 조심스럽게 관리하십시오. 기기의 가동 부위가 완벽하게 작동하는지, 끼어 있지 않은지, 혹은 부품이 손상되거나 파손되어 있어 전동공구의 기능을 저하시키지 않는지 점검하십시오. 기기 사용 전 손상된 부품을 수리하도록 하십시오. 제대로 관리되지 않은 전동공구는 많은 사고를 유발합니다.
- ▶ 절단기기는 날카롭고 깨끗하게 관리하십시오. 날카로운 절단면이 있고 잘 관리된 절단기기는 끼이는 경우가 드물고 조절하기도 쉽습니다.
- ▶ 본 지침에 따라 전동 공구, 액세서리, 공구 비트 등을 사용하십시오. 이 때 작업 조건과 실시하려는 작업 내용을 고려하십시오. 원래 사용 분야가 아닌 다른 작업에 전동 공구를 사용할 경우, 위험한 상황을 초래할 수 있습니다.

배터리 공구의 취급과 사용

- ▶ 제조회사가 권장한 충전기에만 배터리를 충전시키십시오. 특정한 형식의 배터리를 사용하도록 규정되어 있는 충전기에 다른 배터리를 사용할 경우 화재 발생의 위험이 있습니다.
- ▶ 전동 공구에 적합하게 규정된 배터리만 사용하십시오. 다른 배터리를 사용하면 부상을 입을 수 있고, 화재가 발생할 수 있습니다.
- ▶ 배터리를 사용하지 않을 경우 클립, 동전, 키, 못, 나사 또는 다른 소형 금속 물질로부터 사용하지 않는 배터리를 멀리 떨어뜨려 놓아주십시오. 배터리 간 단락으로 인한 연소 또는 화재를 초래할 수 있습니다.
- ▶ 잘못 사용할 경우, 배터리로부터 전해액이 흘러나올 수 있습니다. 전해액을 직접 만지지 마십시오. 배터리로부터 흘러나온 전해액은 피부를 손상시킬 수 있으며, 화재를 발생시킬 수 있습니다. 의도치 않게 닿은 경우 물로 씻어내십시오. 이 용액이 눈에 들어간 경우, 의사의 도움을 받아 추가적 조치를 취하십시오.

서비스

- ▶ 전동 공구는 반드시 자격을 갖춘 전문 기술자에 의해 그리고 순정 대체부품만 이용하여 수리해야 합니다. 이렇게 하여 전동 공구의 안전성을 계속해서 유지할 수 있습니다.



2.2 그외 로터리 합마 드릴에 관한 안전상의 주의사항

사용자 안전수칙

- ▶ 기술적 하자가 없는 상태에서만 제품 및 액세서리를 사용하십시오.
- ▶ 어떠한 경우에도 제품 또는 액세서리를 변경하거나 개조하지 마십시오.
- ▶ 제품과 함께 공급된 보조 손잡이를 사용하십시오. 기기를 제어하지 못하면 부상을 입을 수 있습니다.
- ▶ 천공 작업 시, 작업할 부분의 반대편이 안전하게 조치를 취하십시오. 발생하는 분쇄물이 빠져 나오거나 또는 떨어지면서 다른 사람이 부상을 입을 수 있습니다.
- ▶ 항상 양손으로 제품의 손잡이를 잡고 공구를 고정시키십시오. 손잡이는 건조하고 깨끗하게 유지하십시오.
- ▶ 숨겨진 전선에 공구 비트가 접촉할 수 있는 작업을 실행할 경우, 항상 제품의 절연된 손잡이 부분을 잡으십시오. 전류가 흐르는 전선과 접촉하면 전동 공구의 금속 부위를 통해 감전이 될 수도 있습니다.
- ▶ 회전하는 부품에 접촉하지 않도록 하십시오. - 부상 위험!
- ▶ 제품을 사용할 때에는 보안경, 안전모, 귀마개 및 적합한 보호 마스크를 착용하십시오.
- ▶ 공구 교체 시 보호장갑을 착용하십시오. 공구 비트에 닿으면 부상을 입거나 화상을 당할 수 있습니다.
- ▶ 보안경을 착용하십시오. 재료의 파편으로 인해 눈 등 신체에 부상을 입을 수 있습니다.
- ▶ 샌딩, 연마, 절단 및 드릴링 작업 시 발생하는 먼지에는 위험한 화학물질이 함유되어 있을 수 있습니다. 예를 들어 납 또는 납 계열의 페인트, 벽돌, 콘크리트 및 기타 조적 벽돌 제품, 자연석 및 기타 실리콘 함유 제품, 참나무, 너도밤나무 및 화학 처리된 목재 등과 같은 특정 목재, 석면 또는 석면이 함유된 자재 등이 있을 수 있습니다. 작업하는 자재의 위험 등급을 따라 조각자 및 주변에 있는 사람들의 노출 정도를 결정하십시오. 안전한 수준에서 노출이 이루어질 수 있도록 예를 들어 먼지 포집장치 사용 또는 적합한 보호 마스크 착용 등 필요한 조치를 취하십시오. 노출을 줄일 수 있는 일반적인 조치:
 - ▶ 환기가 잘 되는 곳에서 작업하기,
 - ▶ 장시간 먼지 접촉 피하기,
 - ▶ 얼굴 및 신체의 먼지를 다른 곳으로 털어내기,
 - ▶ 보호 복장 착용 및 노출된 영역을 비누와 물로 세척하기.
- ▶ 손가락의 혈액순환이 잘 되도록 자주 휴식시간을 갖고, 휴식하는 동안 손가락 운동을 하십시오. 장시간 작업하면 강한 진동으로 인해 혈관 장애 또는 손가락, 손 및 손목의 신경 체계에 이상이 있을 수 있습니다.

전기에 관한 안전수칙

- ▶ 작업을 시작하기 전에, 작업장에서 가려져 있거나 덮혀 있는 전기 배선, 가스 파이프 그리고 하수도관이 있는지를 점검하십시오. 전기 배선, 가스 파이프 또는 하수도관을 손상시킨 경우, 제품 바깥쪽에 있는 금속 부품에서 감전 또는 폭발을 유발할 수 있습니다.

전동 공구의 올바른 사용방법과 취급방법

- ▶ 공구 비트가 블로킹된 경우 즉시 제품의 전원을 끄십시오. 제품이 옆으로 기울어질 수 있습니다.
- ▶ 제품을 내려놓기 전에 제품이 완전히 정지할 때까지 기다리십시오.

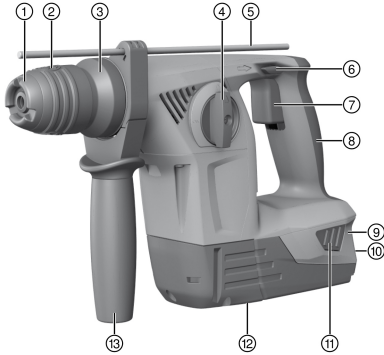
2.3 배터리의 올바른 사용방법과 취급방법

- ▶ 리튬 이온 배터리의 운반, 보관 및 사용에 대한 특수 지침에 유의하십시오.
- ▶ 배터리를 고열, 직사광선 및 화염 근처에 두지 마십시오.
- ▶ 배터리를 분해하거나 강한 압력 또는 80°C (176°F) 이상의 열을 가하거나 연소시켜서는 안됩니다.
- ▶ 충격을 받은 적이 있거나, 1미터가 넘는 높이에서 떨어진 적이 있거나 혹은 다른 방식으로 손상된 배터리는 절대 사용하거나 충전하지 마십시오. 이러한 경우 항상 Hilti 서비스 센터로 문의해 주시기 바랍니다.
- ▶ 배터리를 잡기에 너무 뜨거운 경우에는 고장일 수 있습니다. 배터리를 인화성 물질과 충분한 거리를 둔 상태에서 눈에 잘 띄며 불이 잘 붙지 않는 장소에 두십시오. 배터리를 냉각시키십시오. 한 시간 후에도 계속해서 배터리를 잡기에 너무 뜨거운 경우에는 배터리에 결함이 있을 수 있습니다. Hilti 서비스 센터에 문의 하십시오.



3 제품 설명

3.1 기기 구성 부품, 조작 요소 및 디스플레이 요소



- ① 더스트 캡
- ② 척 아답타
- ③ 공구 잠금장치
- ④ 기능 선택 스위치
- ⑤ 깊이 게이지
- ⑥ 정회전/역회전 스위치(스위치ON 로크 포함)
- ⑦ 컨트롤 스위치
- ⑧ 손잡이
- ⑨ 배터리
- ⑩ 충전상태 표시 및 고장 표시(리튬 이온 배터리)
- ⑪ 배터리 잠금해제 버튼
- ⑫ 먼지제거기 TE DRS-4-A(01) 연결부
- ⑬ 측면 손잡이

3.2 규정에 적합한 사용

기술된 제품은 배터리로 작동되는 로터리 함마 드릴입니다. 본 제품은 콘크리트 및 조적벽돌에서의 함마드릴링, 강재, 목재 및 조적벽돌에서의 드릴링, 볼트를 풀고 조이는 작업에 적합합니다.

- 본 제품에는 모델시리즈 B 22의 Hilti 리튬이온 배터리만 사용하십시오.
- 해당 배터리에는 Hilti에서 승인한 충전기만 사용하십시오. 보다 자세한 정보는 Hilti Store 또는 www.hilti.group에서 확인할 수 있습니다.

3.3 리튬 이온 배터리 표시

리튬 이온 배터리 사용 시 충전 상태는 잠금해제 버튼을 눌러 표시할 수 있습니다.

상태	의미
4개 LED가 점등됨.	충전 상태: 75 % ~ 100 %
3개 LED가 점등됨.	충전 상태: 50 % ~ 75 %
2개 LED가 점등됨.	충전 상태: 25 % ~ 50 %
1개 LED 점등됨.	충전 상태: 10 % ~ 25 %
1개 LED 깜박임.	충전 상태: < 10 %

작업을 하는 동안 그리고 작업을 끝낸 바로 직후에는 충전상태를 확인하는 것이 불가능합니다. 배터리 충전상태 표시 LED가 점멸할 경우, "고장진단" 장의 지침에 유의하십시오.

3.4 공급품목

로터리 함마 드릴, 사이드 핸들, 깊이 게이지, 사용설명서.

작업할 때 본진이 발생하지 않도록 먼지제거기 TE DRS-4-A (01)이 액세서리로 제공됩니다.



해당 제품에 허용되는 기타 시스템 제품은 **Hilti Store** 또는 다음 사이트에서 확인할 수 있습니다.
www.hilti.group

4 기술 지원

4.1 로타리 함마 드릴

	TE 4-A22
EPTA Procedure 01에 따른 무게(B228.0 배터리 포함)	3.9kg
EPTA-Procedure 05/2009에 따른 1회 타격 에너지	2J
콘크리트/벽돌 드릴링 범위(함마 드릴링)	4mm ... 28mm
목재 드릴링 범위(드릴)	3mm ... 20mm
금속 천공 직경(드릴)	3mm ... 10mm

4.2 소음 정보 및 진동 값

이 지침에 제시된 음압 및 진동수준은 표준화된 측정방법에 따라 측정된 것이며, 전동 공구를 서로 비교하기 위한 용도로 사용할 수 있습니다. 음압 및 진동 수준은 노출 정도를 사전에 예측하는 데에도 유용하게 사용할 수 있도록 설계되어 있습니다. 제시된 데이터는 전동 공구의 주된 용도를 나타냅니다. 그러나 전동 공구를 다른 용도로 사용하거나 다른 공구 비트를 사용할 경우 또는 유지보수를 충분히 하지 않은 상태에서는 데이터에 편차가 있을 수 있습니다. 이러한 경우 전 작업시간에 걸쳐 노출이 현저하게 증가할 수 있습니다. 노출을 정확하게 평가하기 위해서는 기기 작동이 멈춰 있거나 또는 작동 중이지만 실제로는 사용하지 않는 시간도 고려해야 합니다. 이러한 경우 전 작업시간에 걸쳐 노출이 현저하게 감소할 수 있습니다. 사용자를 보호하기 위해 음파 그리고/또는 진동이 작용하기 전에 다음과 같은 추가적인 안전 조치를 취하십시오. 전동 공구와 공구 비트의 유지보수, 손을 따뜻하게 유지, 작업순서 정하기 등.

소음 배출값은 EN 60745에 따라 확인

소음 수준 (L_{WA})	99dB(A)
소음 수준 허용공차 (K_{WA})	3dB(A)
음압 수준 (L_{pA})	88dB(A)
음압 수준 허용공차 (K_{pA})	3dB(A)

EN 60745에 따라 측정된 진동 총 값

콘크리트에 함마 드릴링 ($a_{h, HD}$)	11m/s ²
허용공차 (K)	1.5m/s ²

4.3 배터리

배터리 모드 전압	21.6V
작동 시 주변 온도	-17 °C ... 60 °C
보관 온도	-20 °C ... 40 °C
충전 시작 시 배터리 온도	-10 °C ... 45 °C

5 조작

5.1 작업 준비



경고

부상 위험 돌발적인 작동!

- ▶ 배터리를 끼우기 전에 해당 제품의 전원이 꺼져 있는지 확인하십시오.
- ▶ 기기 설정 또는 액세서리를 교체하기 전에 배터리를 제거하십시오.

본 문서 및 제품에 나와 있는 안전 지침 및 경고 지침에 유의하십시오.

5.1.1 측면 손잡이 장착

1. 손잡이를 돌려서 측면 손잡이 홀더(조임 밴드)를 푸십시오.
2. 홀더(조임 밴드)를 앞쪽에서부터 척 아랫타 위로 지정된 홈까지 미십시오.



3. 측면 손잡이를 원하는 위치로 설정하십시오.
4. 손잡이를 돌려서 측면 손잡이 홀더(조임 밴드)를 조이십시오.

5.1.2 배터리 삽입

1. 잠기는 소리가 들릴 때까지 배터리를 기기 홀더 안에 끼우십시오.
2. 배터리가 정확하게 설치되어 있는지 점검하십시오.

5.1.3 배터리 제거

1. 배터리의 잠금 해제 버튼을 누르십시오.
2. 배터리를 뒤쪽으로 당겨서 빼십시오.

5.1.4 공구 비트 끼우기

1. 드릴 생크식 기기 비트를 가볍게 기름칠하십시오
 - ▶ Hilti의 순정 그리스만 사용하십시오. 적합하지 않은 그리스를 사용하면 제품이 손상될 수 있습니다.
2. 공구 비트를 스톱위치까지 적 아답타에 끼우고 장착하십시오.
3. 삽입 후 잡아 당겨보면서 제대로 고정되었는지 점검하십시오.
 - ▶ 제품이 작동 가능한 상태입니다.

5.1.5 공구 비트 분리

주의

공구 비트로 인한 부상 위험! 공구 비트가 뜨겁거나 모서리가 날카로울 수 있습니다.

- ▶ 공구 비트 교체 시 보호장갑을 착용하십시오.

- ▶ 공구 잠금장치를 스톱 위치까지 뒤로 당겨 기기 비트를 빼내십시오.

5.1.6 깊이 게이지 장착(선택사양)

1. 손잡이를 돌려서 측면 손잡이 홀더(조임 밴드)를 푸십시오.
2. 깊이 게이지를 앞쪽에서부터 지정된 2개의 가이드 홀 안쪽으로 미십시오.
3. 손잡이를 돌려서 측면 손잡이 홀더(조임 밴드)를 조이십시오.

5.2 작업

주의

취급 오류로 인한 손상 위험!

- ▶ 작동 중에는 회전방향 선택 그리고/또는 기능 선택 스위치를 작동하지 마십시오.

본 문서 및 제품에 나와 있는 안전 지침 및 경고 지침에 유의하십시오.

5.2.1 회전 방향

- ▶ 회전 방향을 설정하십시오.
 - ▶ 이 위치에서 스위치가 맞물려 끼워집니다.

5.2.2 할마링 컷아웃

- ▶ 기능 선택 스위치를  기호에 두십시오.

5.2.3 타격하여 드릴링

- ▶ 기능 선택 스위치를  기호에 두십시오.

6 유지 관리

6.1 관리 및 유지보수

경고

배터리가 끼워진 상태에서 부상 위험!

- ▶ 관리 및 수리 작업을 진행하기 전에 항상 배터리를 제거하십시오!



제품 관리

- 공구에 부착되어 있는 오염물질을 조심스럽게 제거하십시오.
- 오염물질이 있는 경우, 부드러운 마른 솔로 환기 슬롯을 조심스럽게 청소하십시오.
- 약간 물기가 있는 수건으로만 하우징을 청소해 주십시오. 플라스틱 부품을 손상시킬 수 있으므로 절대로 실리콘이 함유된 보호제를 사용하지 마십시오.
- 제품의 접점을 청소하려면 깨끗하고 마른 천을 사용하십시오.

리튬 이온 배터리 관리

- 환기 슬롯이 막힌 상태에서는 절대 배터리를 사용하지 마십시오. 부드러운 마른 솔로 환기 슬롯을 조심스럽게 청소하십시오.
- 배터리가 불필요하게 먼지 또는 오염물에 노출되지 않도록 하십시오. 배터리를 절대 습도가 높은 곳에 두지 마십시오.(예: 물 속에 담거나 비내리는 곳에 두는 행위).
- 배터리에 물이 들어가면, 손상된 배터리처럼 취급하십시오. 물이 들어간 배터리는 비가연성 용기에서 절연시킨 후, Hilti 서비스 센터에 문의해 주십시오.
- 배터리를 외부 오일 및 그리스가 묻지 않도록 깨끗하게 유지하십시오. 배터리에 불필요하게 먼지 또는 오염물이 쌓이지 않도록 하십시오. 배터리를 부드러운 마른 솔 또는 깨끗하고 마른 걸레로 닦아내십시오. 플라스틱 부품을 손상시킬 수 있으므로 절대로 실리콘이 함유된 보호제를 사용하지 마십시오.
- 배터리의 접점에 접촉하지 말고, 접점에서 공구축에 부착된 그리스를 제거하지 마십시오.
- 약간 물기가 있는 수건으로만 하우징을 청소해 주십시오. 플라스틱 부품을 손상시킬 수 있으므로 절대로 실리콘이 함유된 보호제를 사용하지 마십시오.

유지보수

- 눈에 보이는 모든 부품은 정기적으로 손상 여부를 점검하고 조작용소가 아무 문제 없이 작동하는지 점검하십시오.
- 손상되었거나 기능 장애가 있는 경우에는 제품을 작동하지 마십시오. 즉시 Hilti 서비스 센터에 제품 수리를 의뢰하십시오.
- 관리 및 수리 작업 후 모든 보호장치를 가져와 기능에 이상이 없는지 점검하십시오.



안전한 사용을 위해서 순정 예비 부품 및 소모품만을 사용하십시오. Hilti에서 승인한 예비 부품, 소모품 및 액세서리는 **Hilti Store** 또는 **www.hilti.group**

6.2 더스트 캡 청소

- ▶ 깨끗한 마른 걸레를 이용하여, 척 아답타의 더스트 캡을 정기적으로 청소하십시오.
- ▶ 씰링 립을 조심스럽게 깨끗하게 닦아낸 다음, Hilti 그리스를 다시 약간 바르십시오.
- ▶ 씰링 립이 손상되었을 경우, 반드시 더스트 캡을 교환하십시오.

7 운반 및 보관

7.1 충전식 공구 및 배터리 운반 및 보관

운반



주의

운반 시 돌발적으로 작동됨!

- ▶ 제품은 항상 배터리를 장착하지 않은 상태로 운반하십시오!
- ▶ 배터리를 분리하십시오.
- ▶ 배터리를 고정하지 않은 채로 운반해서는 절대 안 됩니다. 운반하는 도중 배터리에 과도한 충격을 받거나 진동이 발생하지 않게 하고 모든 전도성 소재 또는 다른 배터리로부터 분리시켜 다른 배터리 전극에 닿지 않고 단락이 발생하지 않게 하십시오. 배터리와 관련된 현지 운반 규정에 유의하십시오.
- ▶ 배터리는 우편을 통해 전달할 수 없습니다. 손상이 없는 배터리를 전송하고자 하는 경우 배송업체에 문의하십시오.
- ▶ 제품 및 배터리를 사용하기 전에 그리고 장시간 운반한 후에는 항상 손상 여부를 점검하십시오.

보관



경고

배터리 결함 또는 방전으로 인한 돌발적인 손상!

- ▶ 제품은 항상 배터리를 장착하지 않은 상태로 보관하십시오!
- ▶ 제품 및 배터리를 냉각 및 건조시켜 보관하십시오. 기술자료에 제시된 허용 온도 한계값에 유의하십시오.
- ▶ 배터리를 충전기에 보관하지 마십시오. 충전 후에는 항상 배터리를 충전기에서 분리하십시오.
- ▶ 배터리는 절대 직사광선이 들어오는 곳, 열원 위 또는 유리 뒤쪽에 보관하지 마십시오.



- ▶ 제품 및 배터리는 건조한 상태로 어린이나 외부인의 손이 닿지 않는 곳에 보관하십시오.
- ▶ 제품 및 배터리를 사용하기 전에 그리고 장시간 보관한 후에는 항상 손상 여부를 점검하십시오.

8 고장진단

8.1 문제 발생 시 도움말

본 도표에 제시되어 있지 않거나 스스로 해결할 수 없는 문제가 발생한 경우 **Hilti** 서비스 센터에 문의해 주십시오.

8.2 로타리 함마 드릴이 작동되지 않습니다.

장애	예상되는 원인	해결책
LED가 아무것도 나타내지 않습니다.	배터리가 완전하게 삽입되지 않음.	▶ 이중으로 찰각하는 소리가 들릴 때까지 배터리를 맞물려 고정시키십시오.
	배터리를 방전시키십시오.	▶ 배터리를 교체하고 방전된 배터리를 충전하십시오.
1개 LED가 깜박입니다.	배터리를 방전시키십시오.	▶ 배터리를 교체하고 방전된 배터리를 충전하십시오.
	배터리 과열 또는 과냉 상태.	▶ 배터리를 권장된 작동온도 상태로 유지합니다.
4개 LED가 깜박입니다.	로타리 함마 드릴 잠깐 동안 과부하.	▶ 컨트롤 스위치에서 손을 떼고 스위치를 다시 조작하십시오.

8.3 로타리 함마 드릴이 작동됩니다.

장애	예상되는 원인	해결책
타격이 되지 않음.	로타리 함마 드릴 과냉 상태.	▶ 로타리 함마 드릴을 바닥에 두고 공회전 상태로 작동시키십시오. 필요한 경우 함마링 장치가 작동될 때까지 과정을 반복하십시오.
	"함마링 쿼아웃"에 놓인 기능 선택 스위치	▶ 기능 선택 스위치를 "함마드릴링" 위치에 두십시오
	로타리 함마 드릴을 역회전 위치로 전환하십시오.	▶ 정회전/역회전 스위치를 '정회전' 위치로 전환하십시오.
컨트롤 스위치를 누를 수가 없음 또는 블로킹됨.	정회전/역회전 스위치가 중간위치에 있음.	▶ 정회전/역회전 스위치를 좌측 또는 우측으로 누르십시오.
기기 스피들이 회전하지 않음.	로타리 함마 드릴 일렉트로닉의 허용되는 작동 온도를 초과함.	▶ 로타리 함마 드릴을 냉각시키십시오.
	배터리를 방전시키십시오.	▶ 배터리를 교체하고 방전된 배터리를 충전하십시오.
로타리 함마 드릴이 자동으로 꺼지지 않음.	과부하 방지 기능 작동됨.	▶ 컨트롤 스위치에서 손을 떼십시오. 로타리 함마 드릴을 냉각시키십시오. 컨트롤 스위치를 조작하십시오. 기기 부하를 줄이십시오.
배터리가 평소보다 빨리 방전됨.	주변 온도가 너무 낮음.	▶ 배터리를 서서히 실내 온도로 가열하십시오.
배터리를 밀어 넣을 때 "이중으로 찰각하는 소리"가 들리지 않음.	배터리 래치 오염됨.	▶ 배터리 래치를 청소하고 배터리를 다시 끼우십시오.
로타리 함마 드릴 또는 배터리에서 과도한 열 발생.	전기적 결함	▶ 로타리 함마 드릴의 전원을 끄십시오. 배터리를 제거한 후 배터리를 관찰하십시오. 배터리를 냉각시키십시오. Hilti 서비스센터에 문의하십시오.



장애	예상되는 원인	해결책
로타리 함마 드릴 또는 배터리에서 과도한 열 발생.	로타리 함마 드릴 과부하(사용 한계 초과).	▶ 용도에 적합한 기기를 선택하십시오.
드릴 비트가 잠금상태에서 풀리지 않음.	척 아답타를 완전히 뒤로 당기지 않았음	▶ 공구 잠금장치를 스톱 위치까지 뒤로 당겨 공구를 빼내십시오.
드릴 비트 작업이 진행되지 않음.	로타리 함마 드릴을 역회전 위치로 전환하십시오. "함마링 컷아웃"에 놓인 기능 선택 스위치	▶ 정회전/역회전 스위치를 '정회전' 위치로 전환하십시오. ▶ 기능 선택 스위치를 "함마드릴링" 위치에 두십시오 .

9 폐기



경고

부적절한 폐기로 인한 부상 위험! 새어나오는 가스 또는 용액으로 인한 건강상의 위험.

- ▶ 손상된 배터리는 전달하지 마십시오!
- ▶ 비전도성 소재로 연결 단자를 막아 두어 단락이 발생하지 않게 하십시오.
- ▶ 배터리가 어린이의 손에 닿지 않도록 폐기하십시오.
- ▶ **Hilti Store**에서 배터리를 폐기하거나 또는 담당 폐기물 처리 업체에 문의하십시오.

Hilti 제품은 대부분 재사용이 가능한 소재로 제작되었습니다. 재활용을 위해 개별 부품을 분리하여 주십시오. **Hilti**는 대부분의 국가에서 재활용을 위해 노후기기를 수거해 갑니다. **Hilti** 고객 서비스 센터 또는 판매 담당자에게 문의하십시오.



- ▶ 전동 공구, 전자식 기기 및 배터리를 일반 가정 쓰레기로 폐기하지 마십시오!

10 RoHS (유해물질 사용 제한 지침)

아래 링크에서 유해물질에 관한 도표를 확인할 수 있습니다. qr.hilti.com/r3159232.
RoHS 도표로 이어지는 링크는 본 문서 끝에 QR 코드 형식으로 제시되어 있습니다.

11 제조회사 보증

- ▶ 보증 조건에 관한 질문사항은 현지 **Hilti** 파트너사에 문의하십시오.

原始操作說明

1 文件相關資訊

1.1 關於此文件

- 初次操作或使用前，請先詳讀此文件。本文件包含安全前提、疑難排解處理和產品使用。
- 請遵守本文中與產品上的安全說明和警告。
- 操作說明應與產品一起保管，產品交予他人時必須連同操作說明一起轉交。

進口商: 喜利得股份有限公司

地址: 新北市板橋區

新站路16號24樓22041

電話: 0800-221-036

1.2 已使用的符號說明

1.2.1 警告

警告使用本產品的人員可能發生之危險。採用了以下標示文字：



危險

危險！

▶ 此標語警示會發生對人造成嚴重傷害甚至致死的危險情形。

警告

警告！

▶ 此標語警示會造成嚴重傷害甚至致死危險的潛在威脅。

注意

注意！

▶ 請小心會造成人員受傷或對設備及其他財產造成損害的潛在危險情況。

1.2.2 文件中的符號

本文中採用以下符號：

	使用前請閱讀操作說明。
	使用說明與其他資訊
	處理可回收的材料
	不可將電子設備與電池當作家庭廢棄物處置

1.2.3 圖解中的符號

圖解中採用了以下符號：

	號碼對應操作說明的開始處的圖解
	編號代表圖解中的操作步驟順序，可能與內文中的步驟有所不同
	項目參考編號用於總覽圖解，並請參閱產品總覽章節中使用的編號
	本符號是為了讓您在操作本產品時可以注意某些重點。

1.3 產品專屬符號

1.3.1 產品上的符號

產品上會採用下列符號：

	鑽孔時無鎚擊動作
	以鎚擊動作進行鑽孔（鎚擊鑽孔）
	正轉 / 逆轉
	防護等級II（雙重絕緣）
n_0	無負載下額定轉速
	直流電（DC）
Li-Ion	鋰電池
	使用Hilti鋰電池類型系列。請遵守用途一節所提供之資訊。
	請勿將電池使用作為敲擊工具。



	避免電池掉落。不得使用遭受衝擊或其他原因遭到損壞的電池。
	機具支援近距離無線通訊 (NFC) 技術，其相容於iOS及Android平台。

1.4 產品資訊

HILTI 產品是針對專業使用者設計，故僅經訓練、認可的人員可操作、維修與維護本產品。必須告知上述人員關於可能遭遇到的特殊危險。若因未經訓練人員操作錯誤或未依照其原本的用途操作，則本產品和它的輔助工具設備有可能會發生危險。

類型名稱和序號都標示於額定銘牌上。

▶ 在下方表格中填入序號。與Hilti維修中心或當地Hilti機關聯絡查詢產品相關事宜時，我們需要您提供產品詳細資訊。

產品資訊

旋轉鍵	TE 4-A22
產品代別	02
序號	

1.5 符合聲明

基於我們唯一的責任，本公司在此聲明本產品符合適用的指示或標準。本文件結尾處有符合聲明之副本。技術文件已歸檔並存放在：

Hilti Entwicklungsgesellschaft mbH | Tool Certification | Hiltistraße 6 | 86916 Kaufering, DE

2 安全性

2.1 一般電動機具安全警告

⚠ 警告

請詳閱所有的安全警示及說明。未能遵守以下警示及說明可能會造成電擊事故、火災和 / 或嚴重的傷害。妥善保存所有警示及說明，以供將來參考。

工作區域安全

- ▶ 請保持工作區的清潔與採光充足。雜亂而昏暗的工作區會導致意外發生。
- ▶ 勿在容易發生爆炸的環境中使用機具，例如有可燃性液體、瓦斯或粉塵存在的環境。機具產生的火花可能會引燃塵埃或煙霧。
- ▶ 操作機具時，請與兒童及旁人保持距離。注意力不集中時容易發生失控的情形。

電力安全

- ▶ 避免讓身體碰觸到如管線、散熱器、爐灶與冰箱等與土地或地表接觸之物品。如果您的身體接觸到地表或地面，將增加電擊的危險。
- ▶ 請勿將機具曝露在下雨或潮濕的環境中。若水氣進入機具中將增加觸電的危險。

人員安全

- ▶ 操作機具時，請提高警覺，注意進行中的工作並善用常識。感到疲勞或受到藥物、酒精或治療的影響時勿使用機具。操作機具時稍不留神就可能造成嚴重的人員傷亡。
- ▶ 穿戴個人防護裝備。請隨時穿戴眼罩。適當使用防塵面罩、防滑鞋、安全帽及耳罩等安全防護配備可減少人員的傷害。
- ▶ 避免不經意的啟動。在接上電池組、抬起或攜帶機具之前，務必確認開關處於關閉的位置。攜帶機具時，如果把手指放在開關上，或在開關開啟時，將機具插上插頭容易發生意外。
- ▶ 啟動機具前，應將所有調整鑰匙或扳手移開。將扳手或鑰匙留在機具的旋轉零件中可能會造成人員傷害。
- ▶ 勿將手伸出過遠。隨時站穩並維持平衡。這可讓您在意外情況發生時，對機具有較好的控制。
- ▶ 穿著適當服裝。請勿穿著寬鬆的衣服或佩戴珠寶。頭髮、衣服與手套應遠離移動性零件。移動性零件可能會夾到寬鬆的衣服、珠寶或長髮。
- ▶ 如果機具可連接吸塵裝置與集塵設備，請連接並適當使用這些設備。使用集塵裝置可降低與粉塵有關的危險。

機具使用與保養

- ▶ 不可強制使用機具。依據用途使用正確的機具。根據設計的速率使用機具可更快速安全地完成工作。
- ▶ 若開關無法啟動或關閉電動工具時，請勿使用電動工具。任何無法以開關控制的機具都很危險且需要維修。



- ▶ 在對電動工具進行調整、更換配件或存放前，請先拔下電池組。此預防安全措施可降低機具意外啟動的風險。
- ▶ 將閒置的機具貯放在兒童拿不到的地方，勿讓不熟悉或未詳閱本說明的人員操作本機具。機具在未經訓練的使用者手中是很危險的。
- ▶ 維護機具。請檢查移動性零件有無偏移或黏合的情形、零件有無破損，以及任何會影響機具運轉的狀況。如果機具受損，請先修理再使用。很多意外便是由維護不當的機具造成的。
- ▶ 保持切割機具的銳利與清潔。具銳利切割邊緣的切割機具如果得到適當的維護，便較不會發生黏合的現象，且較容易控制。
- ▶ 遵守本指示說明使用機具、配件和工具組等，並考量工作條件與待進行的工作。將機具用在原目的外之用途可能會造成危險。

電池機具的使用與保養

- ▶ 僅使用原廠指定的充電器進行充電。將適合特定類型電池的充電器使用在其它電池時，會有引發火災的危險。
- ▶ 請僅使用機具特別指定的電池匣。使用其他電池匣可能會造成人員傷亡與火災。
- ▶ 電池匣未使用時，請將其遠離如迴紋針、錢幣、鑰匙、針、固定釘或其他會在電池兩極間形成連結的小型金屬物件。在電池兩極間建立短路會造成灼傷或引起火災。
- ▶ 若使用不當，可能有液體由電池流出；請避免接觸該液體。若不慎接觸，請以清水沖洗。如果不小心讓液體接觸到眼睛，請立即尋求醫療援助。從電池中滲出的液體，可能會導致過敏或燙傷。

維修服務

- ▶ 請將機具交給合格的維修人員進行維修，並使用相同的替代零件。這可確保維護機具安全。

2.2 旋轉錐的其他安全說明

人員安全

- ▶ 僅在本產品和配件能正常運轉時使用。
- ▶ 勿嘗試以任何方式改裝產品或配件。
- ▶ 請使用本產品隨附的輔助握把。機具失控可能會導致人員受傷。
- ▶ 若工作包含鑿穿作業，請於工件另一面一併採取適當的防護措施。鑿穿的碎片會掉落和 / 或造成他人受傷。
- ▶ 以雙手握持機具本身握把。請保持機具握把清潔和乾燥。
- ▶ 在執行行配件工具可能會接觸到隱藏線路之工作時，請以握住絕緣握把的方式手持本產品。若配件工具與帶電線路接觸，機具的金屬零件也會通電，而造成觸電的情況。
- ▶ 不可碰觸旋轉中零件 – 有受傷的危險！
- ▶ 使用本產品時請配戴護目鏡、安全帽、耳罩和合適的防護面罩。
- ▶ 更換配件工具時，請穿戴防護手套。觸摸配件工具會造成割傷或灼傷。
- ▶ 穿戴護目鏡。飛散的碎片會傷到人體或眼睛。
- ▶ 研磨、切割和鑽孔時產生的粉塵可能含有危險的化學物質。例如：鉛或以鉛為基底的顏料；磚塊、混凝土和其他建材產品、天然石材和其他含矽酸鹽的產品；橡木、山毛櫸等特定木材以及化學處理的木材；石棉或含有石棉的物質。根據操作員工作時接觸的物質危險等級來決定操作員和其他人員暴露在該環境的程度。採取必要的措施，以將暴露相關條件維持在安全等級上，例如：使用吸塵系統或配戴合適的防護面罩。降低在該環境下的暴露程度的一般措施包括：
 - ▶ 工作區域保持良好通風
 - ▶ 避免長時間接觸粉塵
 - ▶ 清除臉部和身體上的粉塵
 - ▶ 穿著防護衣，用水和肥皂清洗裸露在外的身體部位
- ▶ 請經常休息，並活動您的手指以促進血液循環。長時間暴露在劇烈震動下會造成手指、手掌和手腕的血管或神經系統失調。

電力安全

- ▶ 開始工作前，請先檢查工作區域是否有隱藏的電纜線、瓦斯管或水管。電線、天然氣管線或水管若損壞，本產品外側上的金屬零件可能導致觸電或爆炸。

小心處理與使用電子機具

- ▶ 若配件工具卡住或空轉，請關閉本產品。本產品可能會無法控制並偏向一側。
- ▶ 請等候本產品完全靜止再將其放下。

2.3 小心處理和使用電池

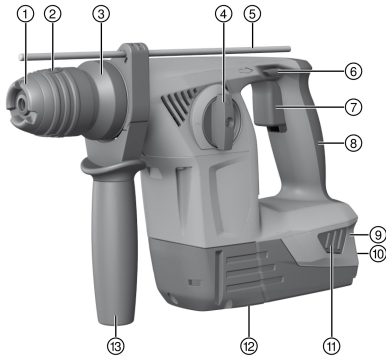
- ▶ 遵守適用於鋰電池之運送、存放與使用的特別指南。
- ▶ 請勿讓電池暴露在高溫下、讓陽光直接照射或接觸火焰。



- ▶ 請勿拆解、擠壓或焚燒電池，且不可將電池置放在溫度超過80°C (176°F) 的環境中。
- ▶ 請勿使用或充電受到機構性衝擊、從高處摔落或有損壞跡象之電池。在此情況下，務必聯絡Hilti維修中心。
- ▶ 若電池溫度過高無法觸摸，表示電池可能已經毀損。將電池放在清楚可見且沒有火災危險、遠離易燃材料的位置。讓電池冷卻。若一小時後電池溫度仍然過高無法觸摸，表示電池可能已經毀損。聯絡Hilti維修中心。

3 說明

3.1 零件、操作控制與指示燈



- ① 防塵罩
- ② 夾頭
- ③ 配件工具拆卸裝置
- ④ 功能選擇開關
- ⑤ 深度計
- ⑥ 帶有安全鎖的正轉 / 逆轉選擇開關
- ⑦ 控制開關
- ⑧ 握把
- ⑨ 電池
- ⑩ 充電狀態和故障顯示幕 (鋰電池)
- ⑪ 電池拆卸鈕
- ⑫ TE DRS-4-A(01)除塵設備組連接頭
- ⑬ 側向握把

3.2 用途

本產品為電池動力旋轉鉗。適用於鋼板、木材、水泥牆鑽孔和混凝土牆鉗擊鑽孔，以及裝卸螺絲。

- 本產品限使用B 22系列Hilti鋰電池。
- 僅可使用經Hilti認可的電池充電器為電池充電。可從Hilti Store或www.hilti.group取得更多資訊。

3.3 鋰電池電量顯示

當使用鋰電池時，輕觸一下電池拆卸鈕會顯示其充電狀態。

狀態	意義
4個LED亮起。	充電狀態：75 %至100 %
3個LED亮起。	充電狀態：50 %至75 %
2個LED亮起。	充電狀態：25 %至50 %
1個LED亮起。	充電狀態：10 %至25 %
1個LED閃爍。	充電狀態：< 10 %

當機具正在操作或剛操作後無法讀取其電池充電狀態。若電池充電狀態LED燈閃爍，請參閱故障排除一節所提供的資訊。



3.4 配備及數量

旋轉鏈、側向握把、深度計、操作說明。

TE DRS-4-A (01)除塵設備組可大幅減少粉塵量，為可搭配使用的配件。

關於本產品，您可於當地www.hilti.group或網站查詢其他經過認證可搭配使用的系統產品：[Hilti Store](#)

4 技術資料

4.1 旋轉鏈

	TE 4-A22
重量 (依據EPTA Procedure 01) , 含B228.0電池	3.9 kg
單次衝擊力 (依據EPTA程序05/2009)	2 J
混凝土 / 石材鑽孔直徑範圍 (鎚擊鑽孔)	4 mm ... 28 mm
木材鑽孔直徑範圍 (實心)	3 mm ... 20 mm
金屬鑽孔直徑範圍 (實心鑽頭)	3 mm ... 10 mm

4.2 噪音資訊及震動值

操作說明中所提供之音壓和震動值已參照標準測量，並可用來比較不同電子機具之噪音。它們也可作為噪音量的初步評估。提供之資料表示電子機具主要應用時之數值。若電子機具應用於不同之用途，搭配不同的配件工具或在保養不良的情況下，其數據可能有所不同。在作業過程中，這有可能大量提高其噪音量。當機具關閉，或開啟但未進行任何作業時也應列入考量，才能準確評估噪音量。如此一來，作業過程中的總噪音量將大幅降低。確認其他安全措施，以保護操作員不受噪音和 / 或震動影響，例如：保養電子機具與其配件、操作前保持雙手溫暖、作業型式之安排等。

噪音值測量標準依據EN 60745

聲功率級數 (L_{WA})	99 dB(A)
無法判定的聲功率級數 (K_{WA})	3 dB(A)
釋放的音壓級數 (L_{pA})	88 dB(A)
無法判定的音壓級數 (K_{pA})	3 dB(A)

總震動量測量標準依據EN 60745

混凝土鎚擊鑽孔 ($a_{h, HD}$)	11 m/s ²
無法判定 (K)	1.5 m/s ²

4.3 電池

電池操作電壓	21.6 V
操作時的環境溫度	-17 °C ... 60 °C
貯放溫度	-20 °C ... 40 °C
電池充電啟動溫度	-10 °C ... 45 °C

5 操作

5.1 工作場所的準備工作



警告

有受傷的風險！因意外啟動

- ▶ 置入電池前，請確認產品已關閉。
- ▶ 在調整機具或變更配件前請先將電池拆下。

請遵守本文件中與產品上的安全說明和警告。

5.1.1 安裝側向握把

1. 旋轉握把以鬆開側向握把夾緊帶。
2. 將側向握把夾緊帶由前方繞過夾頭，然後推入提供的凹槽中。



3. 將側向握把轉至需要的位置。
4. 旋轉握把以鎖緊側向握把夾緊帶。

5.1.2 安裝電池

1. 將電池從後方推入機具的電池介面中，直到聽見咬合聲為止。
2. 請檢查電池是否安裝牢固。

5.1.3 卸下電池

1. 按下電池上的兩顆拆卸鈕。
2. 將電池向後方取出。

5.1.4 安裝配件工具

1. 在配件工具的連接頭添加少量的潤滑劑。
 - ▶ 限使用Hilti提供的建議潤滑劑。使用錯誤的潤滑劑會造成機具損壞。
2. 盡可能將配件推入夾具內，直到咬合為止。
3. 裝上配件工具後，請將其抓住並拉動以確認是否已咬合至定位。
 - ▶ 產品已可以使用。

5.1.5 卸下配件

注意

配件工具造成受傷的危險！配件工具可能會非常燙或是有尖銳的邊緣。

- ▶ 請在更換配件工具時戴上防護手套。
- ▶ 將夾頭環拉回直到卸下配件工具為止。

5.1.6 安裝深度計 (選配)

1. 旋轉握把以鬆開側向握把夾緊帶。
2. 將深度計從前方推入的提供的兩個定位引導孔內。
3. 旋轉握把以鎖緊側向握把夾緊帶。

5.2 工作類型

注意

有損壞的危險 因處理錯誤！

- ▶ 操作時，請勿使用旋轉方向和 / 或功能選擇開關。

請遵守本文中與產品上的安全說明和警告。

5.2.1 旋轉方向

- ▶ 設定旋轉方向。
 - ▶ 選擇開關會咬合在這個位置。

5.2.2 無鉋擊鑽孔

- ▶ 將功能選擇開關設定至本符號：

5.2.3 鉋擊鑽孔

- ▶ 將功能選擇開關設定至本符號：

6 維護和保養

6.1 維護及保養

警告

電池裝入時有受傷的危險！

- ▶ 進行維護及保養前，請務必卸下電池！



產品保養

- 小心地清除頑強的髒污。
- 若有，請使用乾燥的軟刷子小心地清潔通風口。
- 僅可使用微濕的軟布清潔機殼。請勿使用含矽膠的清潔或亮光劑，因為可能會造成塑膠零件損壞。
- 請使用乾淨的乾布清潔產品的接點。

鋰電池的保養

- 通風口堵塞時請勿使用電池。請使用乾燥的軟刷子小心地清潔通風口。
- 請避免電池暴露在粉塵或髒污的環境之中。請勿讓電池接觸過高的濕氣（例如：浸入水中或淋雨）。電池若濕透，請將該電池視為已受損。請將電池隔絕在不可燃的容器內，並洽詢Hilti維修中心。
- 避免電池沾上油脂。避免讓電池上積聚粉塵或髒污。請使用乾燥的軟刷或乾淨的乾布清潔電池。請勿使用含矽膠的清潔或亮光劑，因為可能會造成塑膠零件損壞。
請勿觸摸電池的觸點或從觸點上去除出廠塗敷的油脂
- 僅可使用微濕的軟布清潔機殼。請勿使用含矽膠的清潔或亮光劑，因為可能會造成塑膠零件損壞。

維護

- 定期檢查外部零件和控制元件有無損壞跡象，並確認它們運作正常。
- 如果有損壞跡象或任何零件功能故障，請不要操作本產品。請立即將產品交付Hilti維修中心進行維修。
- 清潔及保養後，裝上所有防護套或保護裝置並檢查功能是否正常。



為確保操作的安全及可靠性，請務必使用原廠Hilti備件與耗材。您可以在Hilti Store或在以下網站選購Hilti認可的備用零件、耗材和配件：www.hilti.group

6.2 清潔防塵套

- ▶ 定期使用乾燥而清潔的布清潔夾頭上的防塵套。
- ▶ 請小心擦拭清潔其密封口，然後再稍微上Hilti潤滑油。
- ▶ 請特別注意，若密封口受到損壞，一定要更換防塵套。

7 搬運和貯放

7.1 充電式機具和電池的運輸與存放

搬運

注意

搬運時意外啟動！

- ▶ 搬運產品時務必卸下電池！
- ▶ 取出電池。
- ▶ 切勿散裝運輸電池。運送過程中，應保護電池避免衝擊與震動並與導電物質或其他電池隔離，以免因與電池端子接觸而造成短路。請遵守您所在地當地的電池運輸規範。
- ▶ 請勿以郵寄方式遞送電池。若要運送未損壞之電池，請洽詢運送服務商。
- ▶ 每次使用前以及長途運輸前後請檢查本產品和電池是否受損。

設備的貯放

警告

瑕疵或漏液的電池所造成的意外損害！

- ▶ 存放產品時，一律不可插入電池！
- ▶ 請將本產品和電池存放在陰涼及乾燥處。請遵守技術性數據中所規定的溫度極限值。
- ▶ 請勿將電池貯放在充電器中。完成充電程序後，請將電池從充電器取出。
- ▶ 請勿將電池存放在有日光直射處、熱源上或玻璃後方。
- ▶ 請將本產品和電池存放在兒童或未授權人員無法觸及的地點。
- ▶ 每次使用前以及長時間存放前後請檢查本產品和電池是否受損。

8 故障排除

8.1 故障排除

若您遇到未列出的問題或是無法自行排除的問題，請聯絡Hilti維修中心。



8.2 旋轉鎚不能正常運作

故障	可能原因	解決方法
LED無顯示。	電池沒有完全置入。	▶ 壓下電池直到聽見咬合時發出的兩聲喀啦聲。
	電池已放電。	▶ 更換電池，並對無電量的電池再次充電。
1個LED閃爍。	電池已放電。	▶ 更換電池，並對無電量的電池再次充電。
	該電池過熱或過冷。	▶ 將電池置於建議操作溫度環境內。
4個LED閃爍。	旋轉鎚已暫時過載。	▶ 鬆開控制開關，接著再按一次。

8.3 旋轉鎚能正常運作

故障	可能原因	解決方法
無鎚擊動作。	旋轉鎚溫度太低。	▶ 讓鑽頭尖端與工作面接觸，開啟旋轉鎚使之旋轉。如果需要，請重複此程序直到鎚擊機制開始運作。
	將功能選擇開關設定至「無鎚擊鑽孔」	▶ 將功能選擇開關設定至「鎚擊鑽孔」
	旋轉鎚已設定成逆轉。	▶ 將正轉 / 逆轉選擇開關移至「正轉」位置。
控制開關無法按下，意即開關鎖住。	正轉 / 逆轉開關位於中間位置。	▶ 將正轉 / 逆轉開關推向右邊或左邊。
驅動軸未旋轉。	已超過旋轉鎚容許之操作溫度。	▶ 讓旋轉鎚冷卻。
	電池已放電。	▶ 更換電池，並對無電量的電池再次充電。
旋轉鎚自動關閉。	過載斷電保護系統已啟動。	▶ 鬆開控制開關。讓旋轉鎚冷卻。再次按下控制開關。減少機具上的負載。
電池較一般電池壽命短。	周遭環境溫度極低。	▶ 將電池放在室溫下緩慢升溫。
電池咬合時沒有發出兩聲「喀啦」聲。	電池上的卡榫太髒。	▶ 清潔卡榫並重新安裝電池。
旋轉鎚或電池溫度極高。	電力故障。	▶ 立刻關閉旋轉鎚。請取下電池並置於可隨時觀察的位置。待其冷卻後。聯絡Hilti維修中心。
	旋轉鎚已過載（超過使用極限）。	▶ 選擇適用的機具。
彈圈夾具無法鬆開。	夾頭未完全拉回。	▶ 將夾頭拉回直到移除配件工具為止。
機具無法繼續作業。	旋轉鎚已設定成逆轉。	▶ 將正轉 / 逆轉選擇開關移至「正轉」位置。
	將功能選擇開關設定至「無鎚擊鑽孔」	▶ 將功能選擇開關設定至「鎚擊鑽孔」

9 廢棄設備處置



警告

不當的廢棄物處理可能導致人員受傷！洩漏出來的氣體或液體有害健康。

- ▶ 請勿以郵寄方式寄送電池。
- ▶ 將電池端子上蓋上不導電物質（例如絕緣膠帶）以避免短路。
- ▶ 請將電池棄置於兒童無法觸及的地方。
- ▶ 請將該電池送交Hilti Store處理或洽詢權責的廢棄處理公司。



Hilti 產品所採用的材料大部分均可回收再利用。材料在回收前必須正確地分類。Hilti 在許多國家都有提供老舊機具回收服務。請洽詢 Hilti 客服中心或您在地的經銷商。



- ▶ 請勿將機具、電子設備或電池當作一般家用廢棄物處理！

10 RoHS (有害物質限制指令)

按一下本連結可前往危險物質表：qr.hilti.com/r3159232。
您可在文件最後找到QR碼格式的RoHS表連結。

11 製造商保固

- ▶ 如果您對於保固條件有任何問題，請聯絡當地 Hilti 代理商。

Hilti Taiwan Co., Ltd.

4/F, No. 2 Jen Ai Road, Sec. 2, Taipei, 10060 Taiwan

Tel. +886 2 2357 9090

原版操作說明

1 文档信息

1.1 关于该文档

- 首次操作或使用前，请先阅读本文档。这是安全、无故障地操作和使用产品的前提条件。
- 请遵守本档中以及产品上的安全说明和警告。
- 请务必将本操作说明与本产品保存在一起，确保将操作说明随产品一起交给他人。

1.2 使用符号的说明

1.2.1 警告

警告是为了提醒您在处理或使用此产品时会发生的危险。使用以下信号词：



危险！

- ▶ 用于让人们能够注意到会导致严重身体伤害或致命的迫近危险。



警告！

- ▶ 用于提醒人们注意可能导致严重或致命伤害的潜在危险。



小心！

- ▶ 用于提醒人们注意可能造成人身伤害、设备损坏或其他财产损失的潜在危险情况。

1.2.2 文档中的符号

本文档中使用下列符号：



请在使用之前阅读操作说明。



使用说明和其他有用信息



处理可回收材料



不得将电气设备和电池作为生活垃圾处置



1.2.3 图示中的符号

图示中使用了下列符号：

	这些编号指本操作说明开始处的相应图示。
3	图示中的编号反映操作顺序，可能与文本中描述的步骤不同。
	概览图示中使用了项目参考号，该参考号指的是产品概览部分中使用的编号。
	这些符号旨在提醒您在操作本产品时要特别注意的某些要点。

1.3 与产品相关的标志

1.3.1 产品使用的标志

产品使用的符号如下：

	不通过锤击作用钻孔
	通过锤击作用钻孔 (锤击钻孔)
	正向/反向
	保护等级 II (双重绝缘)
n_0	无负荷下的额定转速
	直流电 (DC)
Li-Ion	锂离子电池
	使用 Hilti 锂离子电池类型系列。请遵守“预期用途”一章中所述信息。
	切勿将电池用作敲击工具。
	请勿让电池掉落。切勿使用受到撞击或有任何损坏的电池。
	电动工具支持近场通信 (NFC) 技术，兼容 iOS 和安卓平台。

1.4 产品信息

产品经设计适用于专业用户，只有经过专门训练的授权人员才允许操作、维修和维护本产品。必须将任何可能的危险专门告知该人员。不按照说明使用或由未经培训的人员不正确地使用本产品及其辅助设备可能会带来危险。

型号名称和序列号印在铭牌上。

- 在下表中填写序列号。在联系 Hilti 维修中心或当地 Hilti 机构询问产品时，将要求您提供产品的详细信息。

产品信息

旋转电锤	TE 4-A22
分代号	02
序列号	

1.5 符合性声明

按照我们单方面的责任，我们声明本产品符合下列适用指令和标准：一致性声明副本位于本文档结尾处。技术文档的存档和存放位置为：

Hilti Entwicklungsgesellschaft mbH | Tool Certification | Hiltistraße 6 | 86916 Kaufering, DE



2.1 一般电动工具安全警告

警告

请阅读所有安全警告和操作说明。不遵守安全警告和操作说明可能会导致电击、火灾和/或严重人身伤害。请保存所有安全警告和操作说明，以供将来参考。

工作区域安全

- ▶ 保持工作区域清洁和良好照明。杂乱和黑暗的区域容易导致事故。
- ▶ 不要在爆炸性环境中操作电动工具，例如有易燃液体、气体或灰尘。电动工具会产生可以点燃这些灰尘或烟雾的火花。
- ▶ 在操作电动工具时，要令儿童和旁观者远离工作现场。万一分心，可能会使您失去对电动工具的控制。

电气安全

- ▶ 避免人体接触接地表面，如管道、散热片和冰箱。如果您的身体接地，则会增加电击危险。
- ▶ 不要将电动工具暴露在雨水或潮湿环境中。电动工具进水将会增加电击危险。

人身安全

- ▶ 保持警觉，注意您正在进行的工作，并在操作电动工具的过程中，应利用自己的判断能力。当您疲劳或受到药物、酒精或医疗影响时，请不要使用电动工具。当操作电动工具时，瞬间的分心都可能导致严重的人身伤害。
- ▶ 使用个人防护装备。一定要戴上护目装置。防尘罩、防滑安全鞋、安全帽或用于适当情况下的听觉防护装置等防护装备可减少人身伤害。
- ▶ 防止电动工具意外启动。在连接电池组、拿取或运送工具前，确保开关处于关闭位置。将手指放在开关上搬运电动工具或在开关处于“打开”位置时接通电源，都可能会导致事故发生。
- ▶ 在打开电动工具之前，必须拿掉任何调整键或扳手。让扳手或调整键留在电动工具的旋转部件上可能会导致人身伤害。
- ▶ 不要操之过急。应时刻保持正确的站姿和平衡。这在意外情况下能够更好地控制电动工具。
- ▶ 应正确穿着。不要穿着松垮的衣服或佩戴首饰。让头发、衣服和手套远离运动部件。松垮的衣服、首饰或长发会卡在运动部件中。
- ▶ 如果提供有用于连接除尘和集尘设施的装置，应确保将它们连接好并正确使用。使用除尘装置可以减少与灰尘相关的危险。

电动工具的使用和维护

- ▶ 不要强制使用电动工具。针对您的应用场合使用正确的电动工具。正确的电动工具在其额定设计值范围内将能够更好和更安全地工作。
- ▶ 如果通过开关不能使其打开和关闭，则请不要使用电动工具。任何不能通过开关进行控制的电动工具都是危险的，必须对其进行修理。
- ▶ 在进行调整、更换配件或存放电动工具之前，必须将电池组与电动工具断开。此预防性安全措施可减少意外启动电动工具的危险。
- ▶ 将不用的电动工具存放在儿童拿不到的地方，并且不要让不熟悉电动工具或其操作说明的人员操作电动工具。未经培训的用户操作电动工具是危险的。
- ▶ 维护电动工具。检查是否存在运动部件失调或卡滞、部件断裂和任何其它影响电动工具操作的情况。如果存在损坏，则在使用之前应修理电动工具。许多事故都是由于电动工具维护不良造成的。
- ▶ 保持切削工具锋利和清洁。带锋利切削刃的切削工具如果维护得当，很少会发生卡滞且更容易控制。
- ▶ 按照使用说明书，考虑作业条件和进行的作业来使用电动工具、附件和工具的刀头等。将电动工具用于指定用途以外的场合会导致危险。

无绳 (电池操作) 工具/设备的使用和维护

- ▶ 充电时只能使用制造商指定的充电器。适合某种类型电池组的充电器如果被用于为另一类型电池组充电，则可能会带来火灾危险。
- ▶ 只能使用专用电池组为电动工具供电。使用任何其它电池组可能会带来人身伤害和火灾。
- ▶ 当电池组不用时，应使其远离其它金属物体，例如纸夹、硬币、钥匙、钉子、螺钉或其它小的金属物体，以免造成短路。如果电池端子被短路，则会造成人员烧伤或火灾。
- ▶ 如果持续滥用电池，则可能会造成液体从电池中喷射出来；注意避免接触到液体。如果意外接触到液体，应用水冲洗。如果液体接触眼睛，除了用大量清水冲洗外，还应立即就医。从电池中喷射出来的液体会导致疼痛或灼伤。

保养

- ▶ 将您的电动工具送交专业维修人员，使用同样的备件进行修理。这样才可确保维持电动工具 (设备) 的安全性。



2.2 电锤的附加安全说明

人身安全

- ▶ 只有产品和附件处于良好的技术状态时才能使用。
- ▶ 切勿以任何方式擅自改动或改装本产品或附件。
- ▶ 请使用随产品提供的辅助手柄。对工具失去控制可能会导致人身伤害。
- ▶ 当执行需要穿透的作业时，在工件对侧采取适当的安全措施。被钻下的工件部分可能会弹出或掉落并伤害到其他人。
- ▶ 应始终用双手通过提供的手柄稳稳握住产品。保持手柄清洁干燥。
- ▶ 如果配套工具的工作区域可能接触到隐藏的线束，只能握住本产品的绝缘手柄表面进行操作。如果配套工具接触到带电电线，电动工具的金属部件也将带电，从而导致电击。
- ▶ 请勿触摸旋转部件 - 人身伤害危险！
- ▶ 使用该产品时，请佩戴护目镜、安全帽、护耳装置和适当的呼吸防护装置。
- ▶ 在更换配套工具时戴上防护手套。触碰配套工具会导致割伤和烫伤。
- ▶ 请戴上护目装置。飞溅的碎片会导致身体和眼睛受伤。
- ▶ 磨削、抛光、切割和钻孔过程中产生的粉尘可能包含有害化学物质。一些例子包括：铅或铅基涂料；砖、混凝土、其他砖石产品、天然石材和其他含硅酸盐的产品；一些木材，例如橡木、山毛榉和化学处理过的木材；石棉或含石棉的材料。根据所处理材料的危险等级，确定操作员和附近人员的暴露程度。采取必要的措施将暴露保持在安全水平内，例如使用集尘系统或佩戴适当的呼吸防护装置。减少暴露的一般措施包括：
 - ▶ 在通风良好的区域进行操作，
 - ▶ 避免长时间接触粉尘，
 - ▶ 清除脸部和身上的粉尘，
 - ▶ 穿着防护服并用肥皂和水清洗暴露的部位。
- ▶ 适当休息并活动手指，以改善手指的血液循环。工作期间长时间暴露于强烈振动环境中可能导致手指、手掌和手腕部位血管和神经系统紊乱。

电气安全

- ▶ 开始工作前，检查工作区域是否有隐蔽的电缆或天然气和水管。如果电缆、燃气管或水管有损坏，则产品的外部金属部件可能会导致电击或爆炸。

谨慎操作和使用电动工具

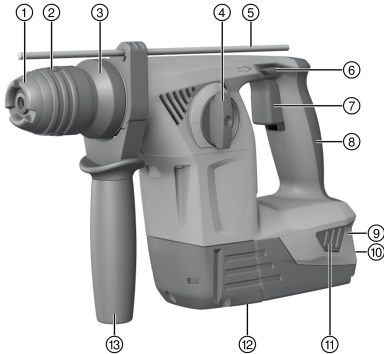
- ▶ 如果配套工具卡住，应立即关闭本产品。本产品可能会跑偏并转向一侧。
- ▶ 等待产品完全停止后再将其放下。

2.3 小心处理和使用电池

- ▶ 遵守适用于锂离子电池的运输、存放和使用的专用指南。
- ▶ 不要将电池暴露在高温、直射阳光或明火环境下。
- ▶ 请勿拆开、挤压或烧毁电池，不要让它们暴露在超过 80°C (176°F) 的高温下。
- ▶ 如果电池受到过物理冲击、从高处跌落过或表现出损坏迹象，则不得使用电池或为其充电。在这种情况下，请务必联系您的 Hilti 维修中心。
- ▶ 如果电池发热烫手，则可能有故障。请将电池放在醒目且无火灾风险的地方，并与易燃物品保持足够距离。让电池自行冷却。如果一小时后电池仍然发热烫手，则表示存在故障。联系 Hilti 维修中心。



3.1 部件、操作控制器和指示灯



- ① 防尘罩
- ② 夹头
- ③ 配套工具释放
- ④ 功能选择开关
- ⑤ 深度计
- ⑥ 前进/后退选择开关, 带安全锁
- ⑦ 控制开关
- ⑧ 把手
- ⑨ 电池
- ⑩ 充电状态和故障显示 (锂离子电池)
- ⑪ 电池释放按钮
- ⑫ 用于 TE DRS-4-A(01) 除尘模块的接头
- ⑬ 侧面手柄

3.2 预期用途

所述产品为用电池供电的旋转电锤。它设计用于对混凝土和砖石进行锤击钻孔, 对钢、木材和砖石钻孔以及敲入和拔出螺钉。

- 使用本产品仅限使用 Hilti B22 系列锂离子电池。
- 此类电池仅限使用 Hilti 认可的充电器充电。更多信息可访问 **Hilti Store** 或 www.hilti.group

3.3 锂离子电池状态显示

使用锂离子电池时, 可通过按下其中一个电池释放按钮显示充电状态。

状态	含义
4 个 LED 亮起。	充电状态 : 75% 至 100%
3 个 LED 亮起。	充电状态 : 50% 至 75%
2 个 LED 亮起。	充电状态 : 25% 至 50%
1 个 LED 亮起。	充电状态 : 10% 至 25%
1 个 LED 闪烁。	充电状态 : < 10%

当电动工具在使用时或在刚使用完之后, 不会指示充电状态。若电池充电状态 LED 闪烁, 请参考故障排除章节中的信息。

3.4 供应的部件

旋转电锤、侧面手柄、深度计、操作说明。

TE DRS-4-A (01) 除尘模块可大大减少粉尘排放, 以配件形式提供。

经批准可以与本产品搭配使用的其它系统产品, 可以在您当地的 www.hilti.group 购买或访问 **Hilti Store** 在线订购



4 技术数据

4.1 旋转电锤

	TE 4-A22
符合 EPTA Procedure 01 要求的重量 (包括 B22/8.0 电池)	3.9 kg
单次冲击能量 (按照 EPTA 标准 05/2009)	2 J
混凝土/砖石建筑的钻孔直径范围 (锤击钻孔)	4 mm ... 28 mm
在木材 (软质) 中的钻孔直径范围	3 mm ... 20 mm
金属钻孔直径范围 (实心钻头)	3 mm ... 10 mm

4.2 噪声信息和振动值

这些说明中给出的声压和振动值是按照标准化测试进行测量的，可用于比较一个电动工具与另一个电动工具。它们还可用于初步评价受振动影响的程度。提供的数据代表本电动工具的主要应用场合。但是，如果将电动工具用于不同的应用场合、使用不同的配套工具或维护不良，则数据可能不同。这可能会显著增加操作者在整个工作期间受振动影响的程度。对受振动影响程度的准确估计还应考虑当关闭电动工具或当它运行但实际未进行工作时情况。这可能会显著减小操作者在整个工作期间受振动影响的程度。此外，应确定附加安全措施，以保护操作者免受噪音和/或振动影响，例如：正确维护电动工具和配件、使双手保持温暖、合理安排工作模式。

按照 EN 60745 标准确定的噪声排放值

声 (功率) 级 (L_{WA})	99 dB(A)
声功率级的不确定性 (K_{WA})	3 dB(A)
排放声压级 (L_{pA})	88 dB(A)
声压级的不确定性 (K_{pA})	3 dB(A)

总振数值 (按照 EN 60745 标准)

在混凝土中锤击钻孔 ($a_{h, HD}$)	11 m/s ²
不确定度 (K)	1.5 m/s ²

4.3 电池

电池工作电压	21.6 V
工作环境温度	-17 °C ... 60 °C
存放温度	-20 °C ... 40 °C
电池充电起始温度	-10 °C ... 45 °C

5 操作

5.1 工作现场的准备工作



- 警告 -

人身伤害的危险！意外启动的风险！

- ▶ 插入电池前，确保已关闭产品。
- ▶ 对电动工具执行任何调节或更换配件前，先取出电池。

请遵守本文档中以及产品上的安全说明和警告。

5.1.1 安装侧面手柄

1. 通过转动手柄握柄释放侧面手柄夹紧带。
2. 将侧面手柄夹紧带越过夹头从前面滑入提供的凹槽中。
3. 将侧面手柄调整到期望的位置。
4. 通过转动手柄握柄紧固侧面手柄夹紧带。

5.1.2 安装电池

1. 将电池推入工具上的电池接口，直至听见接合的“咔哒”声。



2. 检查并确认电池已可靠就位。

5.1.3 拆下电池

1. 按下电池上的释放按钮。
2. 朝看后部拉出电池。

5.1.4 安装配套工具

1. 在配套工具的连接端涂抹少量润滑脂。
 - ▶ 请仅使用 Hilti 提供的推荐润滑脂。使用错误的润滑脂可能会导致工具损坏。
2. 将配套工具推入夹头中并推到底 (直至它接合)。
3. 安装配套工具后, 请务必握住并拉动它, 确认其已可靠接合。
 - ▶ 本产品处于备用状态。

5.1.5 拆卸配件工具



配套工具有导致人身伤害的危险! 配套工具可能会发烫或边缘很锋利。

- ▶ 更换配套工具时, 戴上防护手套。

- ▶ 将工具锁止装置向后拉到底, 然后取出配套工具。

5.1.6 安装深度计 (选装)

1. 通过转动手柄握柄释放侧面手柄夹紧带。
2. 将深度计从前面滑入提供的两个导向孔中。
3. 通过转动手柄握柄紧固侧面手柄夹紧带。

5.2 工作类型



操作不正确会带来损坏风险!


- ▶ 不得在运行期间操作旋转方向和/或功能选择开关。

请遵守本文档中以及产品上的安全说明和警告。


5.2.1 旋转方向

- ▶ 设置旋转方向。
 - ▶ 选择开关在该位置接合。

5.2.2 不带锤击作用的钻孔

- ▶ 将功能选择开关设置到该符号: 

5.2.3 锤击钻孔

- ▶ 将功能选择开关设置到该符号: 

6 维护和保养

6.1 维护和保养



插入电池时存在人身伤害危险!

- ▶ 执行维护和保养任务之前, 请务必先取出电池。

工具的保养

- 请小心地清除顽固污渍。
- 用干燥的软毛刷 (若有) 小心地清洁通风槽。
- 请仅使用微湿的抹布清洁外壳。不要使用含硅清洁剂, 否则可能腐蚀塑料件。
- 用干燥干净的布清洁产品触点。



锂离子电池的保养

- 切勿使用通风槽堵塞的电池。用干燥的软毛刷小心地清洁通风槽。
- 避免不必要地将电池暴露在粉尘或污垢中。切勿将电池暴露在高湿度的环境中 (例如将其浸在水中或放在雨中)。
如果电池浸湿, 请如处理损坏的电池那样对其进行处理。将其隔离在不可燃的容器中, 然后联系 Hilti 维修中心。
- 确保电池远离外来油脂。切勿让不必要的粉尘或脏污积聚在电池上。用干燥的软毛刷或干燥干净的布清洁电池。不要使用含硅清洁剂, 否则可能腐蚀塑料件。
不要触摸电池触点, 不要清除出厂时涂抹在触点上的油脂。
- 请仅使用微湿的抹布清洁外壳。不要使用含硅清洁剂, 否则可能腐蚀塑料件。

维护

- 定期检查所有可见部件和控制器是否出现损坏迹象, 确保其全部正常工作。
- 如果发现损坏迹象或如果有部件发生故障, 不要操作本产品。立即将本产品交由 Hilti 维修中心修复。
- 清洁和维护之后, 安装所有护板或保护装置, 检查并确认其正常工作。



为确保安全和可靠的操作, 仅限使用 Hilti 原装部件和消耗品。经 Hilti 许可可与产品搭配使用的备件、消耗品和配件可到您当地的 Hilti Store 购买或访问: www.hilti.group

6.2 清洁防尘罩

- ▶ 使用干燥、干净的抹布定期清洁夹头上的防尘罩。
- ▶ 小心地擦拭密封唇以对其进行清洁, 然后再次用 Hilti 润滑脂轻轻地对其进行润滑。
- ▶ 当密封唇损坏时, 必须更换防尘罩。

7 运输和存放

7.1 电池型工具和电池的运输及存储

运输

-小心-

运输途中的意外启动!

- ▶ 运输产品前务必将电池取出!
- ▶ 取下电池。
- ▶ 切勿松散、未加保护地运输电池。在运输过程中, 应保护电池免受过度冲击或振动影响, 并将其与任何导电材料或其它电池分开 (因为它们可能会接触到电池端子并导致短路)。请遵守当地的电池运输规定。
- ▶ 请勿以邮寄方式运送电池。有关如何运送完好电池的说明, 请咨询您的发货商。
- ▶ 每次使用前以及长时间运输前后都要检查产品和电池是否损坏。

存放

-警告-

故障或泄漏的电池会导致意外损坏!

- ▶ 仅可在未插入电池的情况下存放产品!
- ▶ 请将产品和电池存放于凉爽干燥的地方。请遵守技术数据中规定的温度极限值。
- ▶ 请勿将电池存放在充电器中。充电过程结束后请始终将电池从充电器中取出。
- ▶ 切勿将电池存放在阳光下、热源上或玻璃后。
- ▶ 请将本产品 and 电池存放在儿童或非授权人员无法接近的位置。
- ▶ 每次使用前以及长时间存放前后都要检查产品和电池是否损坏。

8 故障排除

8.1 故障排除

如果您碰到的问题未在此表中列出或您无法自己实施补救措施, 请联系 Hilti 服务部门。



8.2 旋转电锤不正常工作

故障	可能原因	解决方案
LED 无指示。	电池未完全插入。	▶ 推入电池，直到听到其接合的双咔嗒声。
	电池放电。	▶ 更换电池，并对已放电电池充电。
1 个 LED 闪烁。	电池放电。	▶ 更换电池，并对已放电电池充电。
	电池过热或过冷。	▶ 将电池调整至推荐的工作温度。
4 个 LED 闪烁。	旋转电锤已短时间过载。	▶ 释放控制开关，然后再次将其按下。

8.3 旋转电锤正常工作

故障	可能原因	解决方案
没有锤击作用。	旋转电锤过冷。	▶ 使钻头尖接触到工作面，打开旋转电锤并使其运转。必要时，重复该步骤，直到锤击机构开始工作。
	功能选择开关设置在“不通过锤击作用钻孔”位置  。	▶ 将功能选择开关设置到“锤击钻孔”位置  。
	旋转电锤已设置为反向旋转。	▶ 将前进/后退选择开关移至“向前”位置。
不能按下控制开关，即开关被锁止。	前进/后退开关处于中间位置。	▶ 向右或向左推动前进/后退开关。
驱动轴不旋转。	已超过旋转电锤电子装置的允许工作温度。	▶ 使旋转电锤冷却下来。
	电池放电。	▶ 更换电池，并对已放电电池充电。
旋转电锤自动自行关闭。	过载保护装置已启动。	▶ 释放控制开关。使旋转电锤冷却下来。再次按下控制开关。降低工具的负载。
电池比平常更快耗尽。	非常低的环境温度。	▶ 允许电池缓慢加热到室温。
未听到电池接合的“双咔嗒声”。	电池上的固定凸耳脏污。	▶ 清洁固定凸耳，然后重新安装电池。
旋转电锤或电池变得很热。	电气故障。	▶ 立即关闭旋转电锤。取出电池并仔细观察。使其冷却下来。与 Hilti 中心联系。
	旋转电锤已过载 (超过应用限制)。	▶ 选择适合其预期用途的工具。
无法释放插入工具。	夹头未完全向后拉回。	▶ 向后拉动夹头，直到拉不动为止，然后拆下配套工具。
电动工具不前进。	旋转电锤已设置为反向旋转。	▶ 将前进/后退选择开关移至“向前”位置。
	功能选择开关设置在“不通过锤击作用钻孔”位置  。	▶ 将功能选择开关设置到“锤击钻孔”位置  。

9 废弃处置




-警告-

废弃处理不当会有人身伤害的危险！漏出的气体或液体会带来健康危害。

- ▶ 不得通过邮寄方式发送任何电池。
- ▶ 用非导电材料 (比如绝缘带) 包住端子，以防止短路。
- ▶ 在儿童接触不到的地方处置电池。
- ▶ 请将电池送交 Hilti Store 处置，或咨询当地的废弃处理机构以获取处置说明。



 制造 Hilti 产品所用的大部分材料都可回收利用。在可以回收之前，必须正确分离材料。Hilti 在很多国家都提供旧工具回收服务。请咨询 Hilti 客户服务部门或您的销售顾问。



- ▶ 不得将电动工具、电子设备或电池作为生活垃圾处置！

10 RoHS (有害物质限制)

单击链接跳转至有害物质表：qr.hilti.com/r3159232。

文档末尾提供转至 RoHS 表的二维码链接。

11 制造商保修

- ▶ 如对保修条件有任何疑问，请联系您当地的 Hilti 代表。





EC Declaration of Conformity | UK Declaration of Conformity



Manufacturer:
Hilti Corporation
Feldkircherstraße 100
9494 Schaan | Liechtenstein

Importer:
Hilti (Gt. Britain) Limited
1 Trafford Wharf Road, Old Trafford
Manchester, M17 1BY

TE 4-A22 (02)

Serial Numbers: 1-9999999999

2006/42/EC | Supply of Machinery (Safety)
Regulations 2008

EN 60745-1:2009 +
A11:2010

EN 60745-2-6:2010

2014/30/EU | Electromagnetic Compatibility
Regulations 2016

EN 55014-1:2017 +
A11:2020

EN 55014-2:2015

2011/65/EU | The Restriction of the Use of
Certain Hazardous Substances in Electrical and
Electronic Equipment Regulations 2012

Dr. Tahar Zrilli
Head of Quality and Process Management
Business Area Electric Tools & Accessories

Schaan, 30.06.2021

Tassilo Deinzer
Executive Vice President
Business Unit Power Tools & Accessories





Hilti Corporation
LI-9494 Schaan
Tel.:+423 234 21 11
Fax:+423 234 29 65
www.hilti.group



2100246